

MK Diamond Products, Inc.
 1315 Storm Parkway
 Torrance, CA 90509-2803

SPECIFICATION SHEET			Date 09/31/21
MK Part Number 173148	MK Description MTR, 1-1/2HP 220V 50HZ	Revision -	
Manufacturer/Supplier P/N L3513-50	Manufacturer/Supplier Description MOTOR, 1.5HP, 2850RPM, 1PH, 50HZ, 56, 3532L, TEFC, F1		
Manufacturer Information ABB MOTORS AND MECHANICAL, INC.	Supplier Information ABB MOTORS AND MECHANICAL, INC.	Alternate Manufacturer NONE	
Specifications:			
			
Weight: 48.0lb			
<u>Replacement Parts</u>			
EC1645A06SP	ELEC CAP, 645-774 MFD, 125V, 2.06D X 4.		
36GS1000SP	GASKET-CONDUIT BOX, .06 THICK #SV-330 LE		
34FN3002A01SP	EXTERNAL FAN, PLASTIC, .637/.639 HUB W/		
35FH4005A32SP	IEC FH NO GRSR W/3 HOLES - PRIMED		
35CB4802A02SP	CAPACITOR COVER, STAMPED X		
Rev	Description	Date	Approved
-	INITIAL RELEASE, ECO# 2544	09/30/21	SMH

BALDOR® • RELIANCE 

Product Information Packet

L3513-50

1.5HP,2850RPM,1PH,50HZ,56,3532L,TEFC,F1

Part Detail							
Revision:	AG	Status:	PRD/A	Change #:		Proprietary:	No
Type:	AC	Elec. Spec:	35WGS159	CD Diagram:	CD0001	Mfg Plant:	
Mech. Spec:	35T944	Layout:	35LYT944	Poles:	02	Created Date:	06-22-2007
Base:	RG	Eff. Date:	07-27-2020	Leads:	4#16 A PH,2#18 B PH		

Specs			
Catalog Number:	L3513-50	Insulation Class:	F
Enclosure:	TEFC	Inverter Code:	Not Inverter
Frame:	56	KVA Code:	D
Frame Material:	Steel	Lifting Lugs:	No Lifting Lugs
Output @ Frequency:	1.500 HP @ 50 HZ	Locked Bearing Indicator:	No Locked Bearing
Synchronous Speed @ Frequency:	3000 RPM @ 50 HZ	Motor Lead Quantity/Wire Size:	4 @ 16 AWG, A PH
Voltage @ Frequency:	220.0 V @ 50 HZ	Motor Lead Exit:	Ko Box
	110.0 V @ 50 HZ	Motor Lead Termination:	Flying Leads
XP Class and Group:	None	Motor Type:	3532L
XP Division:	Not Applicable	Mounting Arrangement:	F1
Agency Approvals:	UR	Power Factor:	84
	WEEE	Product Family:	General Purpose
	CSA	Pulley End Bearing Type:	Ball
	CE	Pulley Face Code:	Standard
Auxillary Box:	No Auxillary Box	Pulley Shaft Indicator:	Standard
Auxillary Box Lead Termination:	None	Rodent Screen:	None
Base Indicator:	Rigid	RoHS Status:	ROHS COMPLIANT
Bearing Grease Type:	Polyrex EM (-20F +300F)	Shaft Extension Location:	Pulley End

Product Information Packet: L3513-50 - 1.5HP,2850RPM,1PH,50HZ,56,3532L,TEFC,F1

Blower:	None	Shaft Ground Indicator:	No Shaft Grounding
Current @ Voltage:	18.000 A @ 110.0 V	Shaft Rotation:	Reversible
	9.000 A @ 220.0 V	Shaft Slinger Indicator:	No Slinger
Design Code:	L	Speed Code:	Single Speed
Drip Cover:	No Drip Cover	Motor Standards:	NEMA
Duty Rating:	CONT	Starting Method:	Direct on line
Electrically Isolated Bearing:	Not Electrically Isolated	Thermal Device - Bearing:	None
Feedback Device:	NO FEEDBACK	Thermal Device - Winding:	None
Front Face Code:	Standard	Vibration Sensor Indicator:	No Vibration Sensor
Front Shaft Indicator:	None	Winding Thermal 1:	None
Heater Indicator:	No Heater	Winding Thermal 2:	None

Nameplate NP1372L										
CAT.NO.	L3513-50									
SPEC.	35T944S159G1									
HP	1.5/1.12KW									
VOLTS	110/220									
AMP	18/9									
RPM	2850 1/MIN									
FRAME	56				HZ	50			PH	1
SER.F.	1.15				CODE	D		DES	L	
NEMA-NOM-EFF	68				PF	84			CL	F
RATING	40C AMB-CONT									
CC									USABLE AT 208V	
DE	6205				ODE	6203				
ENCL	TEFC				SN					
	IP54 IC411 22KG									

Parts List		
Part Number	Description	Quantity
SA109225	SA 35T944S159G1	1.000 EA
RA100720	RA 35T944S159G1	1.000 EA
EC1645A06SP	ELEC CAP, 645-774 MFD, 125V, 2.06D X 4.	1.000 EA
NS2512A01	INSULATOR, CONDUIT BOX X	1.000 EA
35CB3007	35 CB CASTING W/.88 DIA. LEAD HOLE	1.000 EA
36GS1000SP	GASKET-CONDUIT BOX, .06 THICK #SV-330 LE	1.000 EA
51XB1016A07	10-16 X 7/16 HXWSSLD SERTYB	2.000 EA
11XW1032G06	10-32 X .38, TAPTITE II, HEX WSHR SLTD U	1.000 EA
51XW0832A07	8-32 X .44, TAPTITE II, HEX WSHR SLTD SE	2.000 EA
35EP3122K00	MASTER ODE,203 BRG,.683SH,#26 DRN,FH MTG	1.000 EA
51XB1016A05	10-16X5/16HX WA SL SR TYB (F/S)	2.000 EA
HW5100A03	WAVY WASHER (W1543-017)	1.000 EA
35EP3123A00	MASTER DE,205 BRG,.998SH,#26 DRN	1.000 EA
XY1032A02	10-32 HEX NUT DIRECTIONAL SERRATION	4.000 EA
51XB1214A16	12-14X1.00 HXWSSLD SERTYB	1.000 EA
51XW1032A06	10-32 X .38, TAPTITE II, HEX WSHR SLTD S	3.000 EA
35CB4521GX	CONDUIT BOX LID KIT **ORDER INDIV PARTS	1.000 EA
51XW0832A07	8-32 X .44, TAPTITE II, HEX WSHR SLTD SE	4.000 EA
HW2501D13	KEY, 3/16 SQ X 1.375	1.000 EA
HA7000A04	KEY RETAINER 0.625 DIA SHAFTS	1.000 EA
85XU0407S04	4X1/4 U DRIVE PIN STAINLESS	2.000 EA
WD1000A16	2-520128-2 AMP FLAG TERM (4M/RL) 22-18	1.000 EA
MJ1000A02	GREASE, MOBIL POLYREX EM - 124047	0.050 LB
34FN3002A01SP	EXTERNAL FAN, PLASTIC, .637/.639 HUB W/	1.000 EA

Parts List (continued)		
Part Number	Description	Quantity
35FH4005A32SP	IEC FH NO GRSR W/3 HOLES - PRIMED	1.000 EA
MG1000G27	MED CHARCOAL METALLIC GREY 400-0096	0.017 GA
SP5051A24	MODEL 35 TORQ STATIONARY SWITCH FOR "L"	1.000 EA
HA3100A22	THRUBOLT 10-32 X 10.125	4.000 EA
35CB4802A02SP	CAPACITOR COVER, STAMPED X	1.000 EA
35GS3001A02	GASKET, CA.COVER, 5.38 LONG .06 CS301	1.000 EA
HA4067A01	PUSH IN DRAIN FITTING (BLACK)	1.000 EA
LC0001A01	CONN LABEL / WARNING LABEL (LC0001 / LB1	1.000 EA
NP1372L	ALUM UL CSA CE CC	1.000 EA
HA4067A01	PUSH IN DRAIN FITTING (BLACK)	1.000 EA
35PA1066	PKG GRP, PRINT PK1008A06	1.000 EA
FE-0000001	ZRTG FE ASSEMBLY	1.000 EA
MN416A01	TAG-INSTAL-MAINT no wire (1200/bx) 1/21	1.000 EA
PE-0000001	ZRTG PE ASSEMBLY	1.000 EA

Accessories		
Part Number	Description	Multiplier
35-8762	C FACE KIT	A8
35EP1506A01SP	D-FLANGE KIT	A8

AC Induction Motor Performance Data

Record # 36626

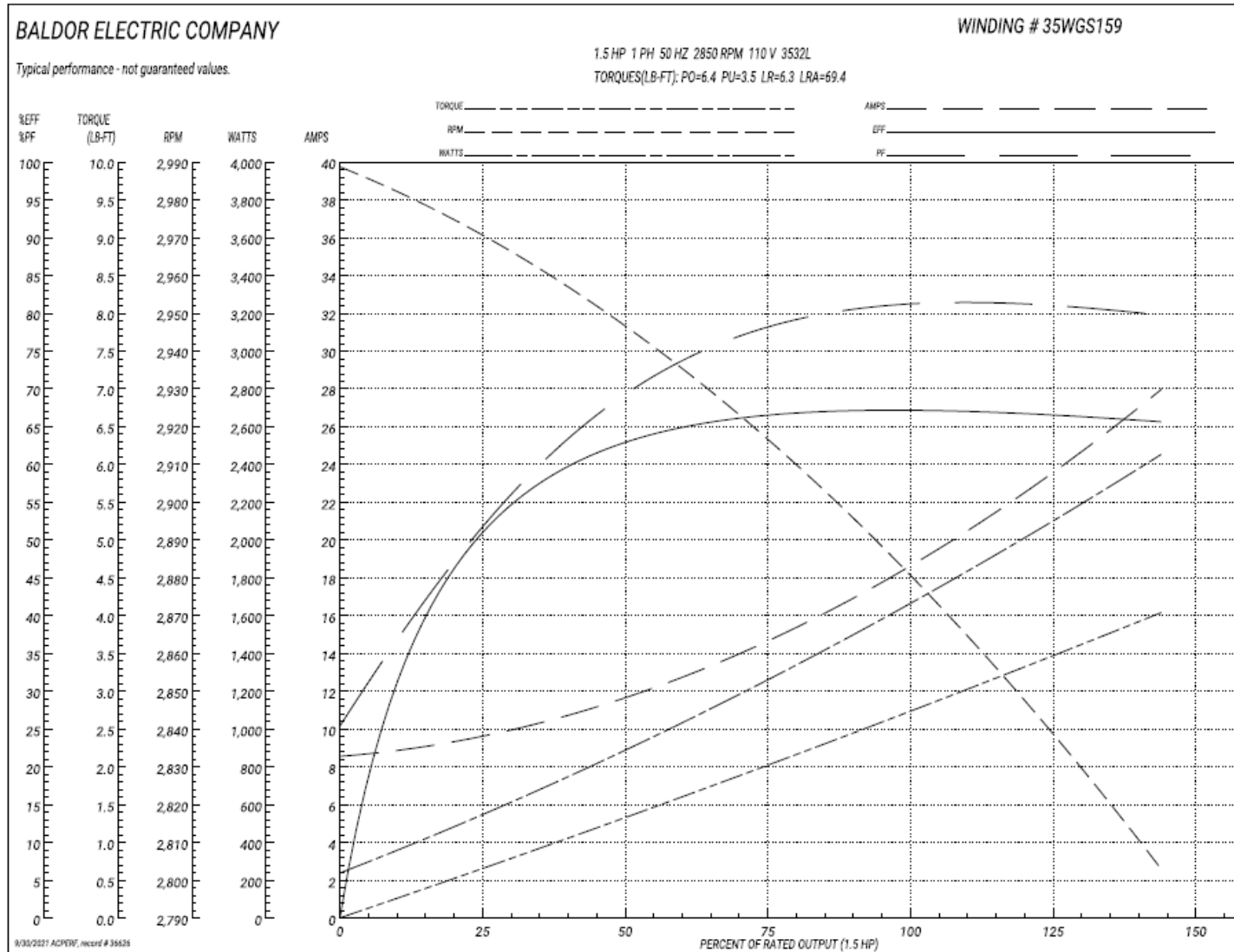
Typical performance - not guaranteed values

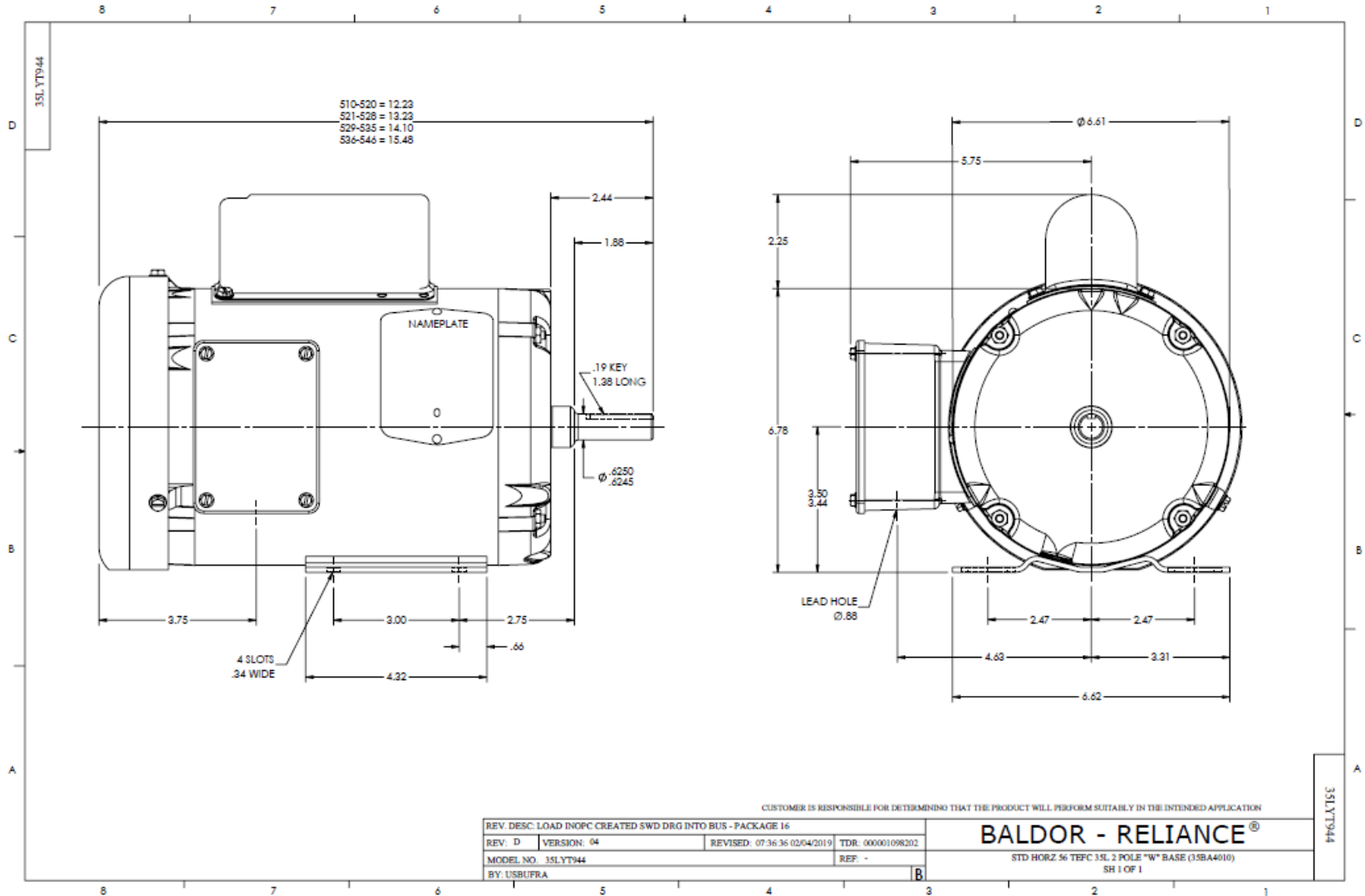
Winding: 35WGS159-R001		Type: 3532L		Enclosure: TEFC			
Nameplate Data			110 V, 50 Hz: Low Voltage Connection				
Rated Output (HP)	1.5	Full Load Torque	2.7 LB-FT				
Volts	110/220	Start Configuration	direct on line				
Full Load Amps	18/9	Breakdown Torque	6.4 LB-FT				
R.P.M.	2850	Pull-up Torque	3.5 LB-FT				
Hz	50 Phase	1	Locked-rotor Torque	6.3 LB-FT			
NEMA Design Code	L	KVA Code	D	Starting Current	69.4 A		
Service Factor (S.F.)	1.15		No-load Current	8.4 A			
NEMA Nom. Eff.	68	Power Factor	84	Line-line Res. @ 25°C	0.345 Ω A Ph 2.1 Ω B Ph		
Rating - Duty	40C AMB-CONT		Temp. Rise @ Rated Load	89°C			
S.F. Amps			Temp. Rise @ S.F. Load	104°C			

Load Characteristics 110 V, 50 Hz, 1.5 HP

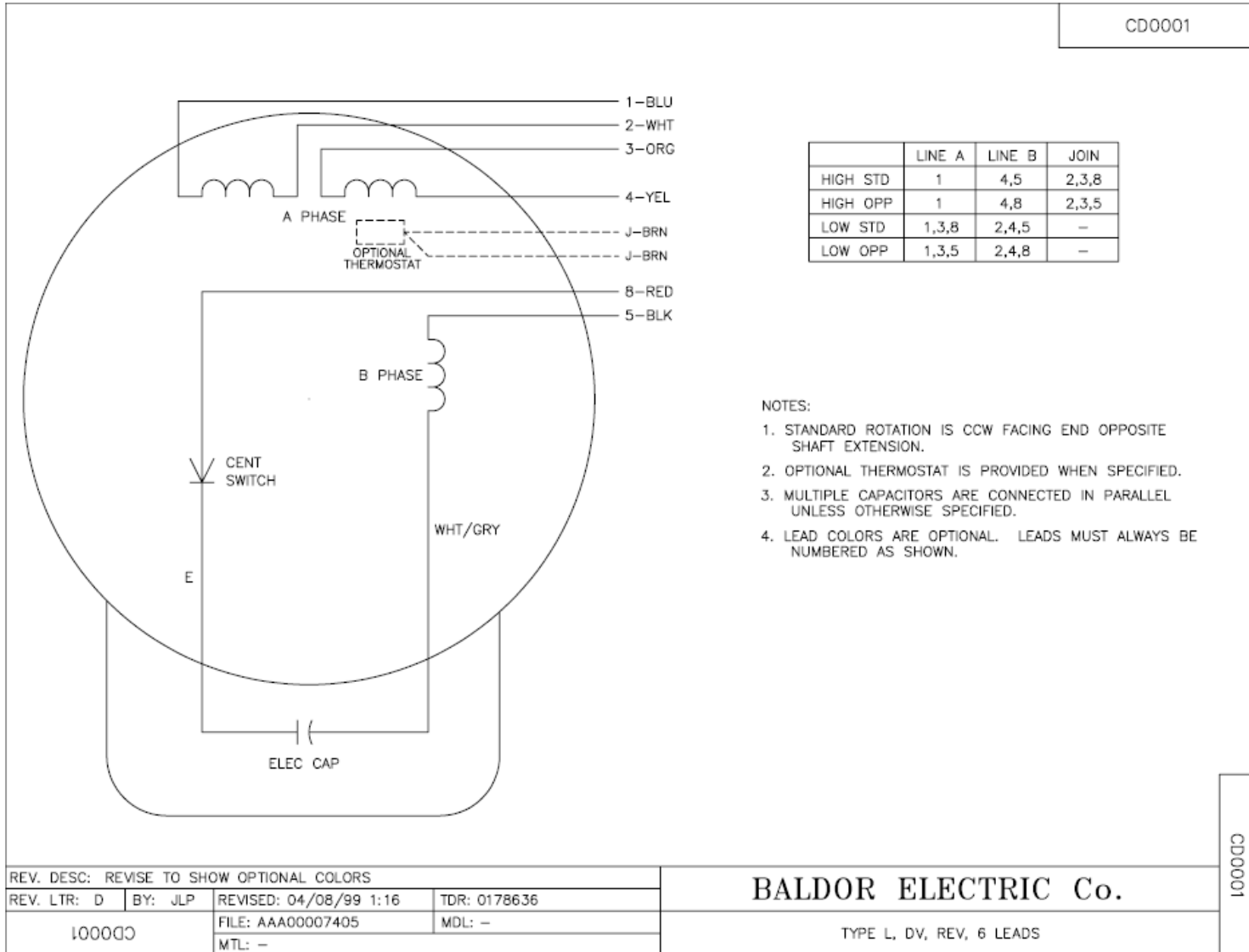
% of Rated Load	25	50	75	100	125	150	S.F.
Power Factor	57	66	77	82	83	79	83
Efficiency	48.3	61.9	66.9	68	67.4	65	67.6
Speed	2968	2944	2916	2885	2847	2800	2862
Line amperes	9.4	12.6	14.8	18	22.2	28.6	20.5

Performance Graph at 110V, 50Hz, 1.5HP Typical performance - Not guaranteed values





CD0001



REV. DESC: REVISE TO SHOW OPTIONAL COLORS			
REV. LTR: D	BY: JLP	REVISED: 04/08/99 1:16	TDR: 0178636
100000	FILE: AAA00007405	MDL: -	
	MTL: -		

BALDOR ELECTRIC Co.

TYPE L, DV, REV, 6 LEADS

CD0001