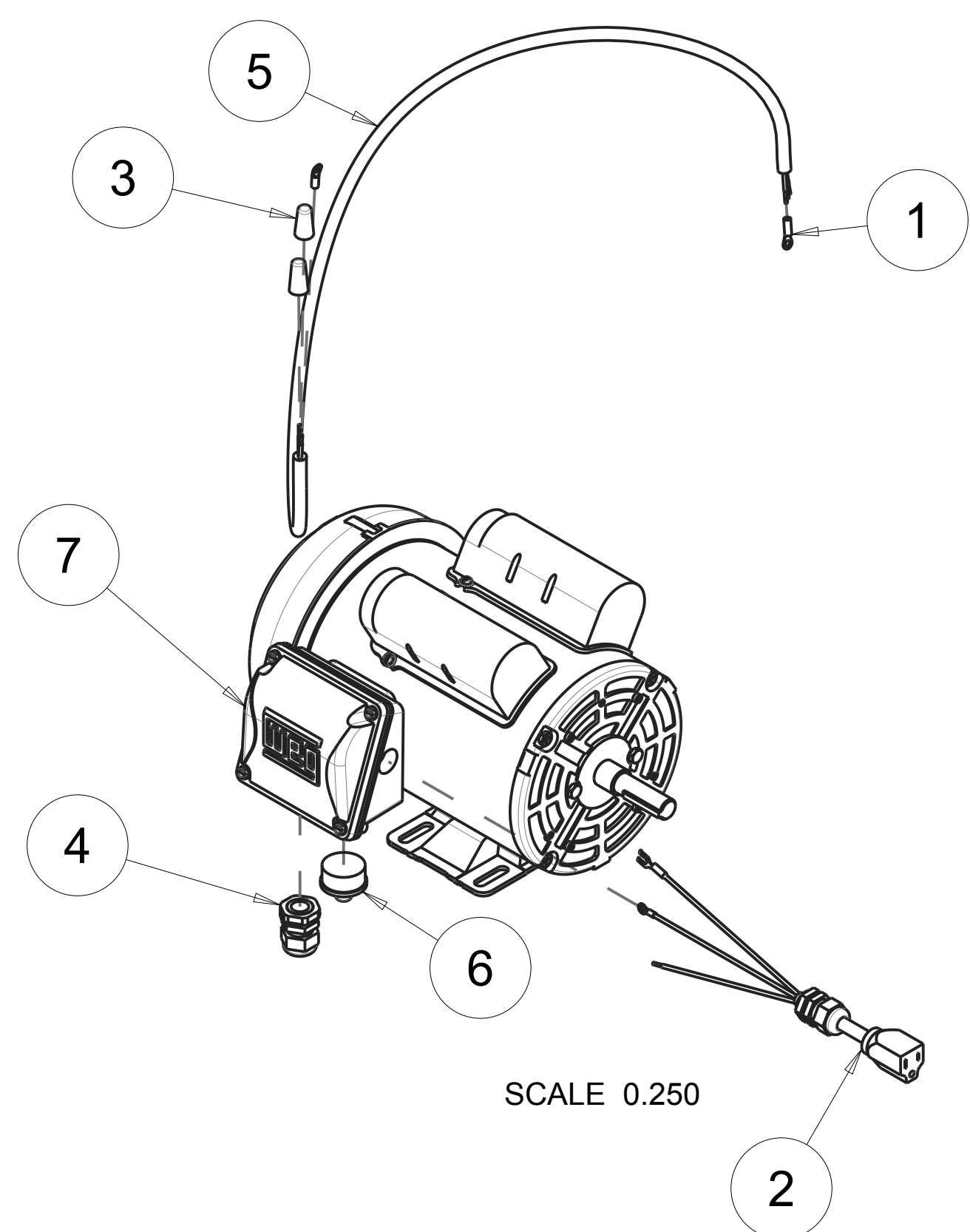
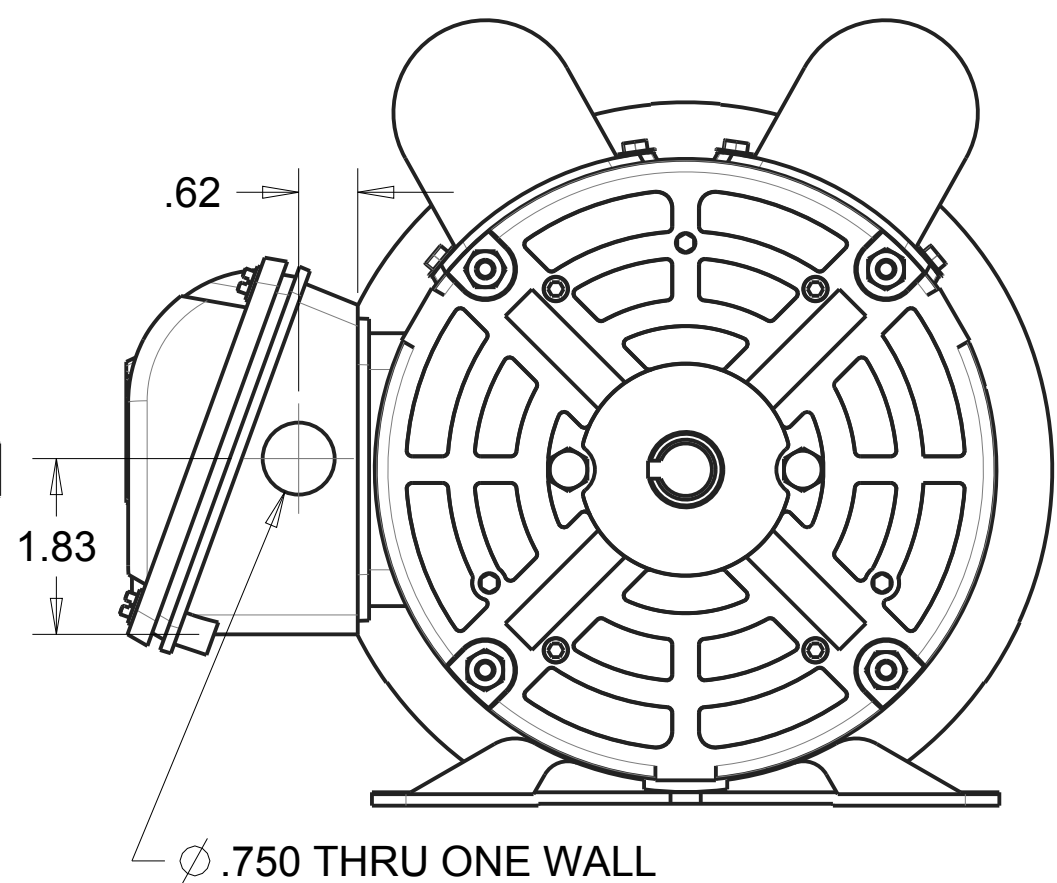
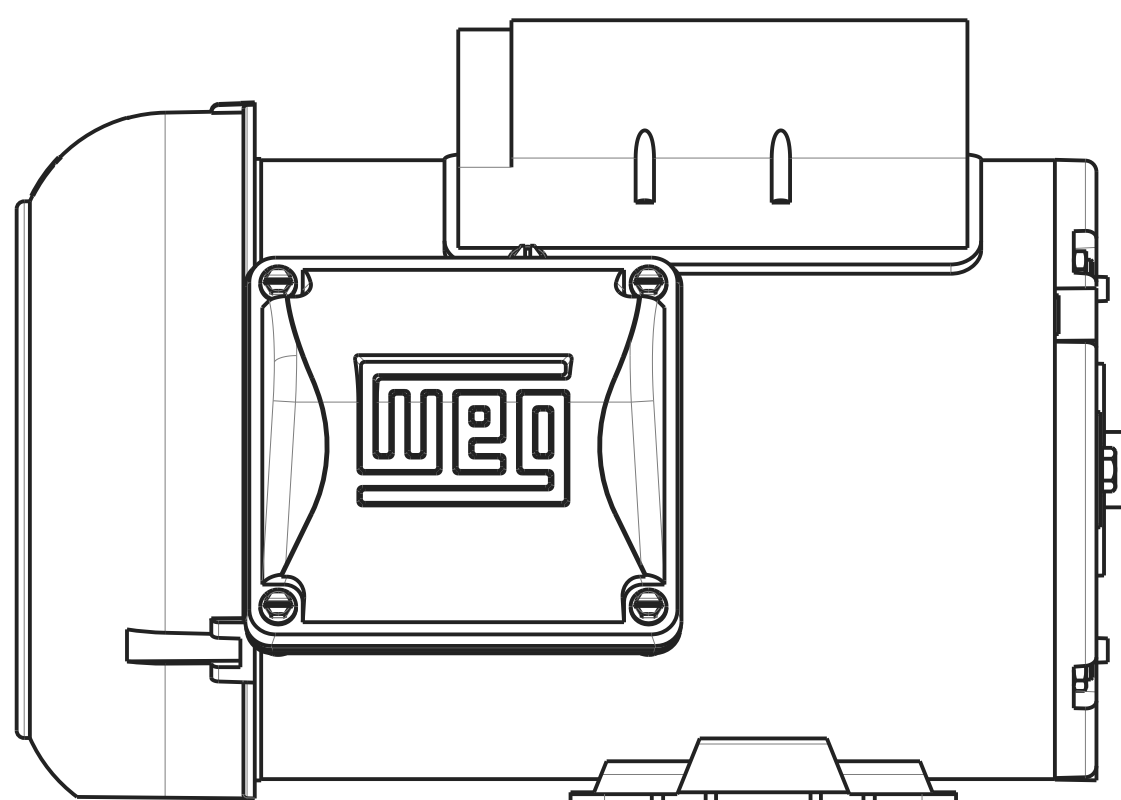


A B C D E F G H I J

NOTES:

1. THIS MOTOR ASSEMBLY TO BE USED WHEN CUSTOM BALDOR OR HILL HOUSE MOTOR IS UNAVAILABLE.
2. MACHINING REQUIREMENTS CHANGE DUE TO WHICH MOTOR AND/OR THERMAL COMBINATION.
 - A. IF PURCHASED MOTOR INCLUDES A THERMAL, THEN ONLY HOLE FOR PUMP CORD WILL NEED TO BE MACHINED.
 - B. IF PURCHASED MOTOR DOES NOT INCLUDE A THERMAL, THEN HOLES FOR THE THERMAL WILL NEED TO BE MACHINED ALONG WITH THE HOLE FOR PUMP CORD.
 - C. THERE ARE MULTIPLE OPTIONS FOR THE THERMAL IN THE SPECIFICATION SHEET. OPTIONS CAN INCLUDE WITH EARS OR NO EARS. IF THERE ARE NO EARS, THEN A SEPARATE BRACKET WILL HAVE TO BE MADE.

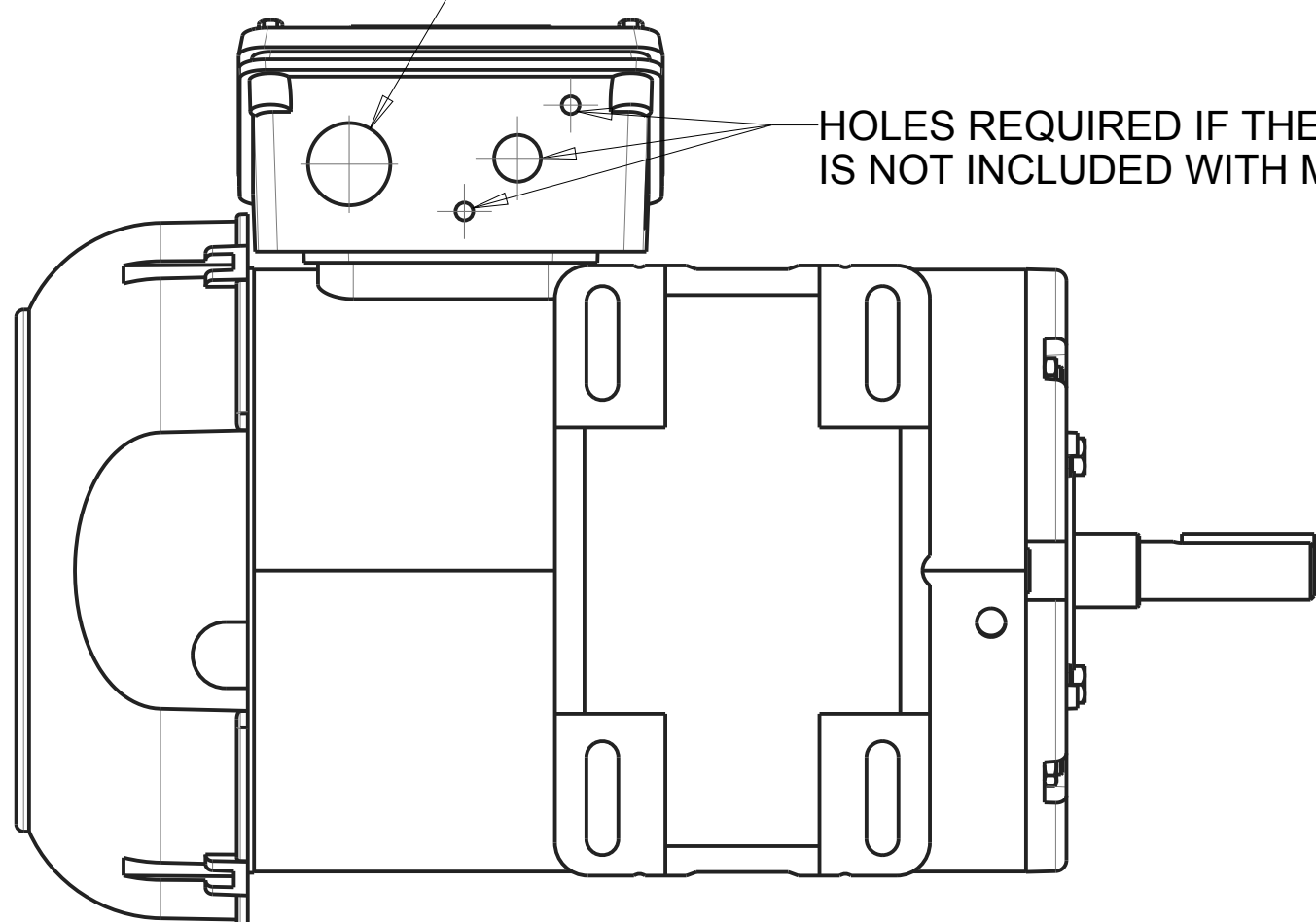
| REVISIONS | | | | |
|-----------|------|----------------------------|----------|----------|
| ZONE | REV. | DESCRIPTION | DATE | APPROVED |
| - | - | INITIAL RELEASE, ECO# 2467 | 01/31/20 | SSH |



SCALE 0.250


MOTOR ARRIVES WITH (Ø .881) HOLE. NO MACHINING REQUIRED.

HOLES REQUIRED IF THERMAL IS NOT INCLUDED WITH MOTOR.



| QTY. REQ. | PART OR IDENTIFYING NO. | DESCRIPTION | ITEM NO. |
|-----------|-------------------------|--|----------|
| 1 | 168022GW | MTR, 1.5HP 115/208-230V 1PH 3500RPM WEG 00156ES1B56C-S | 7 |
| 1 | 172935 | SWITCH, THERMAL O/L, 8.7A KLIXON | 6 |
| 1 | 161509_04 | CORD, ELEC, 14/3 SJOOW (4FT) | 5 |
| 1 | 161504 | CONNECTOR, CORD, LTF1/2 | 4 |
| 2 | 159968 | WIRE NUT 4#16 (YELLOW) | 3 |
| 1 | 159909 | CORD, 16/3 SJTW X 5-15R PUMP | 2 |
| 2 | 152465 | TERMINAL, 16-14 X #10 RING PI | 1 |

| PARTS LIST | | | |
|---|--|--|--------------|
| TOLERANCES UNLESS OTHERWISE SPECIFIED | | DATE | |
| DIMENSIONS ARE IN INCHES | | DRAWN | SSH 01/31/20 |
| WHOLE NO. AND FRACTIONS = 1/16 (EXCEPT DRILL HOLES) | | CHECK | XXX XX/XX/XX |
| .X = ±.03 | | DESIGN | SSH 01/31/20 |
| .XX = ±.010 | | NEXT ASSY. | |
| .XXX = ±.005 | | 170813-WEG | |
| ANGLES = ±1/2° | | PROPRIETARY NOTICE: THIS DRAWING AND INFORMATION IT CONTAINS ARE THE PROPERTY OF MK DIAMOND INC. AND ARE CONSIDERED CONFIDENTIAL AND MAY NOT BE REPRODUCED, COPIED, OR USED IN PART OR IN WHOLE WITHOUT THE WRITTEN CONSENT OF MK DIAMOND PRODUCTS INC.. | |
| DO NOT SCALE DRAWING | | APPLICATION | |



MK DIAMOND PRODUCTS INC.
1315 STORM PARKWAY
TORRANCE, CA. 90509

MK-2001SV MASONRY SAW
MTR, 1.5HP 115/208-230V 1PH 3500RPM WEG -COMP

| | | | |
|------|----------|----------|------|
| SIZE | PART NO. | DWG. NO. | REV. |
| C | 172923 | 172923 | - |

SCALE: 0.500
SHEET: 1 of 1