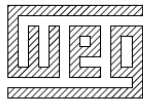





MK Diamond Products, Inc.
 1315 Storm Parkway
 Torrance, CA 90509-2803

SPECIFICATION SHEET			Date 9/16/19	
MK Part Number 172773	MK Description 10HP 230V 1PH 1725RPM, WEG 01018ES1DFD215T-W22		Revision -	
Manufacturer/Supplier P/N 01018ES1DFD215T-W22	Manufacturer/Vendor Description W22 10 HP 4P 213/5T 1Ph 230 V 60 Hz IC411 - TEFC - Foot-mounted			
Manufacturer Information WEG INDUSTRIES JARAGUA DO SUL, BRAZIL		Supplier Information HILL HOUSE PRODUCTS SAN CLEMENTE, CA		Alternate Manufacturer
Specifications:				
	W22		14229637	
MADE IN BRAZIL				
PH 1	FR 213/5T	HP(kW) 10(7.5)	Hz 60	SF 1.15
V 230		A 40.9	RPM 1740	
SFA		PF 0.95	DUTY CONT.	
NEMA NOM EFF 82.5	%	INS. CL. F Δ T 80	K	AMB 40°C
		CODE H	IP55	ENCL TEFC
THERMALLY PROTECTED				
230 V	T5 ○ T1 ○ L1	7P2 ○—○ T8 ○ T4 ○ L2	TO REVERSE ROTATION INTERCHANGE T5 AND T8	
				→ 6308-2RS → 6206-2RS
			MOBIL POLYREX EM	
			ALT 1000	m.a.s.l. 190 Lbs
MODEL 01018ES1DFD215T-W22				
		3PT9 US LISTED	MOD.04ME1BFOX0X	
THIS MOTOR CAN REPLACE BALDOR MOTOR, 165675, ON JOBS.				
Rev	Description		Date	Approved
-	INITIAL RELEASE, ECO# 2450		9/6/19	SSH

DATA SHEET



Single Phase Induction Motor - Squirrel Cage

Customer :					
Product line		: W22 00022 Single-Phase		Product code :	14229637
				Catalog # :	01018ES1DFD215T-W22
Frame	:	213/5T	Locked rotor time	:	10s (cold) 6s (hot)
Output	:	10 HP (7.5 kW)	Temperature rise	:	80 K
Poles	:	4	Duty cycle	:	Cont.(S1)
Frequency	:	60 Hz	Ambient temperature	:	-20°C to +40°C
Rated voltage	:	230 V	Altitude	:	1000 m.a.s.l.
Rated current	:	40.9 A	Protection degree	:	IP55
L. R. Amperes	:	274 A	Cooling method	:	IC411 - TEFC
LRC	:	6.7x(Code H)	Mounting	:	F-1
No load current	:	9.30 A	Rotation ¹	:	Both (CW and CCW)
Rated speed	:	1740 rpm	Noise level ²	:	63.0 dB(A)
Slip	:	3.33 %	Starting method	:	Direct On Line
Rated torque	:	4.11 kgfm	Approx. weight ³	:	87.6 kg
Locked rotor torque	:	280 %			
Breakdown torque	:	240 %			
Insulation class	:	F			
Service factor	:	1.15			
Moment of inertia (J)	:	0.0486 kgm ²			
Output	50%	75%	100%	Foundation loads	
Efficiency (%)	77.9	82.5	84.0	Max. traction	: 139 kgf
Power Factor	0.92	0.94	0.95	Max. compression	: 226 kgf
Bearing type	:	<u>Drive end</u> 6308 2RS	<u>Non drive end</u> 6208 2RS		
Sealing	:	VRing	VRing		
Lubrication interval	:	-	-		
Lubricant amount	:	-	-		
Lubricant type	:	Mobil Polyrex EM			
Notes					
This revision replaces and cancel the previous one, which must be eliminated. (1) Looking the motor from the shaft end. (2) Measured at 1m and with tolerance of +3dB(A). (3) Approximate weight subject to changes after manufacturing process. (4) At 100% of full load.			These are average values based on tests with sinusoidal power supply, subject to the tolerances stipulated in NEMA MG-1.		
Rev.	Changes Summary		Performed	Checked	Date
Performed by					
Checked by				Page	Revision
Date	08/09/2019			1 / 2	

LOAD PERFORMANCE CURVE



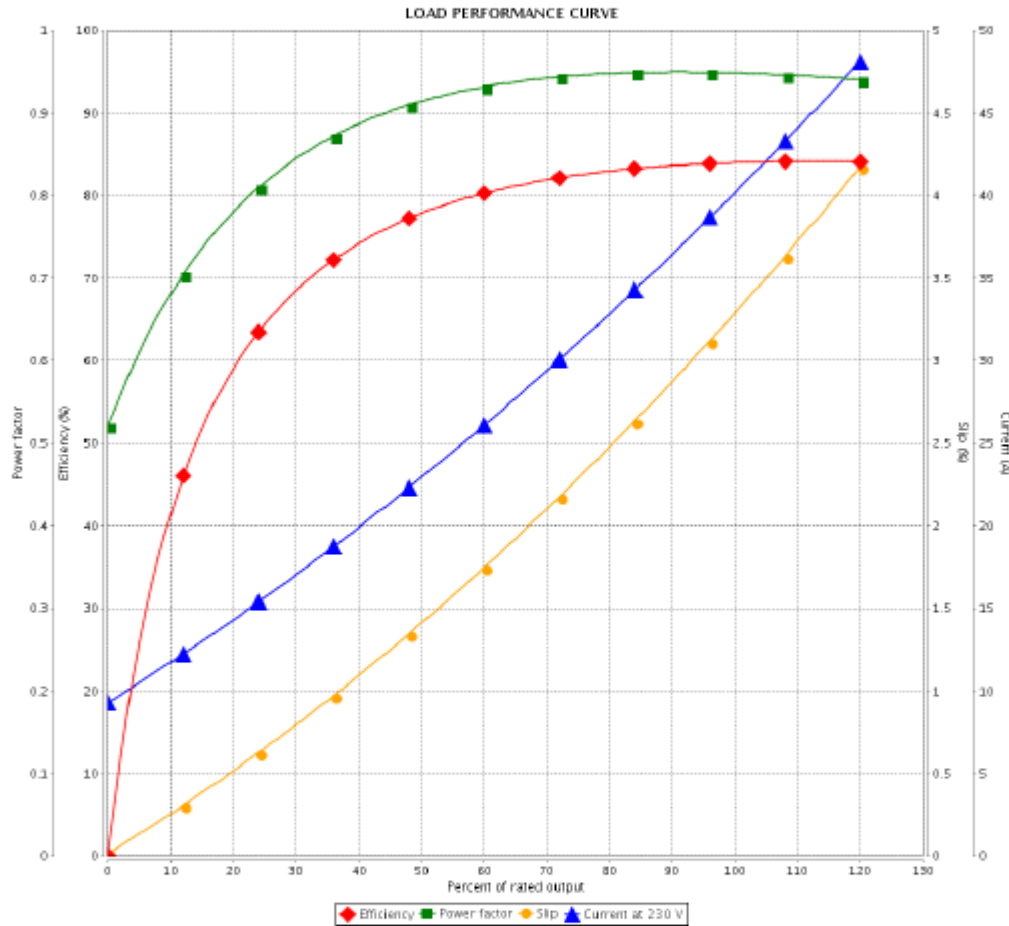
Single Phase Induction Motor - Squirrel Cage

Customer : _____

Product line : W22 00022 Single-Phase

Product code : 14229637

Catalog # : 01018ES1DFD215T-W22



Performance : 230 V 60 Hz 4P

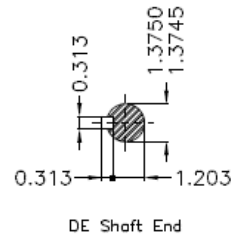
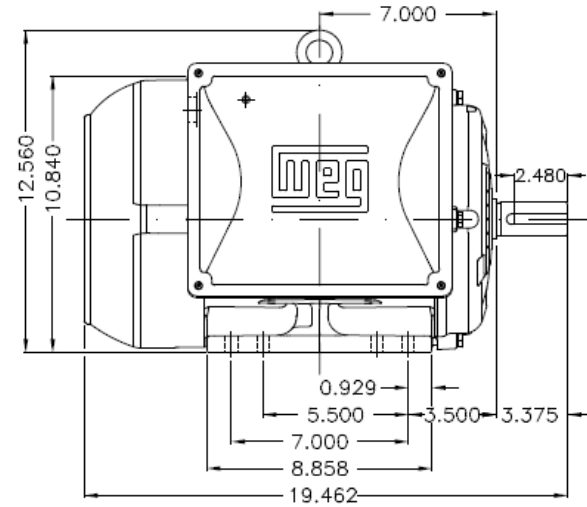
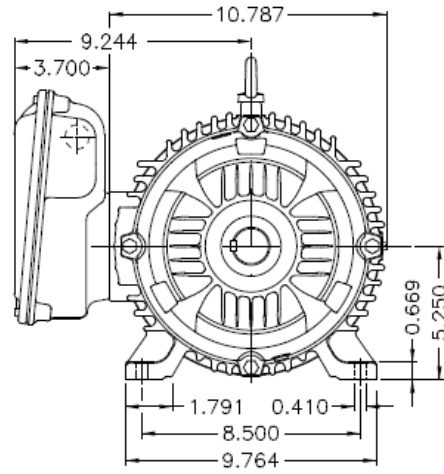
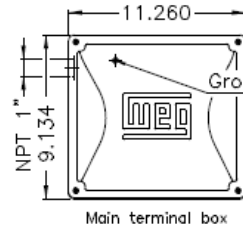
Rated current : 40.9 A
 LRC : 6.7
 Rated torque : 4.11 kgfm
 Locked rotor torque : 260 %
 Breakdown torque : 240 %
 Rated speed : 1740 rpm

Moment of inertia (J) : 0.0486 kgm²
 Duty cycle : Cont.(S1)
 Insulation class : F
 Service factor : 1.15
 Temperature rise : 80 K

Rev.	Changes Summary	Performed	Checked	Date
Performed by			Page	Revision
Checked by				
Date				

This document is exclusive property of WEG S/A. Reprinting is not allowed without written authorization of WEG S/A.
 Subject to change without notice

THIS IS AN UPDATED REVISION, THE PREVIOUS ONE MUST BE DISREGARDED.



DE Shaft End

Mounting B3R(D)									
ECM	LOC	SUMMARY OF MODIFICATIONS			EXECUTED	CHECKED	RELEASED	DATE	VER
EXECUTED	USERADMIN	SINGLE PHASE MOTOR W22 FARM DUTY NEMA							
CHECKED		FRAME 213/ST IP55 TEFC							
RELEASED		WEG code: 14229037							
REL DT	06.09.2019	WMO	Jaraguá do Sul	Product Engineering	SHEET		1 / 1		

10 HP 04 Poles 60Hz

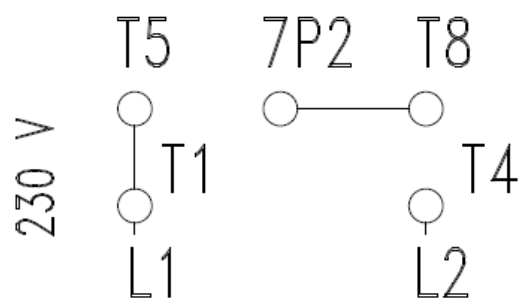




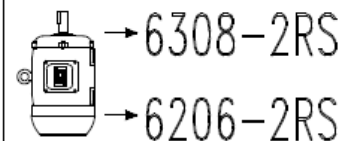
14229637

MADE IN BRAZIL

PH 1	FR 213/5T	HP(kW) 10(7.5)	Hz 60	SF 1.15
V 230		A 40.9	RPM 1740	
SFA		PF 0.95	DUTY CONT.	
NEMA NOM EFF 82.5		%	INS. CL. F Δ T 80	K AMB 40°C
			CODE H	IP55 ENCL TEFC
THERMALLY PROTECTED				



TO REVERSE ROTATION
INTERCHANGE T5 AND T8



MOBIL POLYREX EM

ALT 1000 m.a.s.l. 190 lbs

MODEL 01018ES1DFD215T-W22



MOD.04ME1BFOXOX