

A

B

C

D

E

F

G

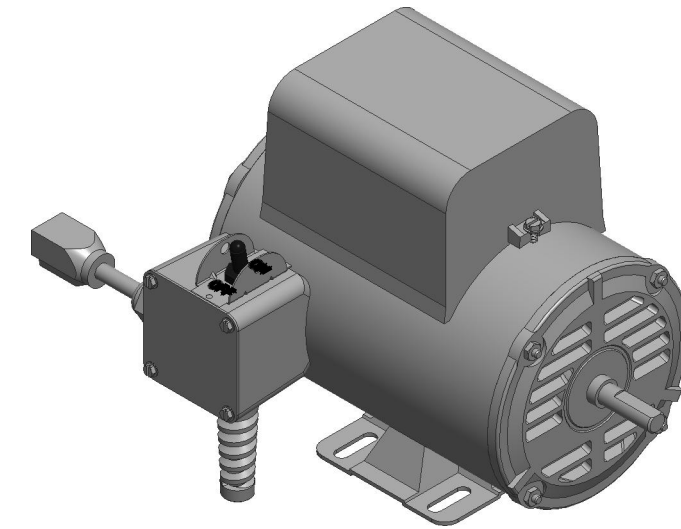
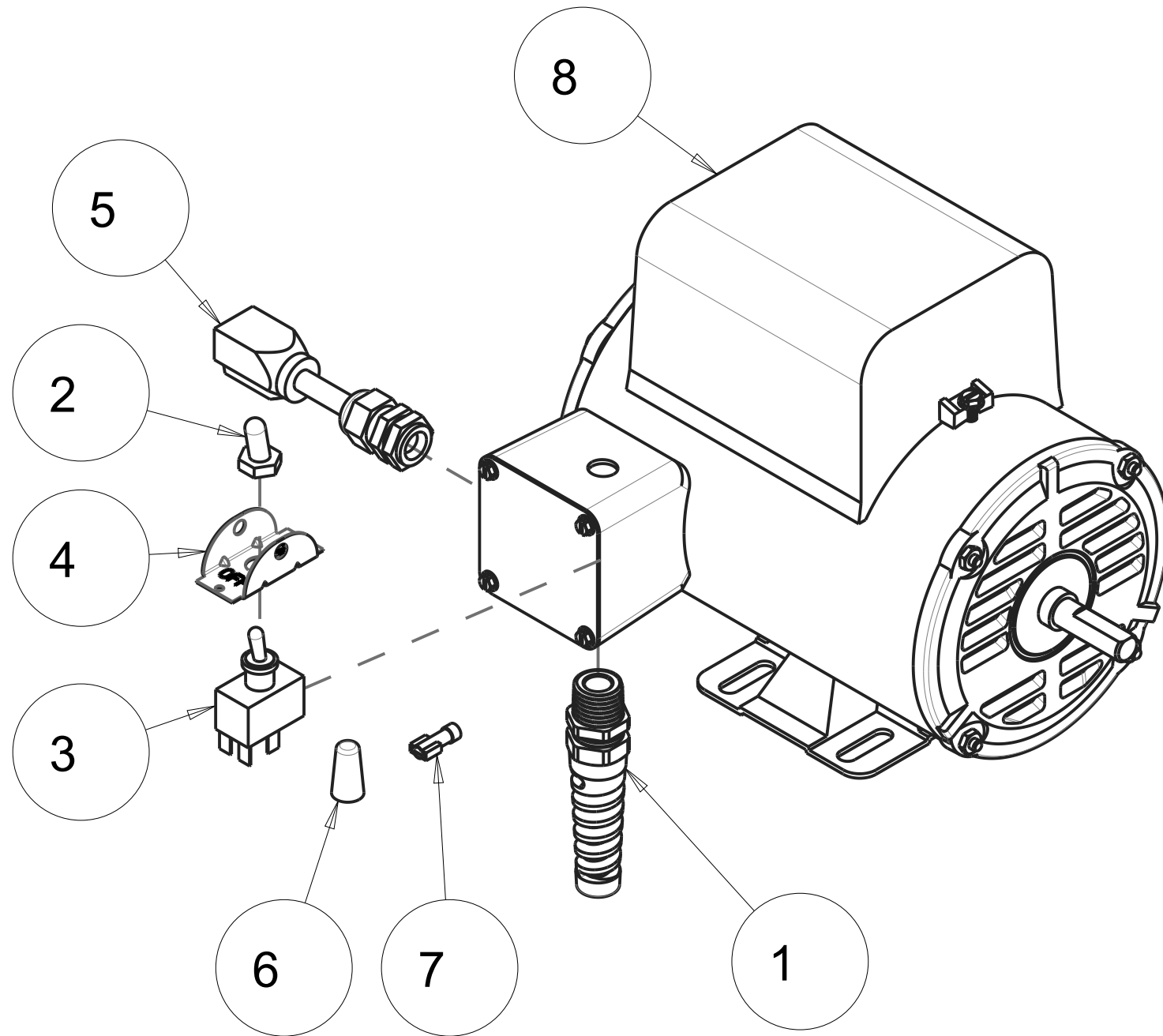
H

1

2

3

4



SCALE 0.250

REVISIONS				
ZONE	REV.	DESCRIPTION	DATE	APPROVED
-	-	INITIAL RELEASE, ECO# 2386	08/23/18	SMH

1	172707	MOTOR, 1/2HP, 115/230V, 1725RPM, EL11209, RAW	8
1	161297	TERMINAL, 12-10 X .25 QD F FI	7
1	159968	WIRE NUT 4#16 (YELLOW)	6
1	159909	PUMP CORD	5
1	158211	PLATE, TOGGLE SWITCH LOCKOUT	4
1	154310	SWITCH, TOGGLE 125V 20A	3
1	154301	COVER, SWITCH	2
1	153419	CORD, POWER, 14/3 115V	1
QTY. REQ.	PART OR IDENTIFYING NO.	DESCRIPTION	ITEM NO.

PARTS LIST

TOLERANCES
UNLESS OTHERWISE SPECIFIED

DIMENSIONS ARE IN INCHES

WHOLE NO. AND
FRACTIONS = 1/16
(EXCEPT DRILL HOLES)

.X = ±.03

.XX = ±.010

.XXX = ±.005

ANGLES = ±1/2°

		DATE
DRAWN	SMH	08/23/18
CHECK	SMH	08/23/18
DESIGN	SMH	08/23/18

NEXT ASSY.

-

PROPRIETARY NOTICE: THIS DRAWING AND INFORMATION IT CONTAINS ARE THE PROPERTY OF MK DIAMOND INC. AND ARE CONSIDERED CONFIDENTIAL AND MAY NOT BE REPRODUCED, COPIED, OR USED IN PART OR IN WHOLE WITHOUT THE WRITTEN CONSENT OF MK DIAMOND PRODUCTS INC..



MK DIAMOND PRODUCTS INC.
1315 STORM PARKWAY
TORRANCE, CA. 90509

BARRANCA DROPSAW
MOTOR, 1/2HP, 115/230V, 1725RPM, EL11209, COMP

SIZE
BPART NO.
172708

DWG. NO.

172708

REV.

-

DO NOT SCALE DRAWING

APPLICATION

SCALE: 0.400

SHEET: 1 of 2

A

B

C

D

E

F

G

H

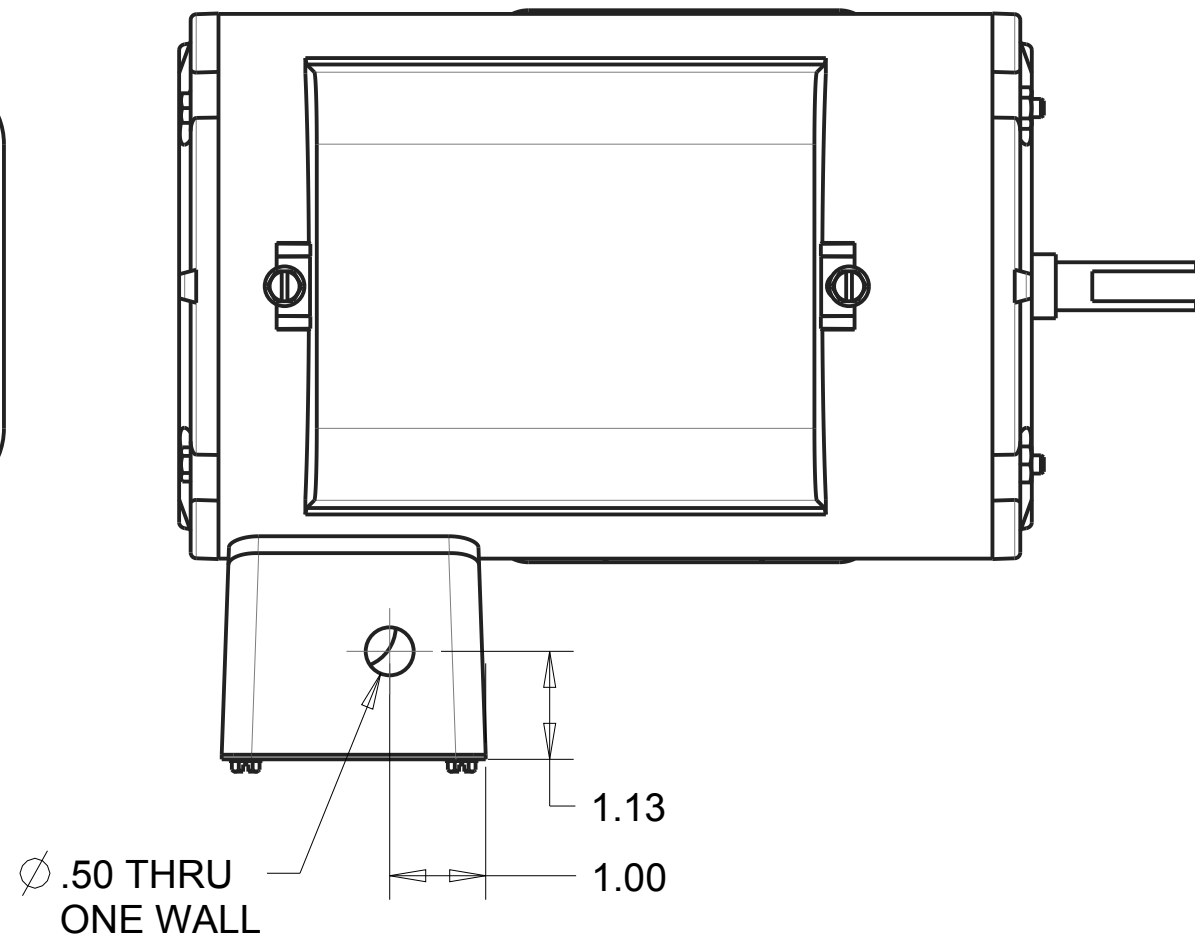
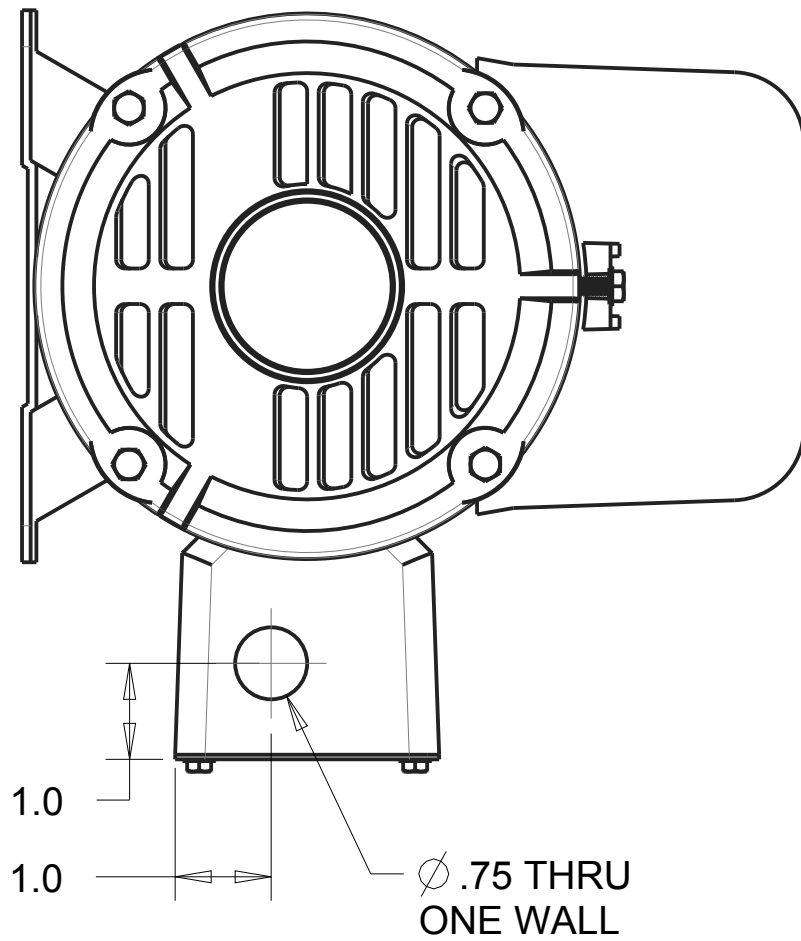
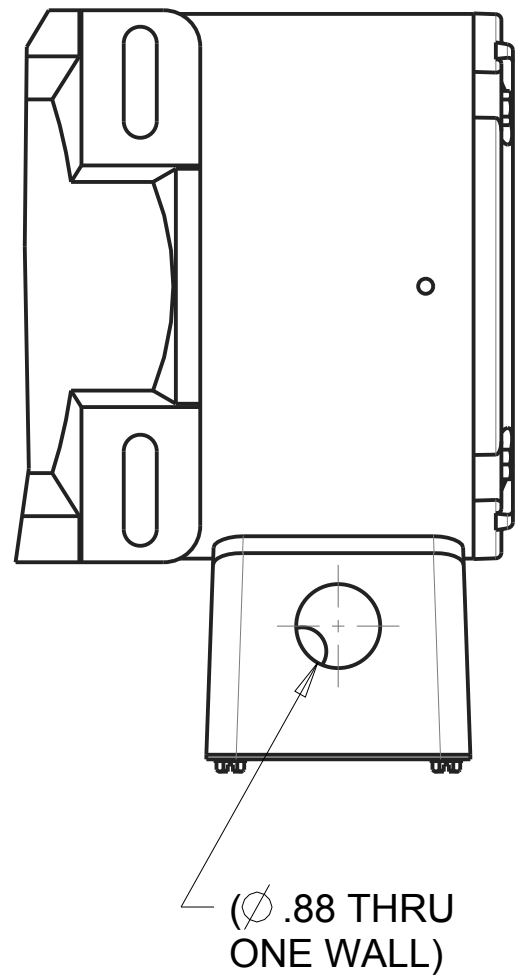
MACHINING DETAIL FOR ITEM 8

1

2

3

4



MK DIAMOND PRODUCTS INC.
 1315 STORM PARKWAY
 TORRANCE, CA. 90509

BARRANCA DROPSAW
 MOTOR, 1/2HP, 115/230V, 1725RPM, EL11209, COMP

SIZE	PART NO.	DWG. NO.	REV.
B	172708	172708	-
SCALE:	0.500		SHEET: 2 of 2