

MK Diamond Products, Inc.
 1315 Storm Parkway
 Torrance, CA 90509-2803

| SPECIFICATION SHEET | | | Date 10/15/18 | | | | | | | | | | | | | | | | | | | | | | | | | | | | | | | | | | | | | | | | | | | | | | | | | | | | | | | | | | | | | | | | | | | | | | | | | | | | | | | | | | | | |
|--|--|------------------------|-------------------------|----------------|-----------|--|--|--|--|-------|------------|--|--|--|--|----|---|--|--|--|--|-------|-----|--|--|--|--|-----|----|--|--|--|--|-----|------|--|--|--|--|-------|------|--|-------|--|------|--------|------|--------|-------|--|------|--------------|----|-------|--|--|--|--------|--------------|--|--|--|--|----|--|--|--|----------------|--|----|------|--|----------|--|--|------|------|----|--|--|--|--|------|--|--|--|--|
| MK Part Number 172660 | MK Description MTR, 5HP 220V/50HZ 1PH 1450RPM, L3708T-50 COMP | Revision - | | | | | | | | | | | | | | | | | | | | | | | | | | | | | | | | | | | | | | | | | | | | | | | | | | | | | | | | | | | | | | | | | | | | | | | | | | | | | | | | | | | | | |
| Manufacturer/Supplier P/N L3708T-50 | Manufacturer/Vendor Description 3708T-50 GENERAL PURPOSE ENCLOSED MOTOR | | | | | | | | | | | | | | | | | | | | | | | | | | | | | | | | | | | | | | | | | | | | | | | | | | | | | | | | | | | | | | | | | | | | | | | | | | | | | | | | | | | | | | |
| Manufacturer Information BALDOR | Supplier Information POWER REPS | Alternate Manufacturer | | | | | | | | | | | | | | | | | | | | | | | | | | | | | | | | | | | | | | | | | | | | | | | | | | | | | | | | | | | | | | | | | | | | | | | | | | | | | | | | | | | | | |
| Specifications: | | | | | | | | | | | | | | | | | | | | | | | | | | | | | | | | | | | | | | | | | | | | | | | | | | | | | | | | | | | | | | | | | | | | | | | | | | | | | | | | | | | | | | | |
| Nameplate NP1372L | | | | | | | | | | | | | | | | | | | | | | | | | | | | | | | | | | | | | | | | | | | | | | | | | | | | | | | | | | | | | | | | | | | | | | | | | | | | | | | | | | | | | | | |
| <table style="width: 100%; border-collapse: collapse;"> <tr><td style="width: 15%;">CAT.NO.</td><td style="width: 15%;">L3708T-50</td><td style="width: 15%;"></td><td style="width: 15%;"></td><td style="width: 15%;"></td><td style="width: 15%;"></td></tr> <tr><td>SPEC.</td><td>37K247T916</td><td></td><td></td><td></td><td></td></tr> <tr><td>HP</td><td>5</td><td></td><td></td><td></td><td></td></tr> <tr><td>VOLTS</td><td>220</td><td></td><td></td><td></td><td></td></tr> <tr><td>AMP</td><td>22</td><td></td><td></td><td></td><td></td></tr> <tr><td>RPM</td><td>1450</td><td></td><td></td><td></td><td></td></tr> <tr><td>FRAME</td><td>213T</td><td></td><td>HZ 50</td><td></td><td>PH 1</td></tr> <tr><td>SER.F.</td><td>1.00</td><td>CODE G</td><td>DES L</td><td></td><td>CL F</td></tr> <tr><td>NEMA-NOM-EFF</td><td>84</td><td>PF 92</td><td></td><td></td><td></td></tr> <tr><td>RATING</td><td colspan="5">40C AMB-CONT</td></tr> <tr><td>CC</td><td></td><td></td><td></td><td>USABLE AT 208V</td><td></td></tr> <tr><td>DE</td><td>6307</td><td></td><td>ODE 6206</td><td></td><td></td></tr> <tr><td>ENCL</td><td>TEFC</td><td>SN</td><td></td><td></td><td></td></tr> <tr><td></td><td>IP54</td><td></td><td></td><td></td><td></td></tr> </table> | | | | CAT.NO. | L3708T-50 | | | | | SPEC. | 37K247T916 | | | | | HP | 5 | | | | | VOLTS | 220 | | | | | AMP | 22 | | | | | RPM | 1450 | | | | | FRAME | 213T | | HZ 50 | | PH 1 | SER.F. | 1.00 | CODE G | DES L | | CL F | NEMA-NOM-EFF | 84 | PF 92 | | | | RATING | 40C AMB-CONT | | | | | CC | | | | USABLE AT 208V | | DE | 6307 | | ODE 6206 | | | ENCL | TEFC | SN | | | | | IP54 | | | | |
| CAT.NO. | L3708T-50 | | | | | | | | | | | | | | | | | | | | | | | | | | | | | | | | | | | | | | | | | | | | | | | | | | | | | | | | | | | | | | | | | | | | | | | | | | | | | | | | | | | | | | |
| SPEC. | 37K247T916 | | | | | | | | | | | | | | | | | | | | | | | | | | | | | | | | | | | | | | | | | | | | | | | | | | | | | | | | | | | | | | | | | | | | | | | | | | | | | | | | | | | | | | |
| HP | 5 | | | | | | | | | | | | | | | | | | | | | | | | | | | | | | | | | | | | | | | | | | | | | | | | | | | | | | | | | | | | | | | | | | | | | | | | | | | | | | | | | | | | | | |
| VOLTS | 220 | | | | | | | | | | | | | | | | | | | | | | | | | | | | | | | | | | | | | | | | | | | | | | | | | | | | | | | | | | | | | | | | | | | | | | | | | | | | | | | | | | | | | | |
| AMP | 22 | | | | | | | | | | | | | | | | | | | | | | | | | | | | | | | | | | | | | | | | | | | | | | | | | | | | | | | | | | | | | | | | | | | | | | | | | | | | | | | | | | | | | | |
| RPM | 1450 | | | | | | | | | | | | | | | | | | | | | | | | | | | | | | | | | | | | | | | | | | | | | | | | | | | | | | | | | | | | | | | | | | | | | | | | | | | | | | | | | | | | | | |
| FRAME | 213T | | HZ 50 | | PH 1 | | | | | | | | | | | | | | | | | | | | | | | | | | | | | | | | | | | | | | | | | | | | | | | | | | | | | | | | | | | | | | | | | | | | | | | | | | | | | | | | | | |
| SER.F. | 1.00 | CODE G | DES L | | CL F | | | | | | | | | | | | | | | | | | | | | | | | | | | | | | | | | | | | | | | | | | | | | | | | | | | | | | | | | | | | | | | | | | | | | | | | | | | | | | | | | | |
| NEMA-NOM-EFF | 84 | PF 92 | | | | | | | | | | | | | | | | | | | | | | | | | | | | | | | | | | | | | | | | | | | | | | | | | | | | | | | | | | | | | | | | | | | | | | | | | | | | | | | | | | | | | |
| RATING | 40C AMB-CONT | | | | | | | | | | | | | | | | | | | | | | | | | | | | | | | | | | | | | | | | | | | | | | | | | | | | | | | | | | | | | | | | | | | | | | | | | | | | | | | | | | | | | | |
| CC | | | | USABLE AT 208V | | | | | | | | | | | | | | | | | | | | | | | | | | | | | | | | | | | | | | | | | | | | | | | | | | | | | | | | | | | | | | | | | | | | | | | | | | | | | | | | | | | |
| DE | 6307 | | ODE 6206 | | | | | | | | | | | | | | | | | | | | | | | | | | | | | | | | | | | | | | | | | | | | | | | | | | | | | | | | | | | | | | | | | | | | | | | | | | | | | | | | | | | | |
| ENCL | TEFC | SN | | | | | | | | | | | | | | | | | | | | | | | | | | | | | | | | | | | | | | | | | | | | | | | | | | | | | | | | | | | | | | | | | | | | | | | | | | | | | | | | | | | | | |
| | IP54 | | | | | | | | | | | | | | | | | | | | | | | | | | | | | | | | | | | | | | | | | | | | | | | | | | | | | | | | | | | | | | | | | | | | | | | | | | | | | | | | | | | | | | |
| Rev | Description | Date | Approved | | | | | | | | | | | | | | | | | | | | | | | | | | | | | | | | | | | | | | | | | | | | | | | | | | | | | | | | | | | | | | | | | | | | | | | | | | | | | | | | | | | | |
| - | INITIAL RELEASE, ECO# 2390 | 10/15/18 | SSH | | | | | | | | | | | | | | | | | | | | | | | | | | | | | | | | | | | | | | | | | | | | | | | | | | | | | | | | | | | | | | | | | | | | | | | | | | | | | | | | | | | | |
| | | | | | | | | | | | | | | | | | | | | | | | | | | | | | | | | | | | | | | | | | | | | | | | | | | | | | | | | | | | | | | | | | | | | | | | | | | | | | | | | | | | | | | | |



BALDOR® • RELIANCE

Product Information Packet

L3708T-50

5HP, 1450RPM, 1PH, 50HZ, 213T, 3732LC, TEFC, F1

| Part Detail | | | | | | | |
|-------------|--------|-------------|------------|-------------|---------------------|---------------|------------|
| Revision: | P | Status: | PRD/A | Change #: | | Proprietary: | No |
| Type: | AC | Elec. Spec: | 37WGT916 | CD Diagram: | CD0017A02 | Mfg Plant: | |
| Mech. Spec: | 37K247 | Layout: | 37LYK247 | Poles: | 04 | Created Date: | 08-21-2006 |
| Base: | RG | Eff. Date: | 07-28-2016 | Leads: | 2#14 A PH,2#14 B PH | | |

| Specs | | | |
|---------------------------------|-------------------------|--------------------------------|-----------------------|
| Enclosure: | TEFC | KVA Code: | G |
| Frame: | 213T | Lifting Lugs: | Standard Lifting Lugs |
| Frame Material: | Steel | Locked Bearing Indicator: | No Locked Bearing |
| Output @ Frequency: | 5.000 HP @ 50 HZ | Motor Lead Quantity/Wire Size: | 2 @ 14 AWG, A PH |
| Synchronous Speed @ Frequency: | 1500 RPM @ 50 HZ | Motor Lead Exit: | Ko Box |
| Voltage @ Frequency: | 220.0 V @ 50 HZ | Motor Lead Termination: | Flying Leads |
| XP Class and Group: | None | Motor Type: | 3732LC |
| XP Division: | Not Applicable | Mounting Arrangement: | F1 |
| Agency Approvals: | UR | Power Factor: | 92 |
| | CE | Product Family: | General Purpose |
| | CSA | Pulley End Bearing Type: | Ball |
| Auxillary Box: | No Auxillary Box | Pulley Face Code: | Standard |
| Auxillary Box Lead Termination: | None | Pulley Shaft Indicator: | Standard |
| Base Indicator: | Rigid | Rodent Screen: | None |
| Bearing Grease Type: | Polyrex EM (-20F +300F) | RoHS Status: | ROHS COMPLIANT |
| Blower: | None | Shaft Extension Location: | Pulley End |
| Current @ Voltage: | 22.000 A @ 220.0 V | Shaft Ground Indicator: | No Shaft Grounding |
| Design Code: | L | Shaft Rotation: | Reversible |

Product Information Packet: L3708T-50 - 5HP,1450RPM,1PH,50HZ,213T,3732LC,TEFC,F1

| | | | |
|--------------------------------|---------------------------|-----------------------------|---------------------|
| Drip Cover: | No Drip Cover | Shaft Slinger Indicator: | No Slinger |
| Duty Rating: | CONT | Speed Code: | Single Speed |
| Electrically Isolated Bearing: | Not Electrically Isolated | Motor Standards: | NEMA |
| Feedback Device: | NO FEEDBACK | Starting Method: | Direct on line |
| Front Face Code: | Standard | Thermal Device - Bearing: | None |
| Front Shaft Indicator: | None | Thermal Device - Winding: | None |
| Heater Indicator: | No Heater | Vibration Sensor Indicator: | No Vibration Sensor |
| Insulation Class: | F | Winding Thermal 1: | None |
| Inverter Code: | Not Inverter | Winding Thermal 2: | None |

| Nameplate NP1372L | | | | | | | | | | |
|-------------------|--------------|--|--------|----------|-------|--|------|--|----------------|--|
| CAT.NO. | L3708T-50 | | | | | | | | | |
| SPEC. | 37K247T916 | | | | | | | | | |
| HP | 5 | | | | | | | | | |
| VOLTS | 220 | | | | | | | | | |
| AMP | 22 | | | | | | | | | |
| RPM | 1450 | | | | | | | | | |
| FRAME | 213T | | | HZ 50 | | | | | PH 1 | |
| SER.F. | 1.00 | | CODE G | | DES L | | CL F | | | |
| NEMA-NOM-EFF | 84 | | PF 92 | | | | | | | |
| RATING | 40C AMB-CONT | | | | | | | | | |
| CC | | | | | | | | | USABLE AT 208V | |
| DE | 6307 | | | ODE 6206 | | | | | | |
| ENCL | TEFC | | SN | | | | | | | |
| | IP54 | | | | | | | | | |

| Parts List | | |
|---------------|--|----------|
| Part Number | Description | Quantity |
| SA146668 | SA 37K247T916 | 1.000 EA |
| RA135738 | RA 37K247T916 | 1.000 EA |
| 37FN3002A01SP | EXFN, PLASTIC, 9.00 OD, 1.155 ID | 1.000 EA |
| HA6361A01 | LIFTING LUG FOR 37, 39 & 40 FRAME ZINC | 2.000 EA |
| 37CB3006 | 37 CB CASTING W/1.38 LEAD HOLE @ 6:00 | 1.000 EA |
| 37GS1000SP | GASKET, CONDUIT BOX STD., .06 THICK LEXI | 1.000 EA |
| 51XW2520A12 | .25-20 X .75, TAPTITE II, HEX WSHR SLTD | 2.000 EA |
| 11XW1032G06 | 10-32 X .38, TAPTITE II, HEX WSHR SLTD U | 1.000 EA |
| 37EP3101A01 | FR ENDPLATE, FOR ROUTING PURPOSES | 1.000 EA |
| HW4500A01 | 1641B(ALEMITE)400 UNIV, GREASE FITT | 1.000 EA |
| 13XT0832A07 | 8-32X7/16 TYP 23 PAN HD SLT DX | 2.000 EA |
| 37GS3012A01 | GASKET,CAP.BOX 1/16"THICKLEXIDE SV-330 T | 1.000 EA |
| 10XN2520A10 | 1/4-20X 5/8 HEX HD X | 2.000 EA |
| HW1001A25 | LOCKWASHER 1/4, ZINC PLT .493 OD, .255 I | 2.000 EA |
| HW5100A06 | W2420-025 WVY WSHR (WB) | 1.000 EA |
| 37PE3100A01 | PUEP ASSEMBLY - ROUTING PUPROSES | 1.000 EA |
| HW4500A01 | 1641B(ALEMITE)400 UNIV, GREASE FITT | 1.000 EA |
| XY3118A12 | 5/16-18 HEX NUT DIRECTIONAL SERRATION | 4.000 EA |
| 51XB1214A20 | 12-14X1.25 HXWSSLD SERTYB | 1.000 EA |
| 07FH4007A41 | IEC FH W/GRSR, NOTCH @ 6:00 & 3 FAN CVR, | 1.000 EA |
| 51XW1032A06 | 10-32 X .38, TAPTITE II, HEX WSHR SLTD S | 3.000 EA |
| 37CB4516 | LIPPED LID FOR 37 FRAME NEC KOBX | 1.000 EA |
| 37GS1008 | 37 GS FOR CB LID - LEXIDE | 1.000 EA |
| 51XW0832A07 | 8-32 X .44, TAPTITE II, HEX WSHR SLTD SE | 4.000 EA |

| Parts List (continued) | | |
|------------------------|--|----------|
| Part Number | Description | Quantity |
| HW2501F21 | KEY, 5/16 SQ X 2.375 | 1.000 EA |
| HA7000A02 | KEY RETAINER RING, 1 1/8 DIA, 1 3/8 DIA | 1.000 EA |
| 85XU0407S04 | 4X1/4 U DRIVE PIN STAINLESS | 2.000 EA |
| LB1115N | LABEL, LIFTING DEVICE (ON ROLLS) | 1.000 EA |
| 37CB5005A04 | CAPACITOR BOX KIT, 37CB3802, OC3060F10, | 1.000 EA |
| MJ1000A02 | GREASE, POLYREX EM EXXON (USE 4824-15A) | 0.050 LB |
| WD1000A03 | 41531 AMP FLG. TERM, 4M/REEL (2.5MIL) | 6.000 EA |
| MG1000G27 | MED CHARCOAL METALLIC GREY 400-0096 | 0.028 GA |
| HA4067A01 | PUSH IN DRAIN FITTING (BLACK) | 1.000 EA |
| HA4067A01 | PUSH IN DRAIN FITTING (BLACK) | 1.000 EA |
| NS2539 | INSULATOR FOR 37 FRAMESWITCH (MH1011A10) | 1.000 EA |
| SP5172A05 | 37 TYPE LC TORQ STAT SW LEAD ASSEMBLY | 1.000 EA |
| HA3104A27 | THRUBOLT 5/16 18 X 12.438 X | 4.000 EA |
| NS2539 | INSULATOR FOR 37 FRAMESWITCH (MH1011A10) | 1.000 EA |
| LB1119N | WARNING LABEL | 1.000 EA |
| LC0017 | CONN LABEL-1 PHASE-SINGLE VOLT-REV ROTNO | 1.000 EA |
| NP1372L | ALUM UL CSA CE CC | 1.000 EA |
| 36PA1001 | PKG GRP, PRINT PK1017A06 | 1.000 EA |
| MN416A01 | TAG-INSTAL-MAINT no wire (1100/bx) 11/14 | 1.000 EA |

| Accessories | | |
|-------------|-------------|------------|
| Part Number | Description | Multiplier |
| 37-3301 | C FACE KIT | P1 |

AC Induction Motor Performance Data
Record # 23254 - Typical performance - not guaranteed values

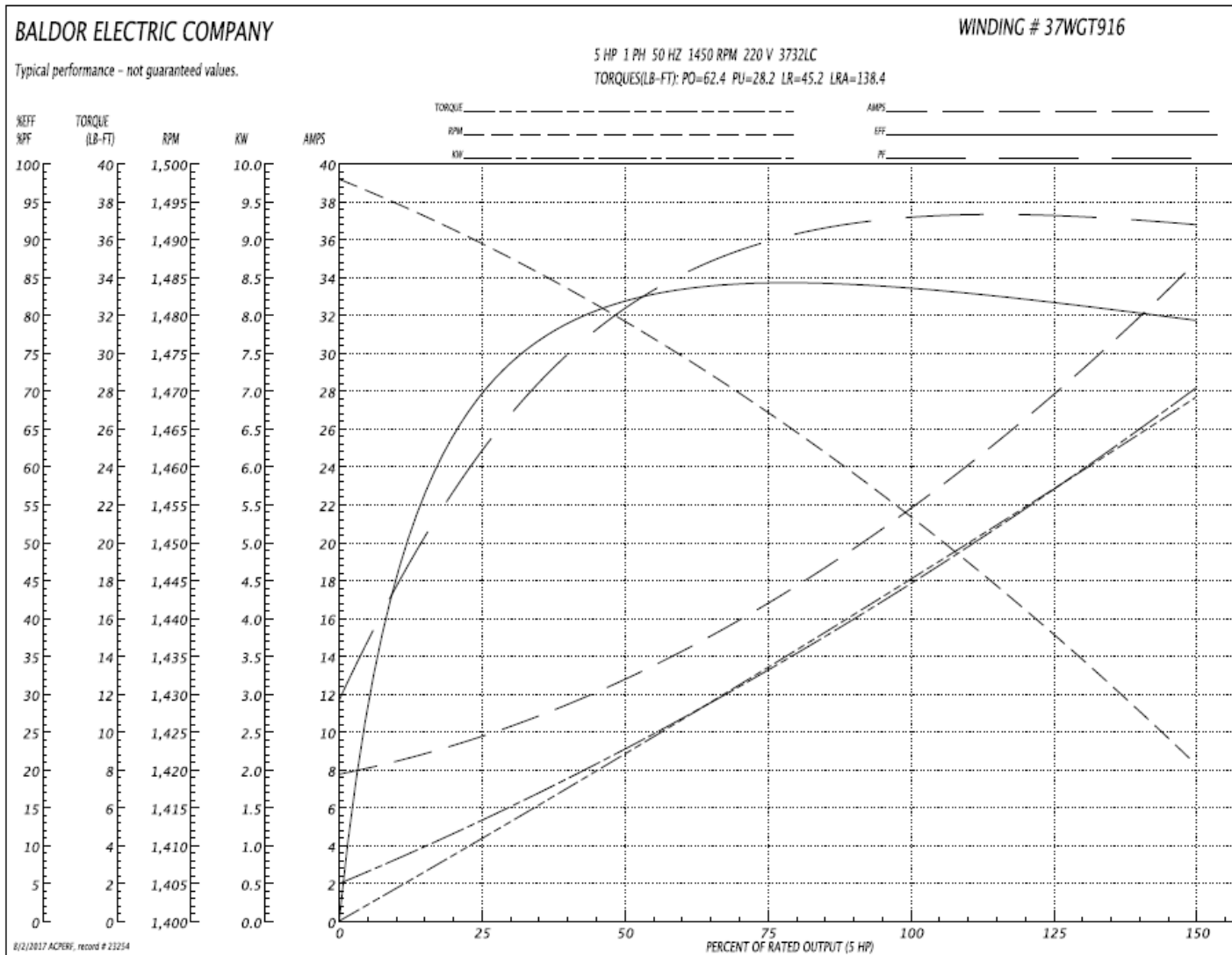
| | | |
|-------------------------------|---------------------|------------------------|
| Winding: 37WGT916-R001 | Type: 3732LC | Enclosure: TEFC |
|-------------------------------|---------------------|------------------------|

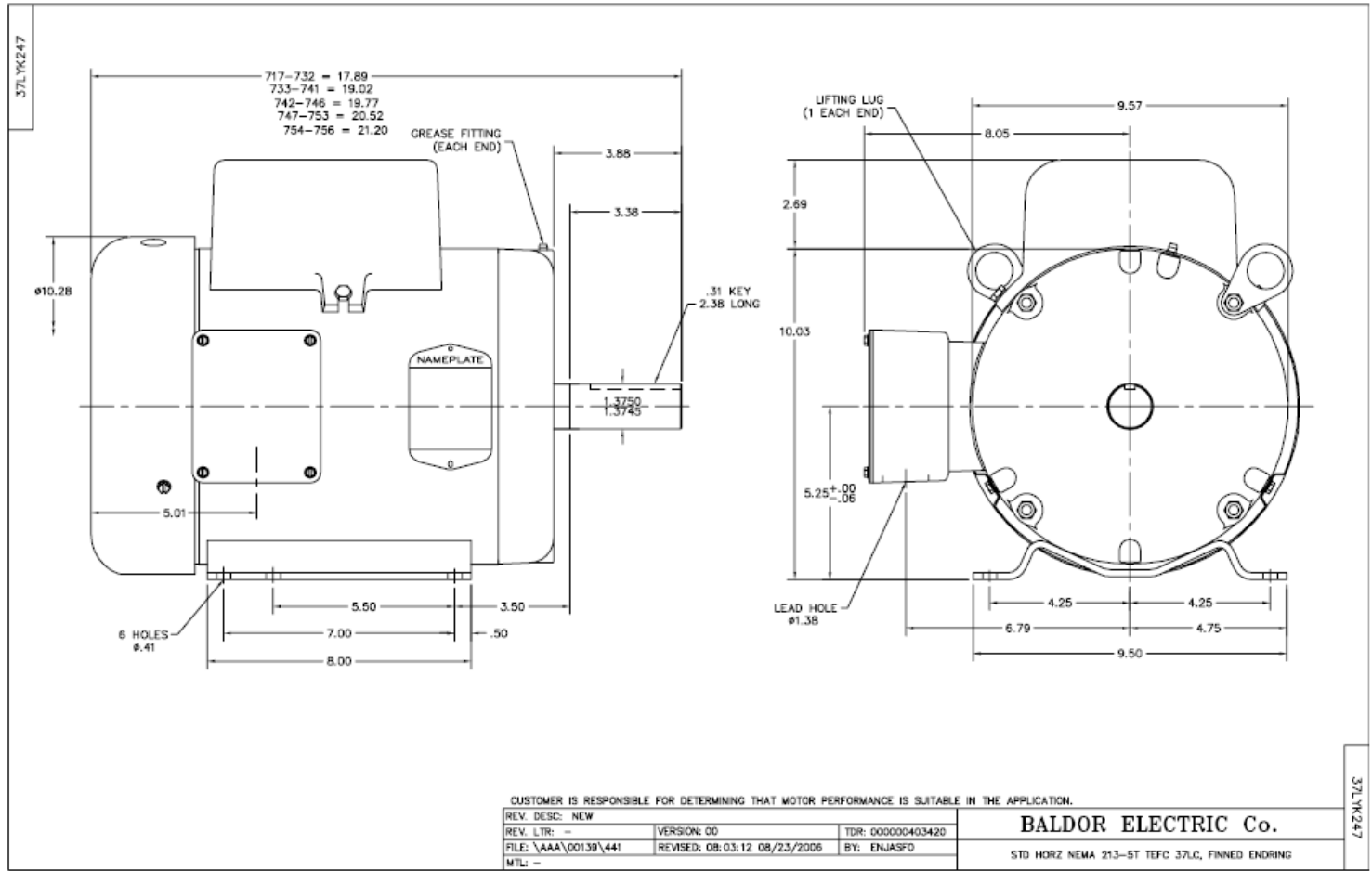
| Nameplate Data | | | | 220 V, 50 Hz: Single Voltage Motor | |
|-----------------------|--------------|--------------|----|---------------------------------------|-----------------------------|
| Rated Output (HP) | 5 | | | Full Load Torque | 18.1 LB-FT |
| Volts | 220 | | | Start Configuration | direct on line |
| Full Load Amps | 22 | | | Breakdown Torque | 62.4 LB-FT |
| R.P.M. | 1450 | | | Pull-up Torque | 28.2 LB-FT |
| Hz | 50 | Phase | 1 | Locked-rotor Torque | 45.2 LB-FT |
| NEMA Design Code | L | KVA Code | G | Starting Current | 138.4 A |
| Service Factor (S.F.) | 1 | | | No-load Current | 8.03 A |
| NEMA Nom. Eff. | 84 | Power Factor | 92 | Line-line Res. @ 25°C | 0.378 Ω A Ph 1.32 Ω B Ph |
| Rating - Duty | 40C AMB-CONT | | | Temp. Rise @ Rated Load | 75°C |

Load Characteristics 220 V, 50 Hz, 5 HP

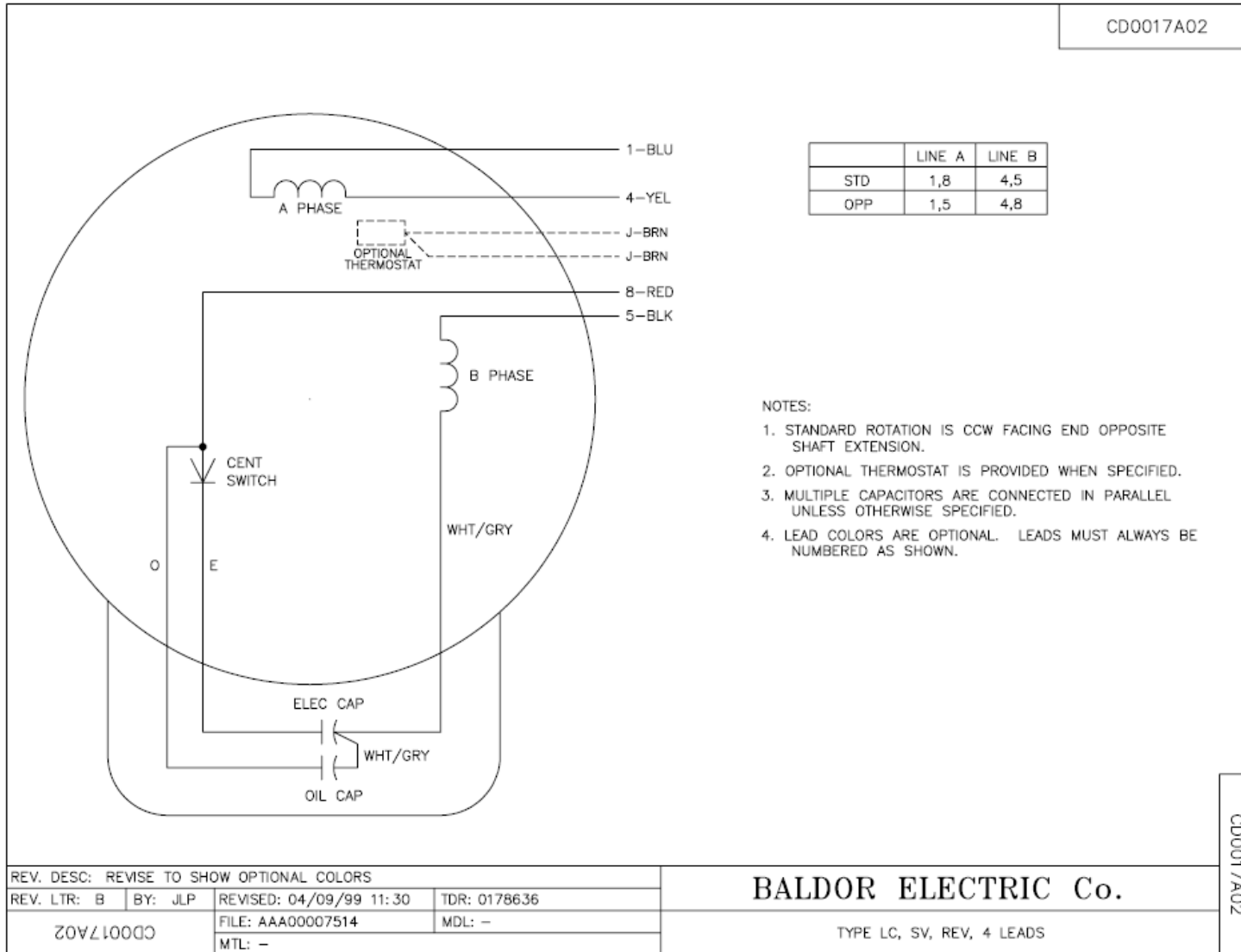
| % of Rated Load | 25 | 50 | 75 | 100 | 125 | 150 |
|-----------------|------|------|------|------|------|------|
| Power Factor | 66 | 82 | 89 | 92 | 93 | 93 |
| Efficiency | 69.3 | 80.6 | 84.1 | 84 | 82.3 | 79 |
| Speed | 1488 | 1479 | 1467 | 1454 | 1438 | 1420 |
| Line amperes | 9.35 | 12.8 | 17 | 22.1 | 27.9 | 34.8 |

Performance Graph at 220V, 50Hz, 5.0HP Typical performance - Not guaranteed values





CD0017A02



CD0017A02

| | | | |
|---|---------|-------------------------|--------------|
| REV. DESC: REVISE TO SHOW OPTIONAL COLORS | | | |
| REV. LTR: B | BY: JLP | REVISED: 04/09/99 11:30 | TDR: 0178636 |
| Z0V10000 | | FILE: AAA00007514 | MDL: - |
| CD0017A02 | | MTL: - | |

BALDOR ELECTRIC Co.

TYPE LC, SV, REV, 4 LEADS