

MK Diamond Products, Inc.
 1315 Storm Parkway
 Torrance, CA 90509-2803

SPECIFICATION SHEET			Date 6/16/10
MK Part Number 168504	MK Description MOTOR ½ HP	Revision -	
Manufacturer P/N 34L621S602G1	Manufacturer Description MOTOR ½ HP		
Manufacturer Information BALDOR	Vendor Information BALDOR	Alternate Manufacturer Or Equivalent	
<p>Specifications:</p> <p>Catalog Number: RSP3441A * SPECIAL WITH 1/8"KEYWAY</p> <p>Description: .5HP,1725RPM,1PH,60HZ,48,1716S,OPEN,F1</p> <p>Ship Weight: 27 lbs.</p> <ul style="list-style-type: none"> • 1.25 Service Factor <ul style="list-style-type: none"> • Manual Thermal Overload • Ball Bearings • Reversible Rotation • Rugged Steel Base • Terminal Panel with Quick Connections • Base Notched with Mounting Holes for NEMA 48 and 56 <p>FL EFFICIENCY: 66</p> <p>ENCLOSURE: OPEN</p> <p>FRAME: 48Z</p> <p>HERTZ: 60</p> <p>INSULATION-CLASS: B</p> <p>KVA-CODE: M</p> <p>CATALOG NUMBER:</p> <p>SPEC. NUMBER:</p> <p>FL AMPS: 7.2</p> <p>OUTPUT [hp]: .5</p> <p>PHASE: 1</p> <p>POWER-FACTOR: 67</p>			
Rev	Description	Date	Approved
-	INITIAL RELEASE	6/16/10	RMR

BALDOR® • ***RELIANCE***

Product Information Packet

RSP3441A

.5HP,1725RPM,1PH,60HZ,48,1716S,OPEN,F1

Part Detail							
Revision:	W	Status:	PRD/A	Change #:		Proprietary:	No
Type:	AC	Prod. Type:	1716S	Elec. Spec:	17WGW440	CD Diagram:	
Enclosure:	OPEN	Mfg Plant:		Mech. Spec:	17K017	Layout:	
Frame:	48	Mounting:	F1	Poles:	04	Created Date:	
Base:	RS	Rotation:	RS	Insulation:	B	Eff. Date:	06-25-2012
Leads:	2#16 A PH,3#18 B&J	Literature:		Elec. Diagram:		Replaced By:	

Nameplate NP1203A03							
CAT.NO.	RSP3441A	ENCL	OPEN				
SPEC.	17K017W440	FRAME	48				
HP	.5						
VOLTS	115						
AMPS	7.2						
RPM	1725						
HZ	60	PH	1	CL	B		
SER.F.	1.25	DES	-	CODE	M		
FL EFF	66	PF	67				
RATING	40C AMB-CONT						
SF AMP	8.4	USABLE AT 208V					
SER.							
MANUAL	N	AUTO	Y	NONE	N		

Parts List		
Part Number	Description	Quantity
SA077102	SA 17K017W440	1.000 EA
RA070667	RA 17K017W440	1.000 EA
TPMRJ16RX	THERMAL 1PH 0.75 AUT 120C	1.000 EA
TB0167A01	6 POS SHORT FOOT 300&500 SERIES (27-20,2	1.000 EA
WD1540A01	TERMINAL, 187 SERIES 500 SERIES MAG-MATE	2.000 EA
WD1540A04	TERMINAL, 187 SERIES 300 SERIES MAG-MATE	2.000 EA
WD4100A49	CAPLUG,BP-13/16,PLUG W/RECESSED HEAD	1.000 EA
11XT0832G06	8-32 X 3/8 TY 23 TAPPING	1.000 EA
LD5000A52	LEAD ASSY W/INTERNAL STAR RING TERMINALS	1.000 EA
11XT1032A06	10-32 X 3/8 HX WSHR HD SLTD TYPE 23	2.000 EA
51XW0832A07	8-32 X .44, TAPTITE II, HEX WSHR SLTD SE	4.000 EA
XY0832A02	8-32 HEX NUT	4.000 EA
17EP3200BT04	FR ENDPLATE, MACH W/HUB	1.000 EA
RM1000A08	CUSHION RING, MDL 17-33-34	1.000 EA
HA7304	CUSHION RING STRAP, 17 FRAME RESILIENT M	2.000 EA
51XN1032A16	10-32 X 1.000 HX WS SL SR	1.000 EA
XY1032A02	10-32 HEX NUT DIRECTIONAL SERRATION	1.000 EA
34CB4501SP	TERMINAL BOX LID, STAMPED X (PLATED)	1.000 EA
HW5100A03SP	WAVY WASHER (W1543-017)	1.000 EA
17EP3100B01	PU ENDPLATE, MACH W/HUB	1.000 EA
RM1000A08	CUSHION RING, MDL 17-33-34	1.000 EA
HA7304	CUSHION RING STRAP, 17 FRAME RESILIENT M	2.000 EA
51XN1032A16	10-32 X 1.000 HX WS SL SR	1.000 EA
XY1032A02	10-32 HEX NUT DIRECTIONAL SERRATION	1.000 EA

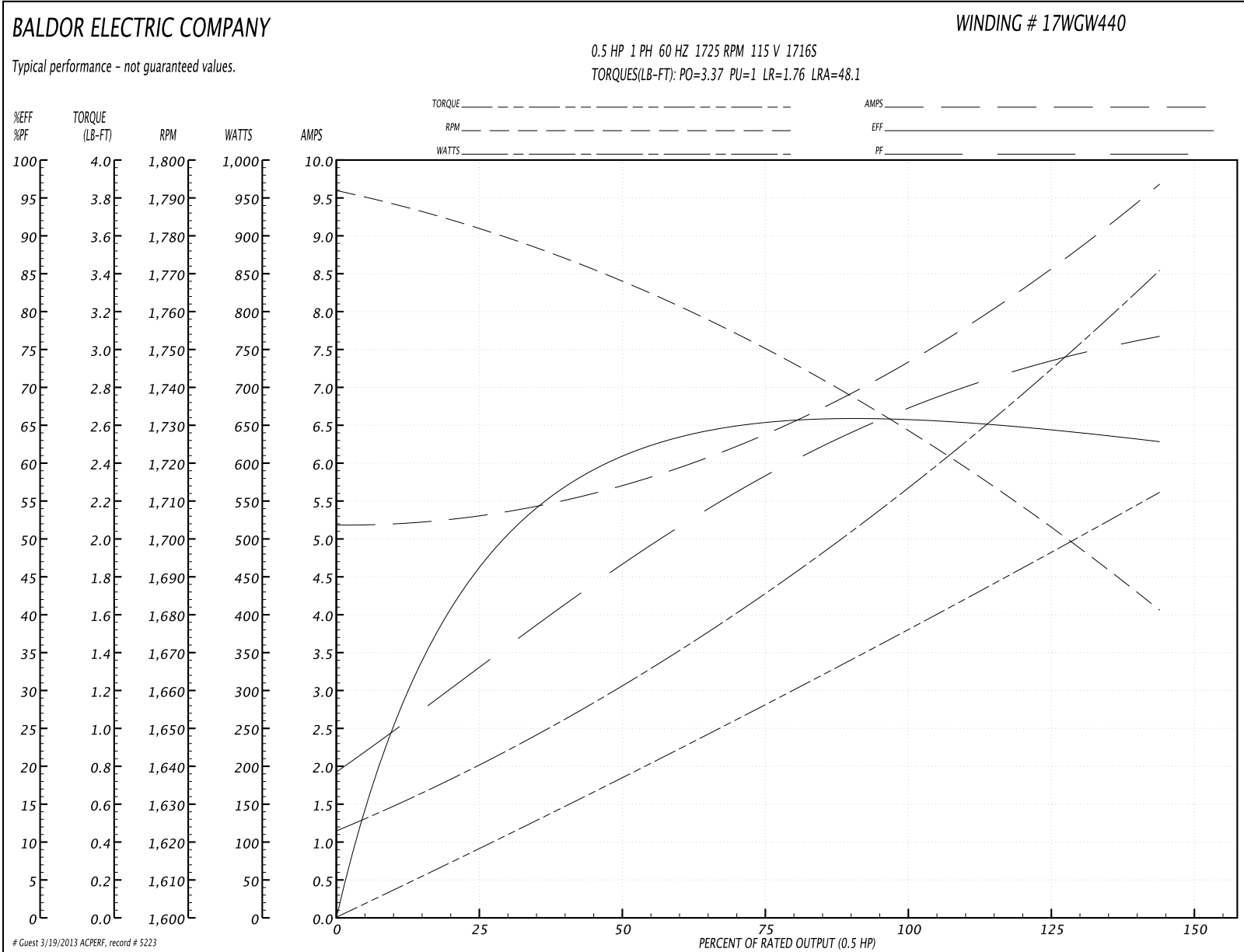
Parts List (continued)		
Part Number	Description	Quantity
51XW0832A07	8-32 X .44, TAPTITE II, HEX WSHR SLTD SE	2.000 EA
17BA4002B01A	RESIL MTD BASE 17 NEMA 48 W/48-56 MTG AU	1.000 EA
SP5111A10	17S TERM PANEL SWITCH W/TABS &.75" THRM	1.000 EA
HA3169A04	THRUBOLT #8-32 THDS X 7.562" LONG	4.000 EA
LB1171	LABEL CARTON 6X6 ON LINE BLANK ROLLS	1.000 EA
LB5040	INSTRUCTION TAG, AC & DC	1.000 EA
NP1203A03	NP LABEL 1PH, SV, REV (FOR COMMERCIAL MO	1.000 EA
34PA1002	PACKING GROUP, BALDOR	1.000 EA
LD5309A01	LEAD ASSY, ML14-8C16 5" W/(2) WD1000A15	1.000 EA
LD5318A01	LD ASSY, ML14-1E16, 6", W/(1) WD1000A15	1.000 EA
LD5000A353	LD ASSY, ML1400AE16, 5", FLAG, .2" STRIP	1.000 EA
LD53723	LEAD ASSY. MAG MATE	1.000 EA
LB1506	LABEL "AMERICAN MADE" 1.50 X 1.00	1.000 EA

Performance Data at 115V, 60Hz, 0.5HP (Typical performance - Not guaranteed values)

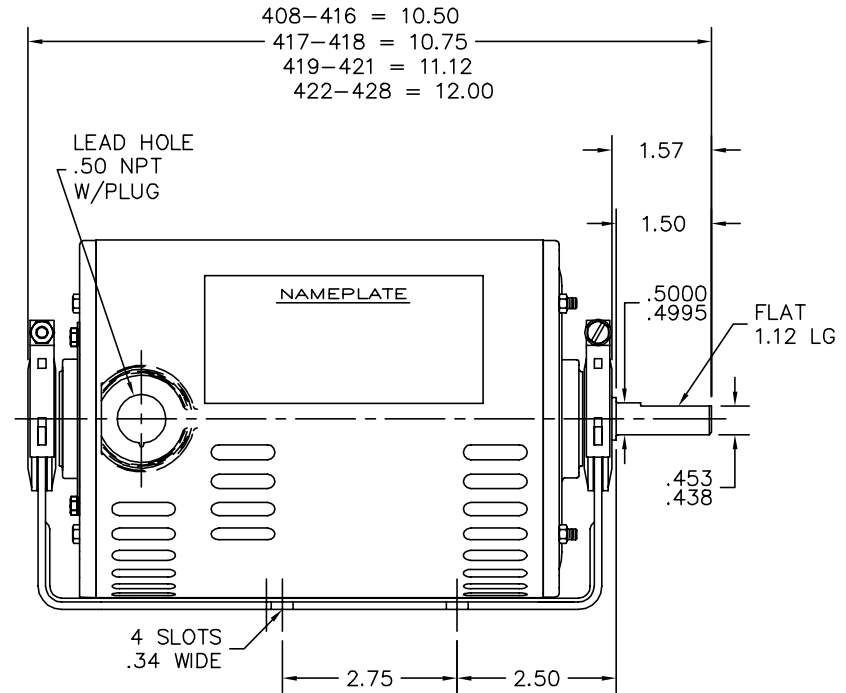
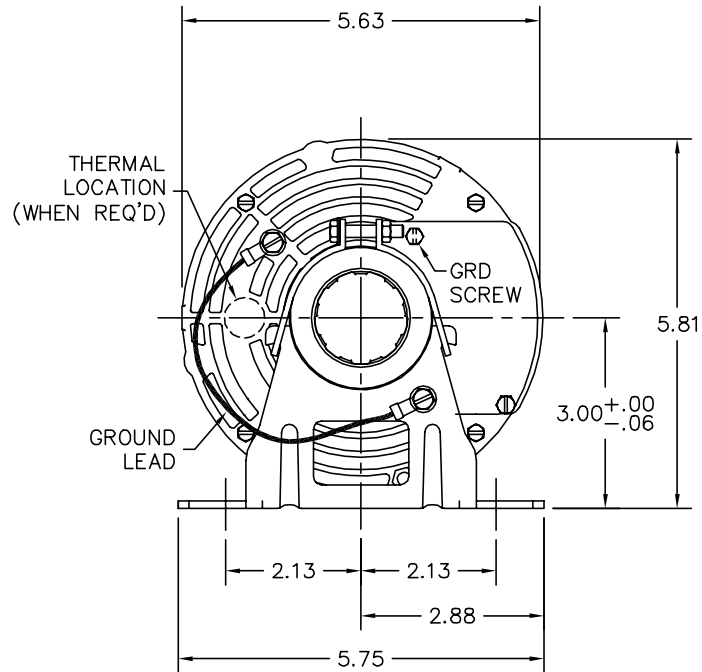
General Characteristics			
Full Load Torque:	1.5 LB-FT	Start Configuration:	DOL
No-Load Current:	5.16 Amps	Break-Down Torque:	3.37 LB-FT
Line-line Res. @ 25°C.:	1.37 Ohms A Ph / 4.16 Ohms B Ph	Pull-Up Torque:	1.0 LB-FT
Temp. Rise @ Rated Load:	67 C	Locked-Rotor Torque:	1.76 LB-FT
Temp. Rise @ S.F. Load:	87 C	Starting Current:	48.1 Amps

Load Characteristics							
% of Rated Load	25	50	75	100	125	150	S.F.
Power Factor:	34.0	48.0	59.0	67.0	74.0	78.0	74.0
Efficiency:	46.7	60.2	65.2	66.1	65.1	62.5	65.1
Speed:	1781.0	1766.0	1750.0	1732.0	1707.0	1680.0	1707.0
Line Amperes:	5.33	5.76	6.35	7.23	8.44	9.68	8.44

Performance Graph at 115V, 60Hz, 0.5HP Typical performance - Not guaranteed values



17LYK017



CUSTOMER IS RESPONSIBLE FOR DETERMINING THAT BALDOR'S PRODUCT WILL PERFORM SUITABLY IN THE INTENDED APPLICATION.

REV. DESC: FIX LEAD WIRE LOCATION GRAPHICS (SEE ZTR02 NOTES)		
REV. LTR: B	VERSION: 01	TDR: 000000566913
FILE: \AAA\00077\465		REVISED: 09:50:27 11/13/2010
MTL: -		BY: ENBENBO

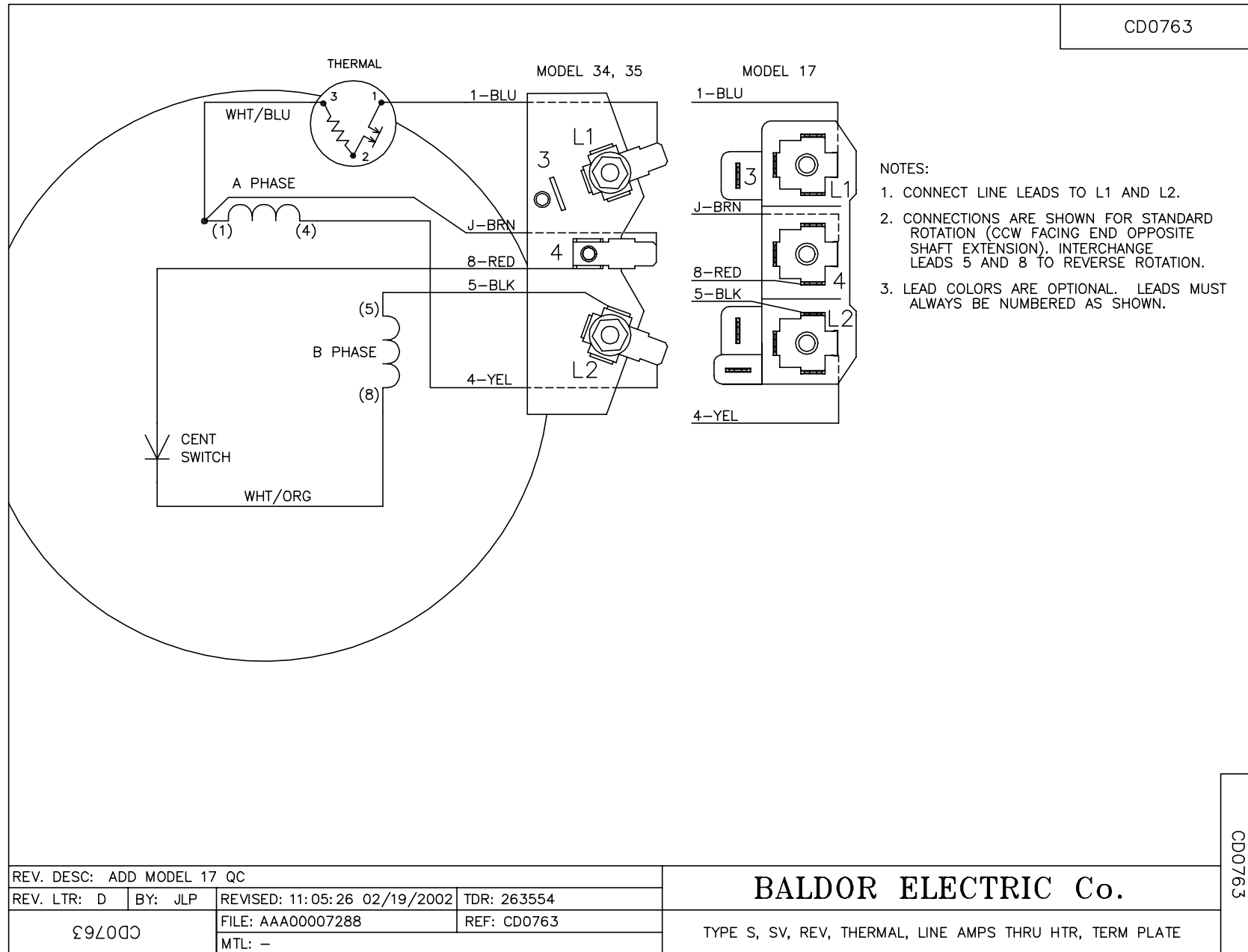
BALDOR

RESIL 17S NEMA 48 OPEN

SH 1 of 1

17LYK017

CD0763



REV. DESC: ADD MODEL 17 QC			
REV. LTR: D	BY: JLP	REVISED: 11:05:26 02/19/2002	TDR: 263554
CD0763		FILE: AAA00007288	REF: CD0763
		MTL: -	

BALDOR ELECTRIC Co.

TYPE S, SV, REV, THERMAL, LINE AMPS THRU HTR, TERM PLATE

CD0763