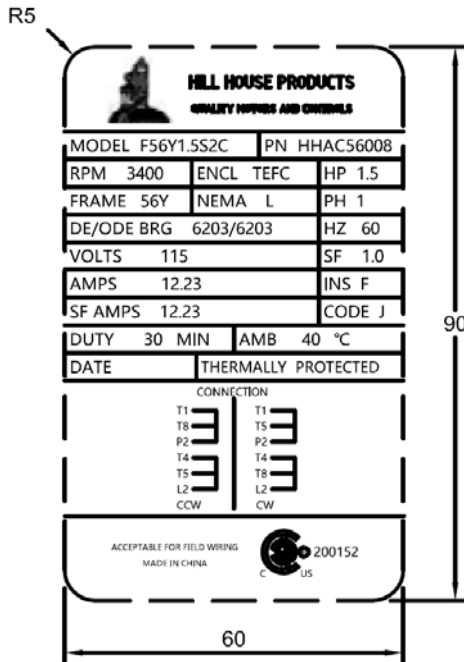


MK Diamond Products, Inc.
 1315 Storm Parkway
 Torrance, CA 90509-2803

SPECIFICATION SHEET			Date 10/14/19
MK Part Number 168022GH	MK Description MTR, 1.5HP 115VAC 3400RPM, HHAC56008	Revision -	
Manufacturer/Supplier P/N HHAC56008	Manufacturer/Vendor Description 1.5HP 56 FRAME AC MOTOR		
Manufacturer Information	Supplier Information HILL HOUSE PRODUCTS SAN CLEMENTE, CA	Alternate Manufacturer	

Specifications:

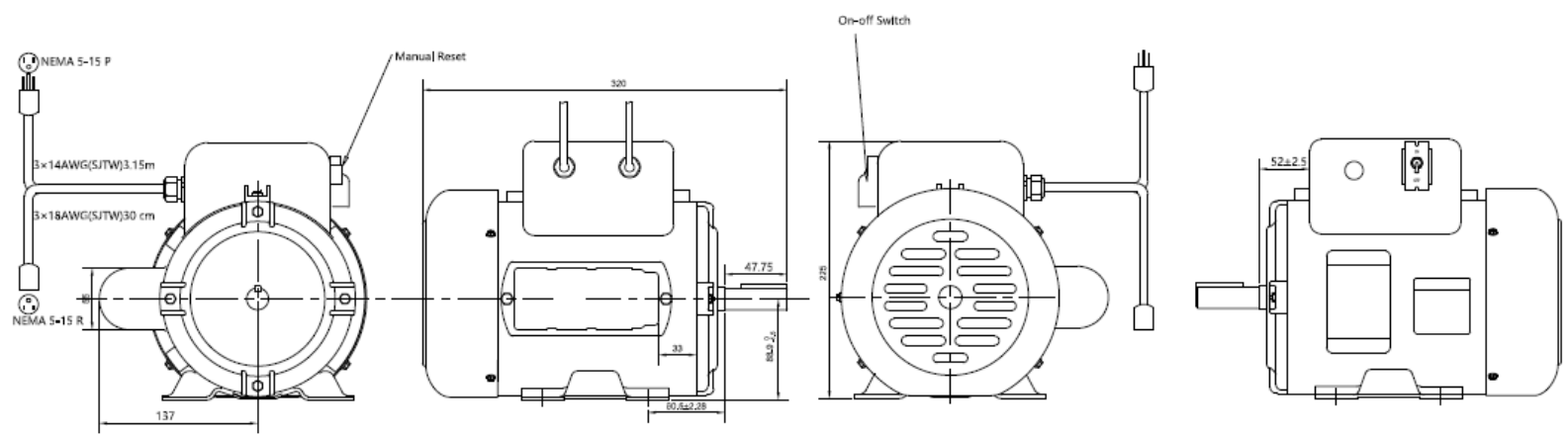


REPLACEMENT PARTS:

- 172912 COVER, FAN 8HL.306.025A
- 172913 FAN 8HL.435.013
- 172914 COVER, CAPACITOR 8HL.309.005 (This is the small side cover)
- 172915 CAPACITOR, START 300mF/165V (This cap is located inside the small side cover)
- 172916 CAPACITOR, RUN 60mF/250V
- 172917 CORD, POWER W/ PLUG 14AWG(SJTW) 3.15M
- 172918 CORD, PUMP W/ RECEPTACLE 18AWG(SJTW) 30CM
- 172919 SWITCH, THERMAL, TC4-O-E-1-40-V18-1
- 172920 SWITCH, ON/OFF HY29E
- 173152 HOUSING, CAPACITOR, 168022GH NNMP5691
- 173152-1 GASKET, HOUSING, CAPACITOR 168022GH

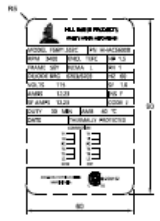
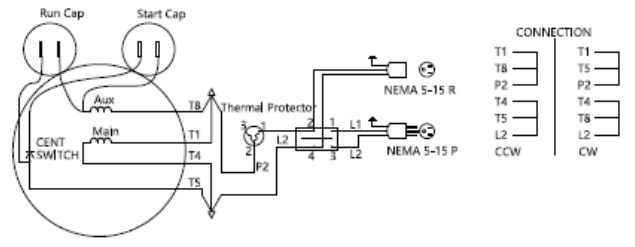
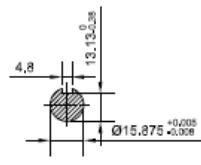
Rev	Description	Date	Approved
-	CREATED SPEC SHEET	10/14/19	SSH

REV	DATE	BY	CHK	APP



NOTES:

- HILLHOUSE P/N HHAC56008
- MODEL NUMBER F56Y1.5S2C
- MOTOR WAS WORKING ON 115 VOLT 60 HZ, OUTPUT POWER 1.5HP, 3400RPM, 1.0SF FRAME 56Y; INSULATION CLASS WAS CLASS F;
- MOTOR MUST BE CSA LISTED.
- MOTOR BODY AND COVER SHOULD BE PAINTING ,THE COLOR WAS PANTONE 7494C.



VOLT	HZ	NO LOAD (MAX)		FULL LOAD				LOCKED ROTOR		BDT
		WATTS	AMPS	TORQUE (N-m)	AMPS (Normal)	WATTS (Normal)	SPEED (Normal)	TORQUE (N-m)	AMPS	N-m (REF.)
115	60	255	3.1	3.13	12.2	1530	3400	5.2	54.6	5.5

DATE	BY	CHK	APP	REV

HILL HOUSE PRODUCTS	
1.5HP 56 Frame AC motor	HHAC56008