

MK Diamond Products, Inc.
 1315 Storm Parkway
 Torrance, CA 90509-2803

SPECIFICATION SHEET			Date 06/24/15																				
MK Part Number 161099	MK Description MTR, 1-1/2HP 115V 60HZ 1PH	Revision -																					
Manufacturer P/N 19E126W211G1	Manufacturer Description 1.5HP,1725RPM,1PH,60HZ,56,1924LC,TEFC,F1																						
Manufacturer Information Baldor Motors Ft. Smith, AR		Alternate Manufacturer None																					
Specifications: See following pages for specs <u>Replacement Parts</u>																							
<table border="1" style="width: 100%; border-collapse: collapse;"> <thead> <tr> <th style="width: 20%;">Item</th> <th style="width: 20%;">Baldor P/N</th> <th style="width: 20%;">MK P/N</th> <th style="width: 40%;">MK Description</th> </tr> </thead> <tbody> <tr> <td>Start Capacitor</td> <td>EC4189A01</td> <td>162682</td> <td>CAPACITOR,START,EC4189A01</td> </tr> <tr> <td>Run Capacitor</td> <td>OC3050C09</td> <td>162681</td> <td>CAPACITOR,RUN,OC3050C09</td> </tr> <tr> <td>Capacitor Housing</td> <td>35CB3801A102L</td> <td>164864</td> <td>HOUSING, CAP, 35CB3801A102L MTR# 161099 2001SV</td> </tr> <tr> <td>Thermal O/L Switch</td> <td>TPCRT16CB</td> <td>170154</td> <td>SWITCH,THERMAL O/L TPCRT16CD</td> </tr> </tbody> </table>				Item	Baldor P/N	MK P/N	MK Description	Start Capacitor	EC4189A01	162682	CAPACITOR,START,EC4189A01	Run Capacitor	OC3050C09	162681	CAPACITOR,RUN,OC3050C09	Capacitor Housing	35CB3801A102L	164864	HOUSING, CAP, 35CB3801A102L MTR# 161099 2001SV	Thermal O/L Switch	TPCRT16CB	170154	SWITCH,THERMAL O/L TPCRT16CD
Item	Baldor P/N	MK P/N	MK Description																				
Start Capacitor	EC4189A01	162682	CAPACITOR,START,EC4189A01																				
Run Capacitor	OC3050C09	162681	CAPACITOR,RUN,OC3050C09																				
Capacitor Housing	35CB3801A102L	164864	HOUSING, CAP, 35CB3801A102L MTR# 161099 2001SV																				
Thermal O/L Switch	TPCRT16CB	170154	SWITCH,THERMAL O/L TPCRT16CD																				
Rev	Description	Date	Approved																				
-	INITIAL RELEASE	06/24/15	JRJ																				

BALDOR® • RELIANCE

Product Information Packet

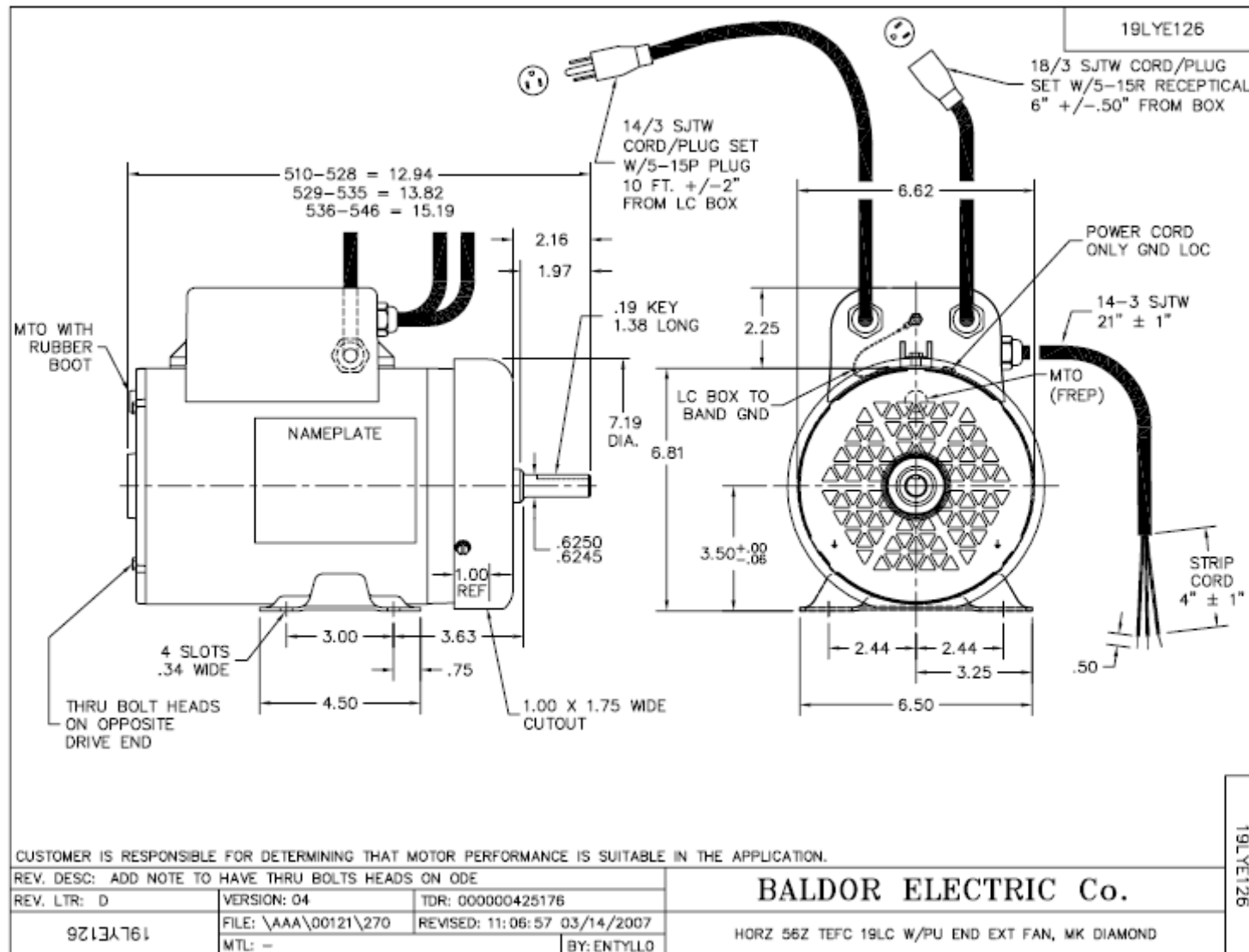
MK DIAMOND PRODUCTS

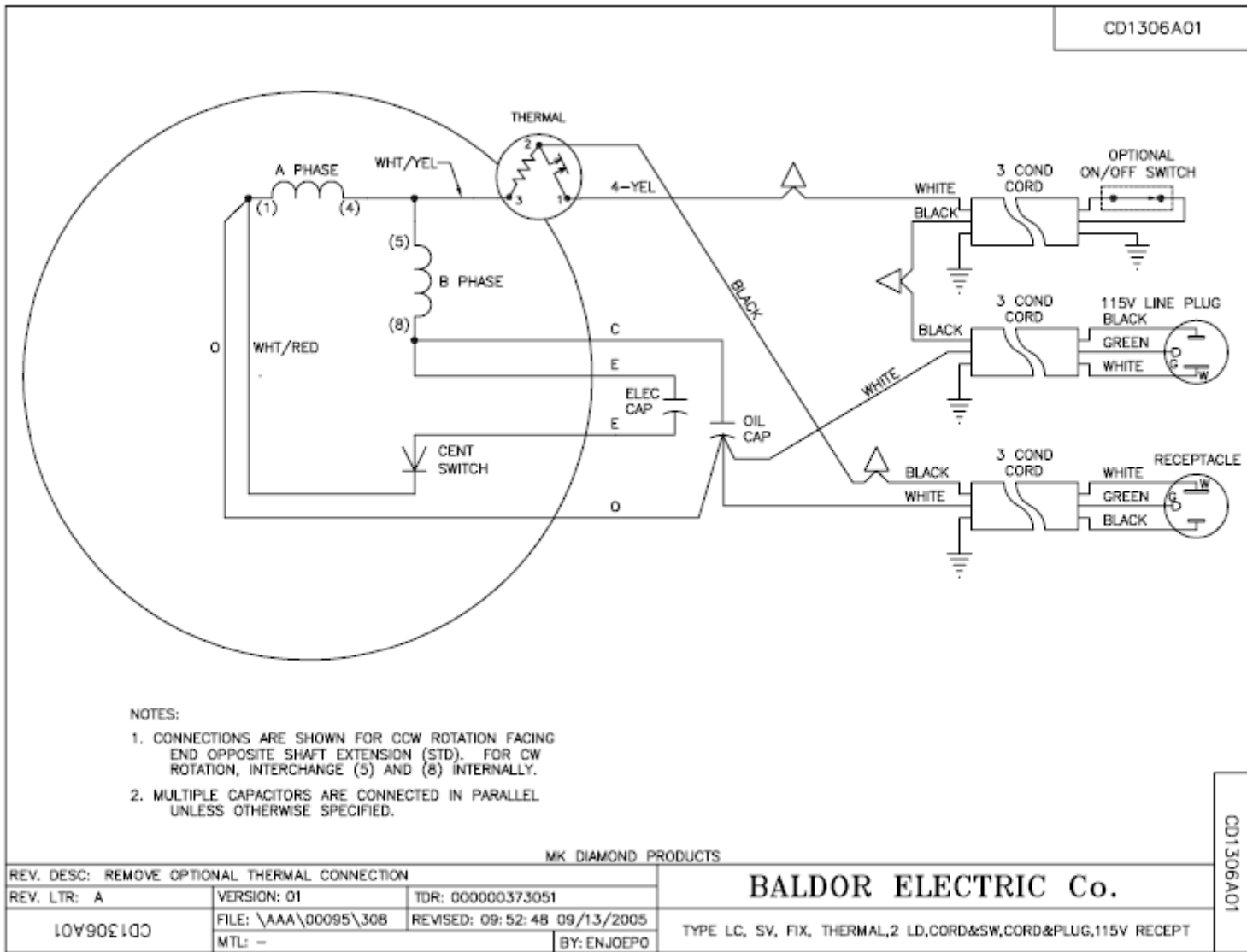
1.5HP, 1725RPM, 1PH, 60HZ, 56, 1924LC, TEFC, F1

Product Detail							
Revision:	L	Status:	PRD/A	Change #:		Proprietary:	Yes
Type:	AC	Prod Type:	1924LC	Elec. Spec:	19WGW211	CD Diagram:	CD1306A01
Enclosure	TEFC	Mfg Plant:		Mech Spec:	19E126	Layout:	19LYE126
Frame:	56	Mounting:	F1	Poles:	04	Created Date:	
Base:	RG	Rotation:	FS	Insulation:	B	Eff. Date:	08-13-2007
Leads:	2#14,4#18					Replaced By:	
Nameplate NP1986A							
CAT.NO.		ENCL	TEFC				
SPEC.	19E126W211G1	FRAME	56				
HP	1.5						
VOLTS	115						
AMPS	14.4						
RPM	1725						
HZ	60	PH	1	CL	B		
SER.F.	1.00	DES	-	CODE	G		
FL EFF	78.5	PF	87				
RATING	40C AMB-S8						
SF AMP		USABLE AT 208V					
SER.							
MANUAL	Y	AUTO	N	NONE	N		
BLANK	161099						

Parts List			
Product ID	Description	Quantity	List Price
SA121455	SA 19E126W211G1	1.000	224.00
RA112105	RA 19E126W211G1	1.000	187.00
OC3050C09	CYL OIL CAP 50MFD/240V	1.000	75.00
TPCRT16CD	THERMAL 1PH 1.00 MAN 135C	1.000	27.00
EC4189A01	ELEC CAP, 189-227 MFD, 125V, 1.48D X 2.	1.000	9.00
TP5059	GENERIC THERMAL KIT	1.000	5.00
HW3000B65	EYELET, STIMP #A-1085 FOR .88 DIA HOLE	1.000	2.00
11XW1032G06	10-32 X .38, TAPTITE II, HEX WSHR SLTD U	2.000	2.00
HA6015A02	THERMAL RETAINER (PLATED)	1.000	2.00
NS2500A02	INSULATOR, MAN THER PROT	1.000	2.00
RM1101	BOOT PROTECTOR FOR MANUAL THERMAL	1.000	3.00
51XT0832A10	8-32 X 5/8 SCREW, SER HX WS SLT, ZN	2.000	2.00
19EP3203C02	PU EP MACH 19 FRAME 203 BRG ENCL NO HUB,	1.000	34.00
51XW0832A07	8-32 X .44, TAPTITE II, HEX WSHR SLTD SE	2.000	2.00
35CB3801A102L	CAPACITOR BOX, MACH (BLACK)	1.000	39.00
HA7010	CAPACITOR RETENTION CLAMP	1.000	2.00
37GS3001	GASKET, CAPAC COVER	1.000	2.00
NS2501A02	INSULATOR, CAPACITOR BOX	1.000	2.00
51XB1016A08	10-16X 1/2HXWSSLD SERTYB	2.000	2.00
WD4102A37	HEYCO #3213 LIQ.TIGHT FTG,LTF-11(PG)	3.000	7.00
LD5000A01	LEAD ASSY	1.000	10.00
51XN1032A07	10-32 X 0.438 HX WS SL SR ZN	1.000	2.00
XY1032A02	10-32 HEX NUT DIRECTIONAL SERRATION	1.000	2.00
HW1001A10	WASHER, #10 SPLT LK, ZN X	1.000	2.00

Parts List (continued)			
Product ID	Description	Quantity	List Price
LD5024A04	14/3 SJTW CORDSET W/MOLDED PLUG 10' 6"	1.000	48.00
LD5005A02	CORDSET,18/3 SJTW,BLK 105C 300V (13.0")	1.000	7.00
LD6009A01	CORD, TYPE SJEOOW/SJTOOW, 14-3 24"	1.000	
HW5100A03SP	WAVY WASHER (W1543-017)	1.000	2.00
35EP3101B13	PU EP-ENCL-205 BRG- FAN ON PULLEY END F/	1.000	42.00
XY1032A02	10-32 HEX NUT DIRECTIONAL SERRATION	4.000	2.00
35FN2000A04	EXTERNAL FAN, MACH X	1.000	19.00
80XN2520A06	1/4-20 X 3/8 SET SCREW	2.000	2.00
35FH4005A23	IEC FH NO GRSR W/SPL CUTOUT, W/ AUTOPHER	1.000	100.00
51XW1032A06	10-32 X .38, TAPTITE II, HEX WSHR SLTD S	3.000	3.00
HW2501D13SP	KEY, 3/16 SQ X 1.375	1.000	2.00
HA7000A04	KEY RETAINER 0.625 DIA SHAFTS	1.000	2.00
10XF0440S02	04-40 X 1/8 TYPE F HEX HD STAINLESS STIC	2.000	2.00
LB1385	MTO WARNING LABEL 1.25"OD X .75 ID	1.000	2.00
WD1000D03	TERMINAL, #B87-10 (T&B)	3.000	2.00
WD1000A15	3-520132-2 AMP FLAG (4M/RL NON-CANC/NON-	4.000	2.00
MJ1000A02	GREASE, POLYREX EM EXXON	0.050	9.00
HA3100A18	THRUBOLT 10-32 X 9.250	4.000	2.00
SP5051A78	MODEL 35 TORQ STATIONARY SWITCH W/ LEADS	1.000	24.00
LB1172A01	CUSTOM MTR CARTON LABEL LASER PRINTER	1.000	2.00
NP1986A	CM NAMEPLATE, BOXES, UL & CSA	1.000	
35PA1088	BULK PACK KIT, 8 PK	1.000	21.00





NOTES:

1. CONNECTIONS ARE SHOWN FOR CCW ROTATION FACING END OPPOSITE SHAFT EXTENSION (STD). FOR CW ROTATION, INTERCHANGE (5) AND (8) INTERNALLY.
2. MULTIPLE CAPACITORS ARE CONNECTED IN PARALLEL UNLESS OTHERWISE SPECIFIED.