

BALDOR® • **RELIANCE**

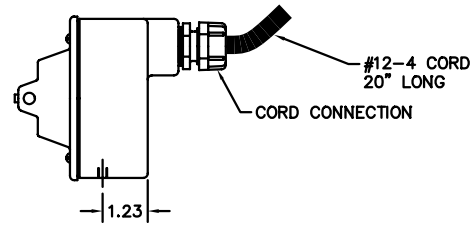
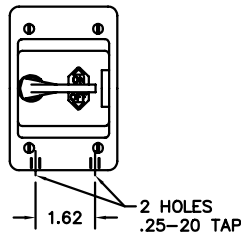
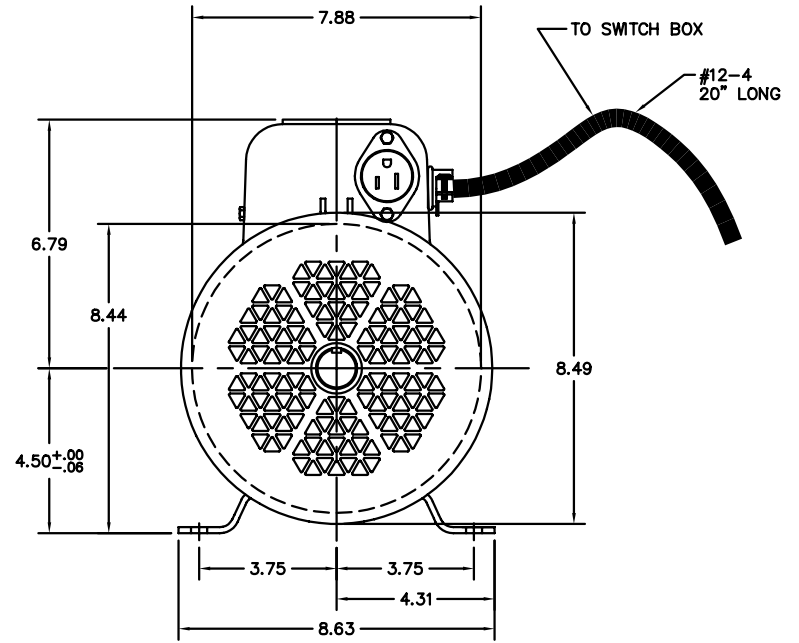
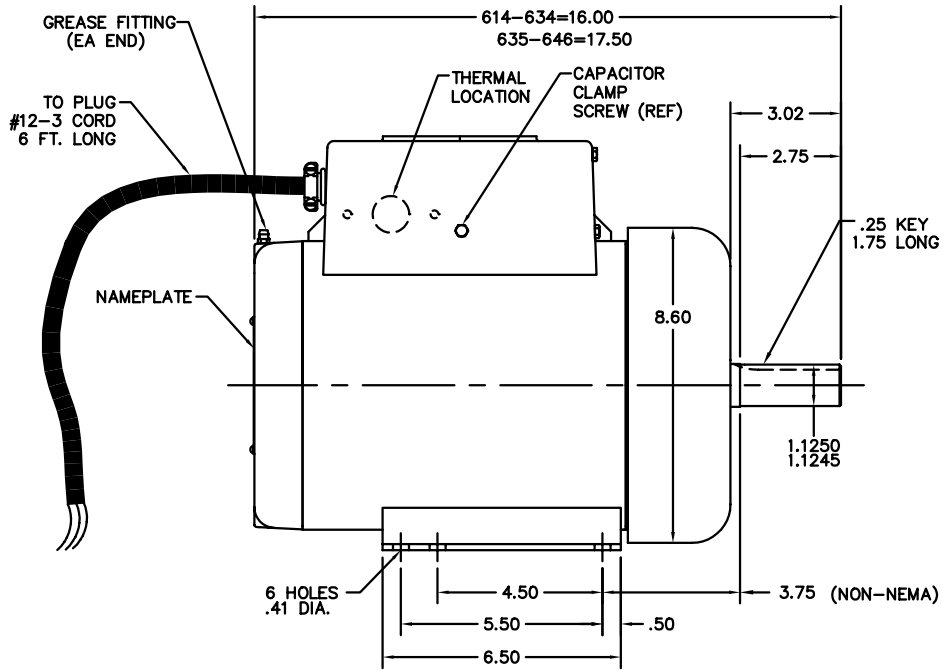
Product Information Packet

36J655Y994G1

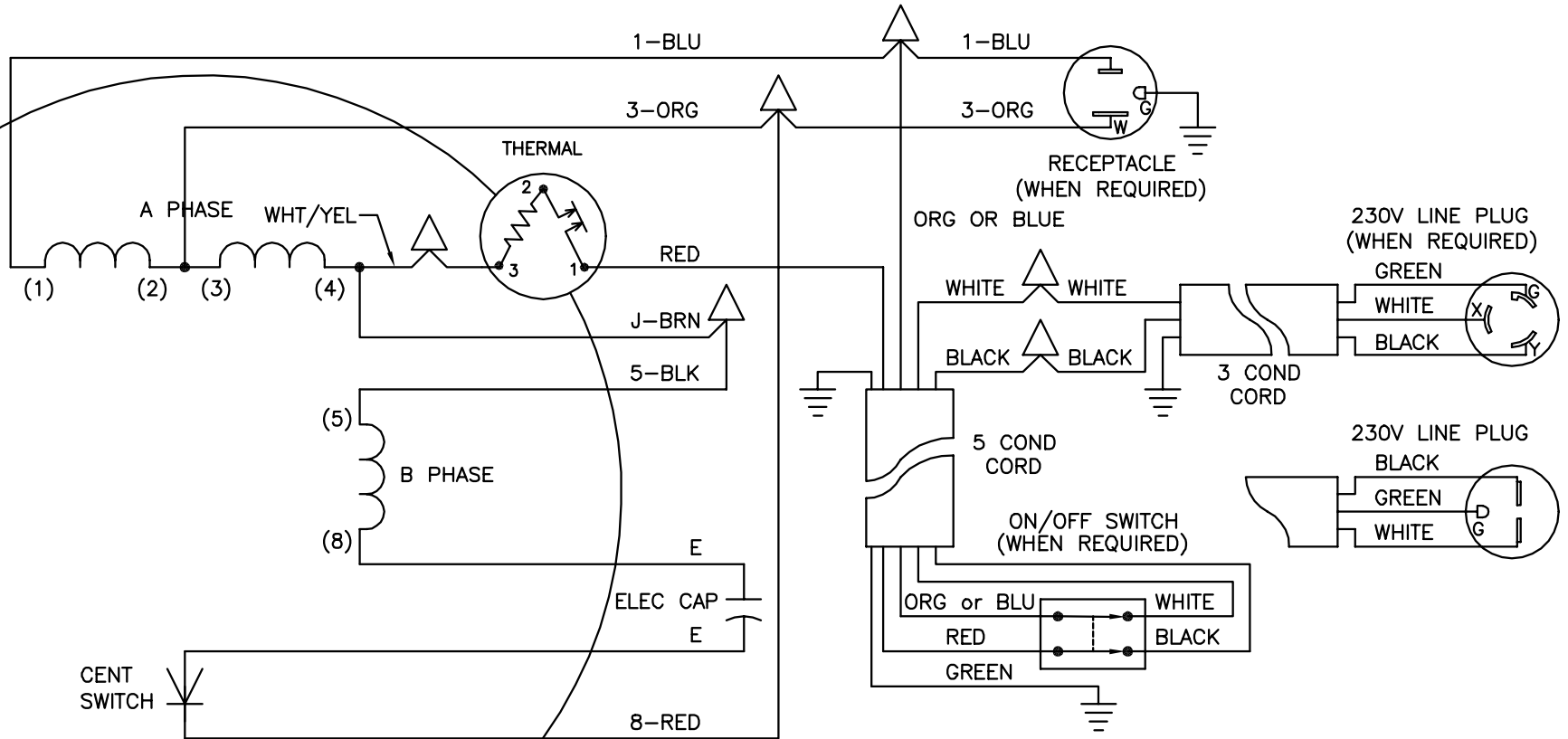
5HP,2850RPM,1PH,50HZ,184T,3634L,TEFC,F1

Part Detail							
Revision:	C	Status:	INA/A	Change #:		Proprietary:	Yes
Type:	AC	Prod. Type:	3634L	Elec. Spec:	36WGY994	CD Diagram:	
Enclosure:	TEFC	Mfg Plant:		Mech. Spec:	36J655	Layout:	
Frame:	184T	Mounting:	F1	Poles:	02	Created Date:	
Base:	RG	Rotation:	RS	Insulation:	B	Eff. Date:	03-20-2005
Leads:	2#12,3#18 ACCESSORY	Literature:	Y	Elec. Diagram:		Replaced By:	

Nameplate NP1308									
CAT.NO.									
SPEC.	36J655Y994G1								
HP	5 SAW DUTY								
VOLTS	230								
AMP	23								
RPM	2850								
FRAME	184T	HZ			50	PH	1		
SER.F.	1.15	CODE			F	DES	L	CLASS	B
NEMA-NOM-EFF	PF								
RATING	40C AMB-CONT								
CC	USABLE AT 208V			N/A					
DE	6206	ODE			6205				
ENCL	TEFC	SN							



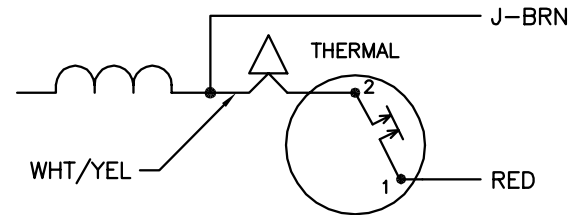
CUST. NAME		CUST. P.O.		CERTIFIED BY		MODEL		INSUL		AMB	
H.P.	MTG	TYPE	R.P.M.	VOLTS	ENCL	PHASE	FREQ	FRAME			
REV. DESC: NEW											
REV. LTR: -	BY: JR	REVISED: 04/25/00 10:44			TDR: 0207271						
FILE: AAA00074881					MDL: -						
MTL: -					BALDOR ELECTRIC Co.						
HORZ 182-4T TEFC 36L W/1.25 MTO W/EARS (MK DIAMOND)											



NOTES:

1. CONNECTIONS ARE SHOWN FOR CCW ROTATION FACING END OPPOSITE SHAFT EXTENSION (STD). FOR CW ROTATION, INTERCHANGE 5 AND 8 LEADS.
2. MULTIPLE CAPACITORS ARE CONNECTED IN PARALLEL UNLESS OTHERWISE SPECIFIED.
3. LEAD COLORS ARE OPTIONAL. LEADS MUST ALWAYS BE NUMBERED AS SHOWN.

INTERNAL CONNECTION FOR TWO TERMINAL THERMAL



REV. DESC: SHOW BLU OR ORG ON THE SWITCH BOX

REV. LTR: E

VERSION: 03

TDR: 000000467105

BALDOR • DODGE • RELIANCE

CD1164

FILE: \AAA\00038\712

REVISED: 12: 40: 57 06/09/2008

TYPE L, SV, REV, TP, CD&PLUG, CORD&SW, 115V RECEPT(SPL POL)

MTL: -

BY: ENCHECO

SH 1 of 1