

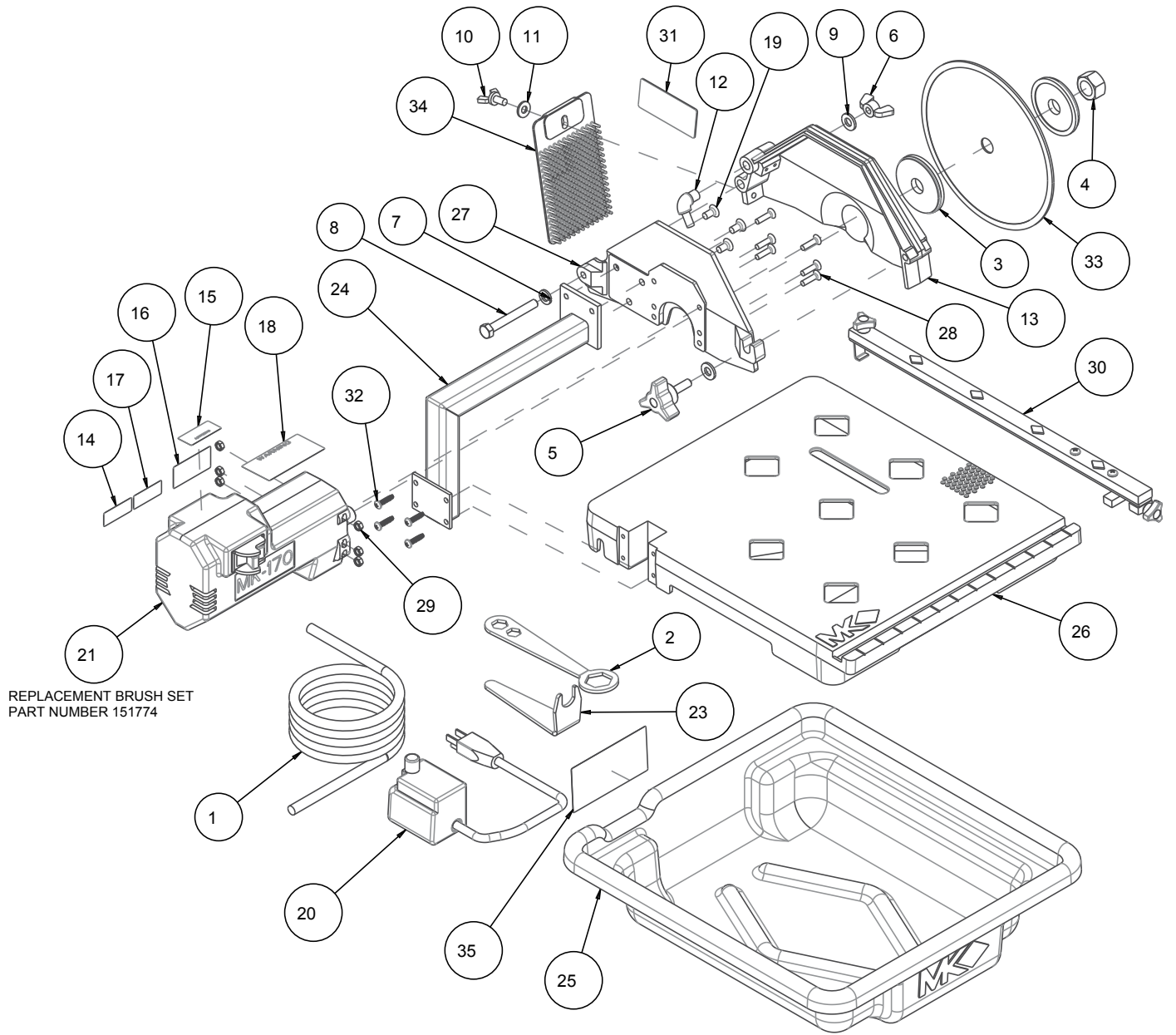
MK-170 TILE SAW PARTS LIST



Revision 111	01.2020
Manual 157243	

Caution: Read all safety and operating instructions before using this equipment. This parts list **MUST** accompany the equipment at all times.

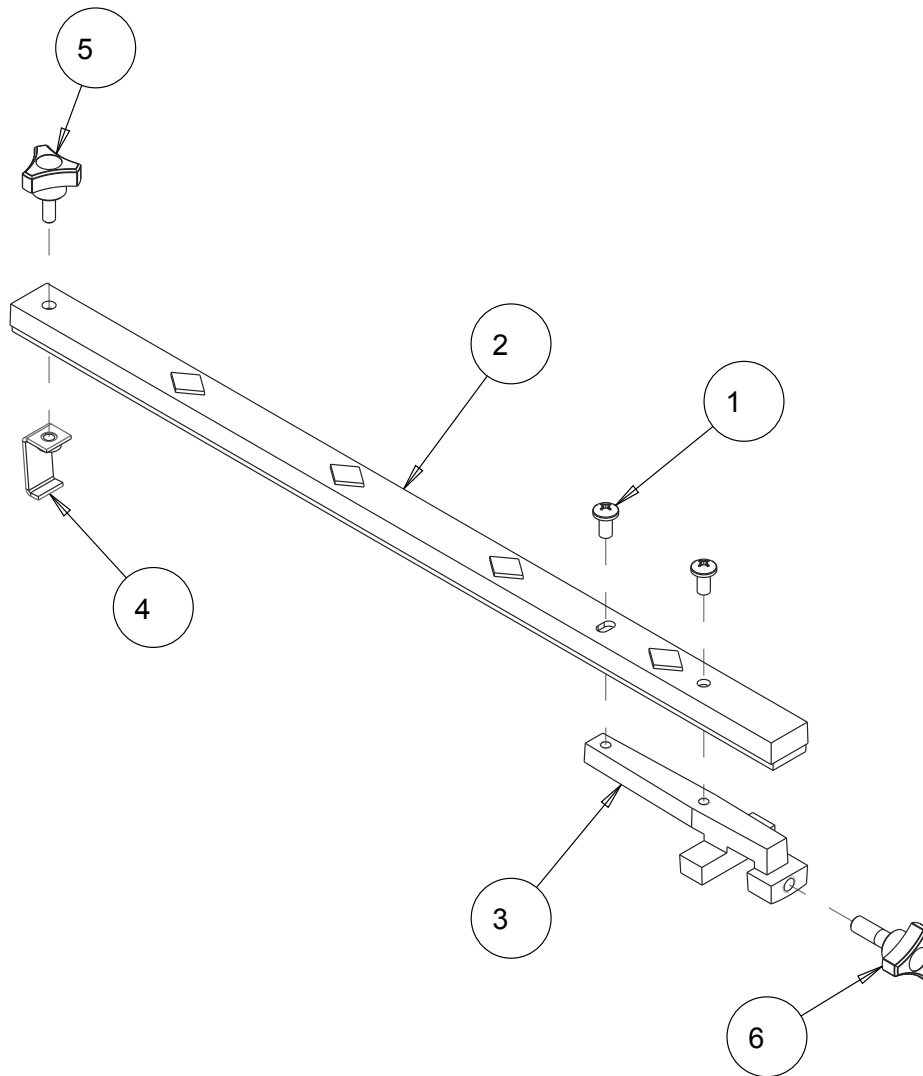
MK-170 TILE SAW PART # 157222



MK-170 TILE SAW PART # 157222

Item	Description	Part #	Qty
1	HOSE, VINYL, 1/4X3/8 (6.0')	132951	1
2	WRENCH, TILE SAW NUT 15/16	134684	1
3	FLANGE, OUTER, 2-3/8	135830	2
4	NUT, HEX, 5/8-18	135848	1
5	KNOB, DAVIES, 5/16-18 X 1	151681	1
6	NUT, WING,NYLK, 5/16-18	151746	1
7	WASHER, LOCK, SPLIT, 5/16	151747	1
8	SCREW, HEX HD, TAP, 5/16-18X2-1/2	151748	1
9	WASHER, FLAT, SAE, 5/16	151754	2
10	SCREW, WING, 1/4-20 X 1/2	151888	1
11	WASHER, FLAT, SAE, 1/4	151915	1
12	ELBOW, 1/8 MNPT X 1/4 BARB 90DEG	154652	1
13	CASTING, BLADE GRD, 7" , COMP	154811	1
14	LABEL, CAUTION, RECPT FOR PUMP	154822	1
15	LABEL, SERVICE INFO	155038	1
16	LABEL, NOTICE, EXT CORDS	155672	1
17	LABEL, CAUTION, GFCI	155678	1
18	LABEL, WARNING, TILESAW SAFETY	155806	1
19	SCREW, FLAT HEAD, 1/4-20 X 1/2 PHIL	155812	3
20	PUMP, WATER 115V, 60HZ	155987-VP	1
21	MTR, 5.0 AMP 115V 50/60HZ	157226-G	1
22	OWNERS MANUAL MK-170	157243	1
23	WRENCH, 90 DEG X 11/16 OPEN END	157244	1
24	ARM, MTR SUPPORT 170	157245	1
25	PAN, PLASTIC MK170	157252	1
26	TABLE MK-170 COMP	157253	1
27	CASTING, 170, MOTOR MOUNT, COMP	157403	1
28	SCREW, FLAT HD, M5-.8X16MM	157404	6
29	NUT, HEX, M5-.8	157405	6
30	ASSY, FENCE MK-170	157406	1
31	TAG, SERIAL NUMBER, BLANK	157500-RW	1
32	SCREW, PAN HD, #8-16X3/4	157505	4
33	MK-HDTCM WET 7X060 X 7/8 CONT	157913	1
34	GUARD, SPLASH	160310	1
35	LABEL, WARNING, SILICA, PROP 65	164202	1

MK-170 TILE SAW, ASSY, FENCE PART #157406



Item	Description	Part #	Qty
1	SCREW, PAN HD, #10-24X3/8	151097	2
2	FENCE, UPPER, MK-170	157247	1
3	FENCE, LOWER, MK-170	157248	1
4	CLIP, FENCE, MK-170	157559	1
5	KNOB, 3 PRONG 10-32X1/2	157583-1	1
6	KNOB, 3 PRONG 1/4-20X3/4	157583-2	1



MK Diamond Products, Inc.

MK Diamond Products, Inc.
1315 Storm Parkway
Torrance, CA 90501

Toll-Free: (800) 421-5830
Phone: (310) 539-5221
Fax: (310) 539-5158
www.mkdiamond.com