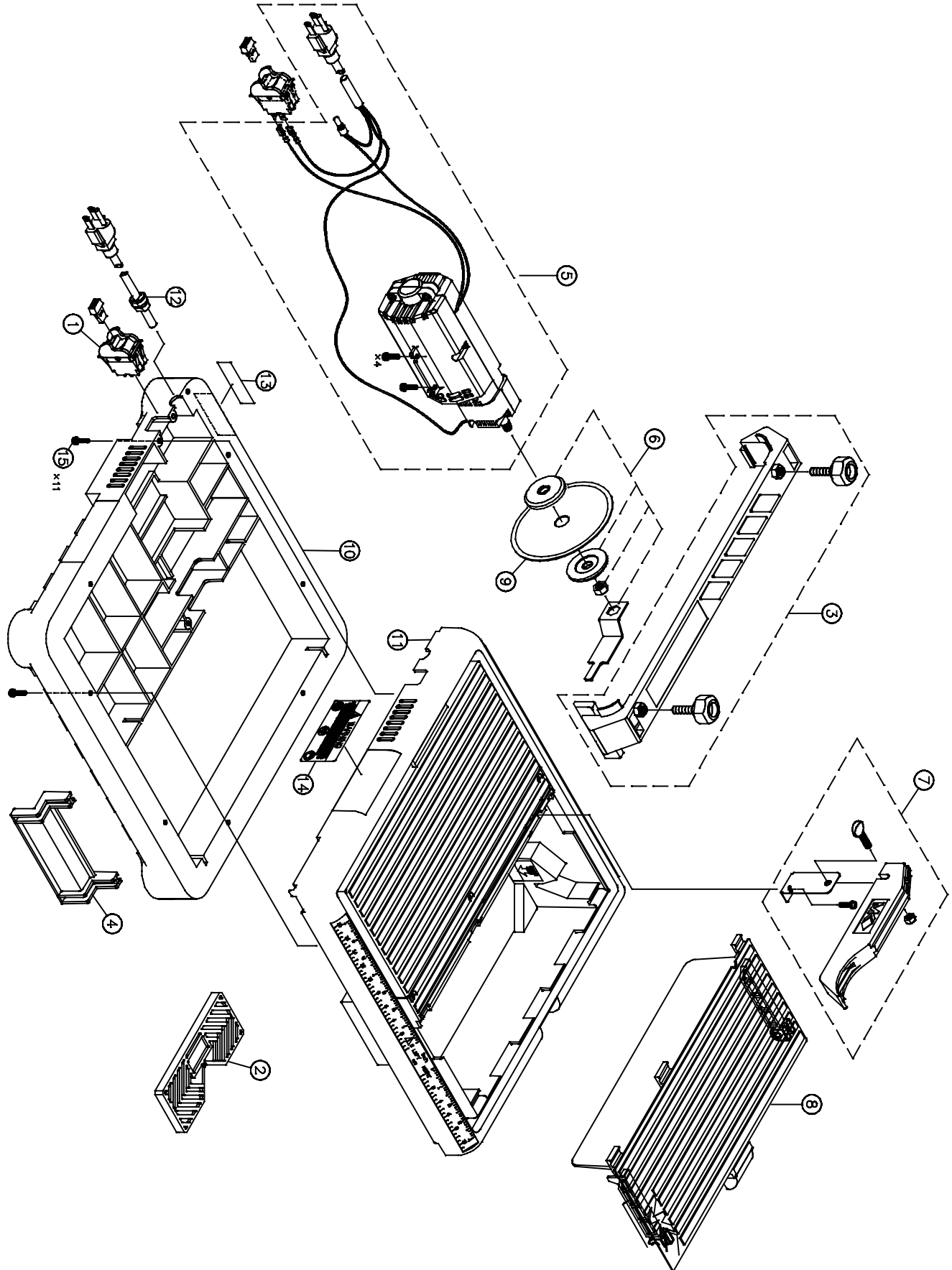


MK-145 TILE SAW PARTS LIST



Revision 105	10.2020
Manual Part# 158286	

Caution: Read all safety and operating instructions before using this equipment. This owner's manual **MUST** accompany the equipment at all times.



ITEM	DESCRIPTION	PART #
1	SWITCH	158303
2	DIAGONAL CUTTING GUIDE	158304
3	ADJUSTABLE CUTTING GUIDE	158305
4	TABLE STOP	158306
5	MOTOR ASSEMBLY	158307
6	FLANGE ASSEMBLY	158308
7	BLADE GUARD ASSEMBLY	158309
8	CUTTING TABLE COVER ASSEMBLY	158310
9	DIAMOND BLADE	158311
10	MK-145 MOLDED BASE	158312
11	MK-145 MOLDED TOP	158313
12	POWER CORD	158314
13	WARNING LABEL	158315
14	NAMEPLATE LABEL	158316
15	MOUNTING SCREWS (TOP TO BASE)	158317



MK Diamond Products, Inc.

MK Diamond Products, Inc.
1315 Storm Parkway
Torrance, CA 90501

Toll-Free: (800) 421-5830
Phone: (310) 539-5221
Fax: (310) 539-5158
www.mkdiamond.com