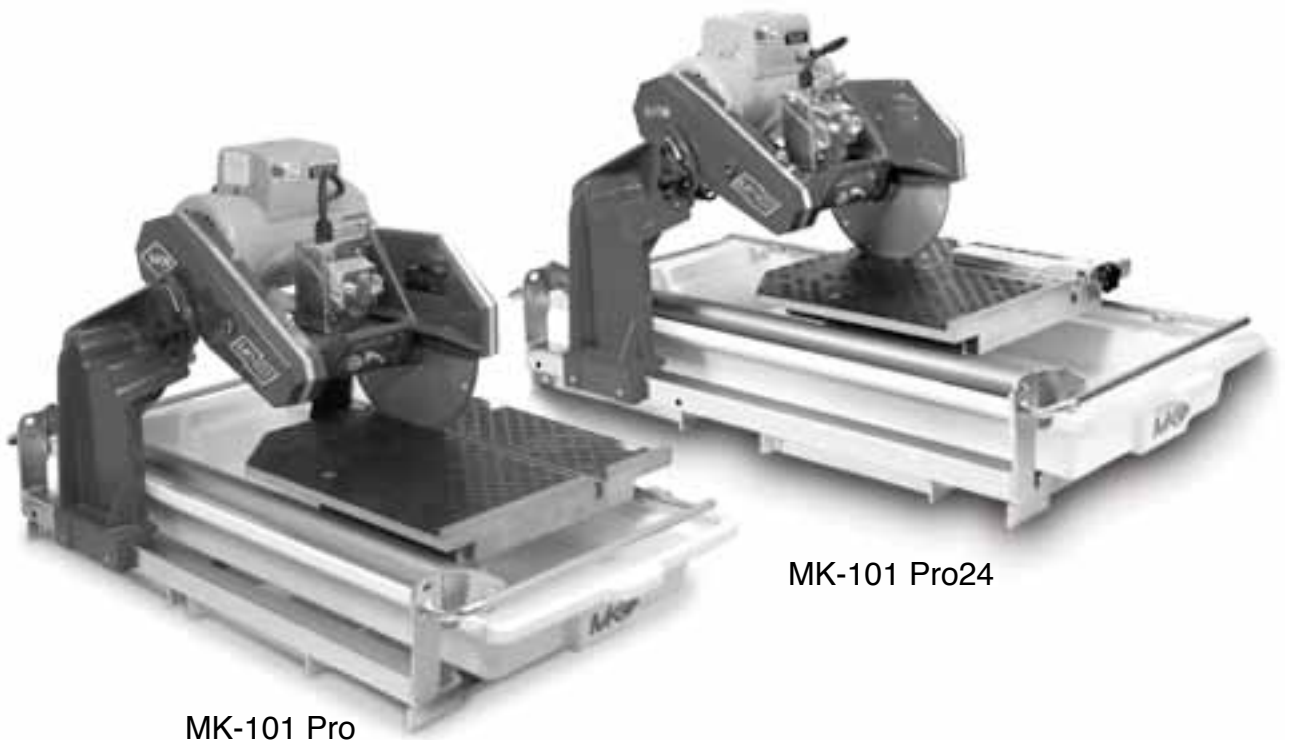


MK-101 Pro and MK-101 Pro 24 Tile Saw

PARTS LIST



MK-101 Pro

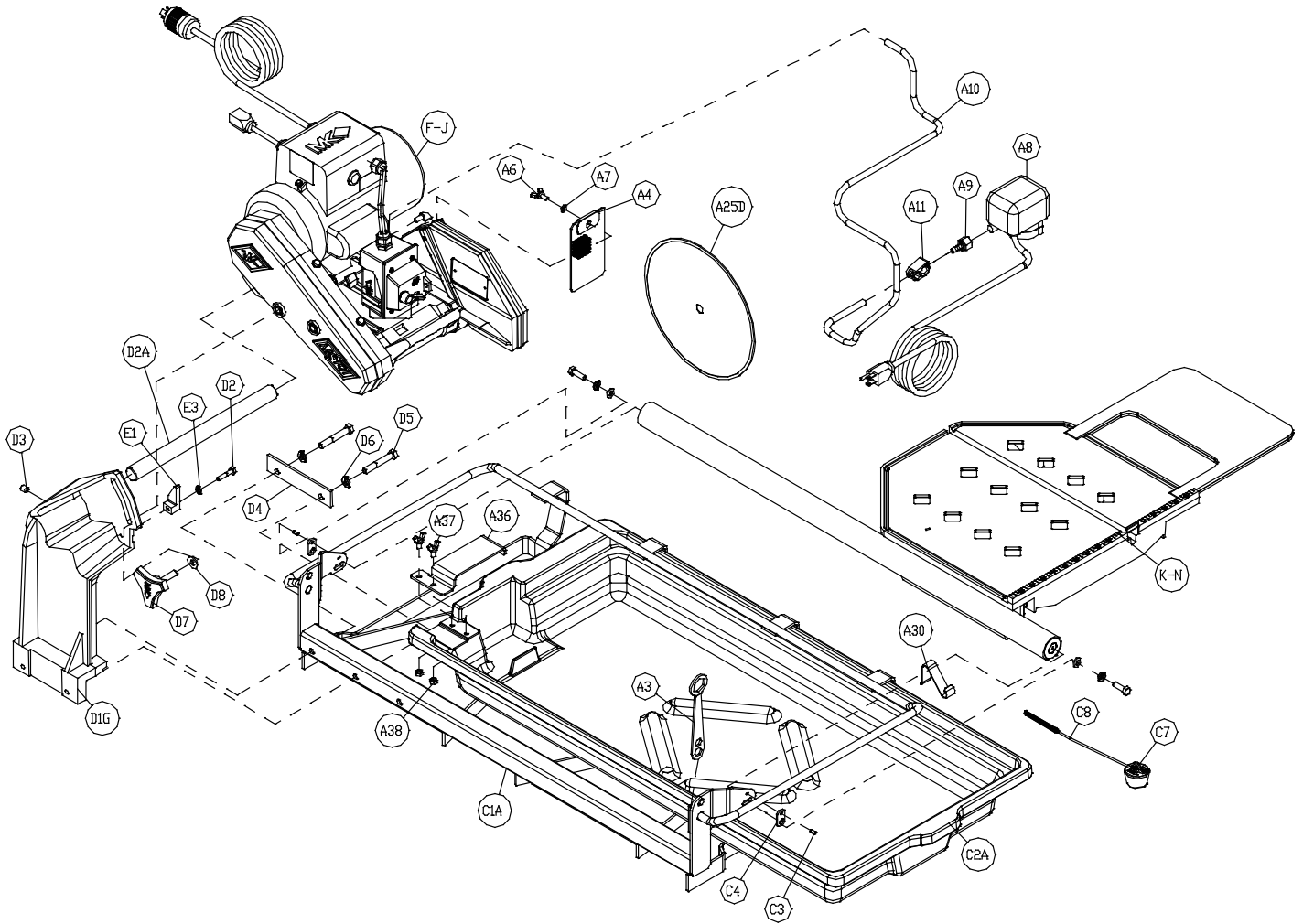
MK-101 Pro24

Revision 204	10.2011
Manual Part No. 158808	

Caution: Read all safety and operating instructions before using this equipment. This owners manual **MUST** accompany the equipment at all times.

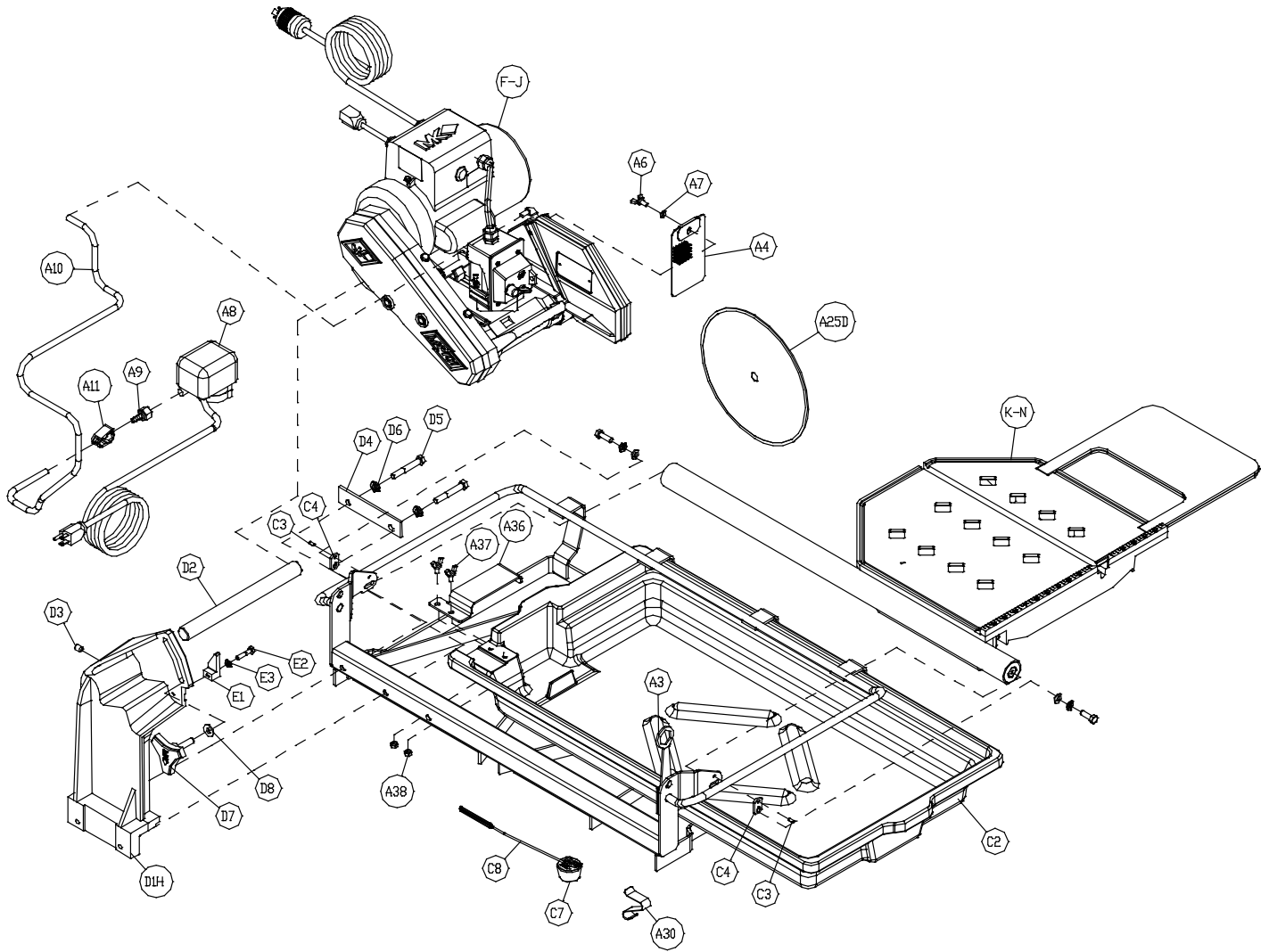
MAINTENANCE VIEW AND PARTS LIST

MK-101 PRO 24 SAW

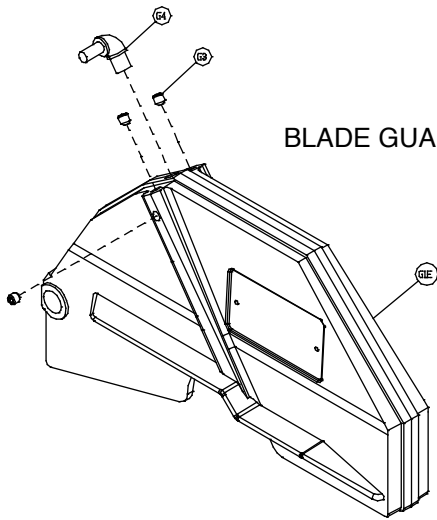


MAINTENANCE VIEW AND PARTS LIST

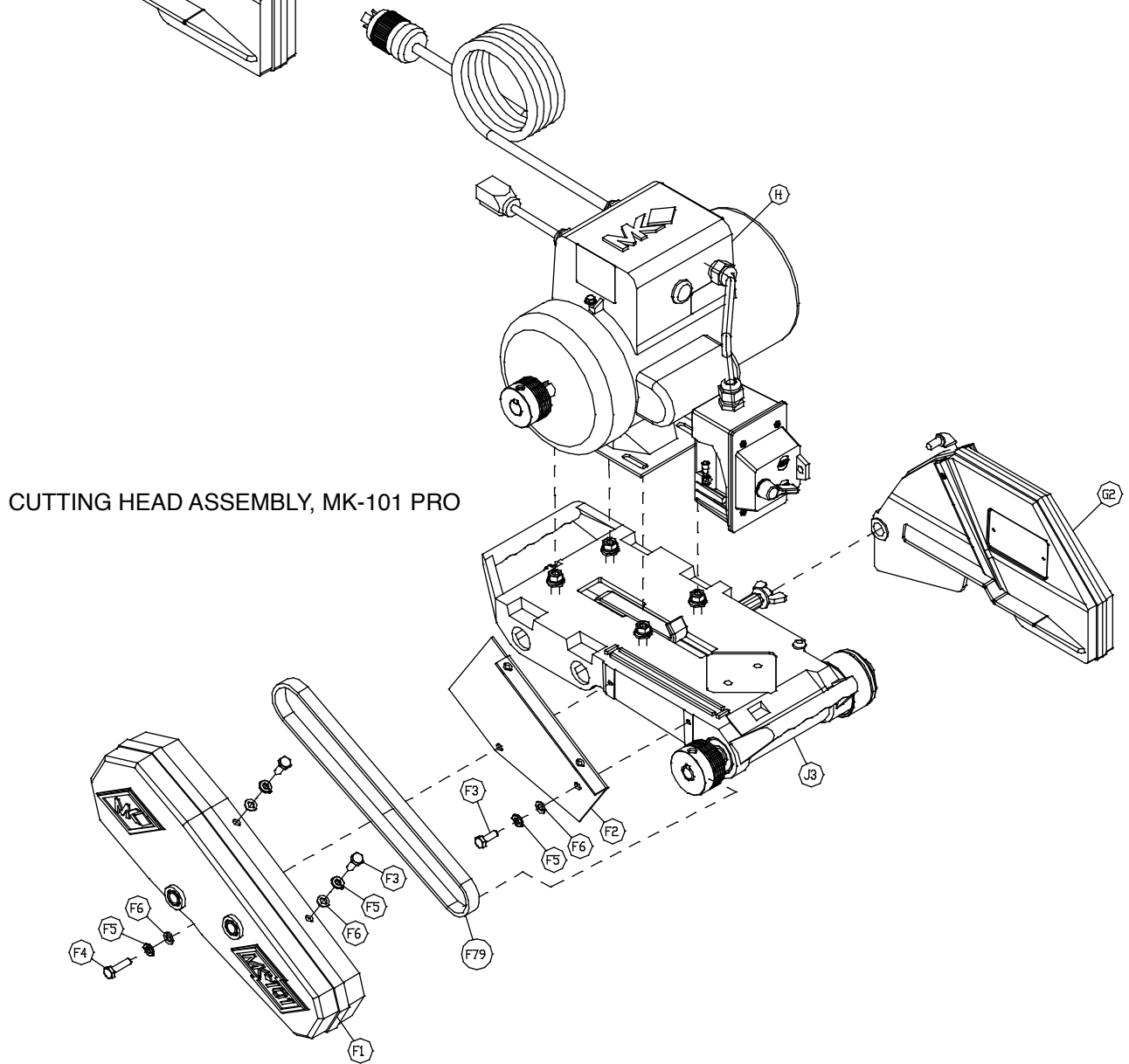
MK-101 PRO SAW



MAINTENANCE VIEW AND PARTS LIST



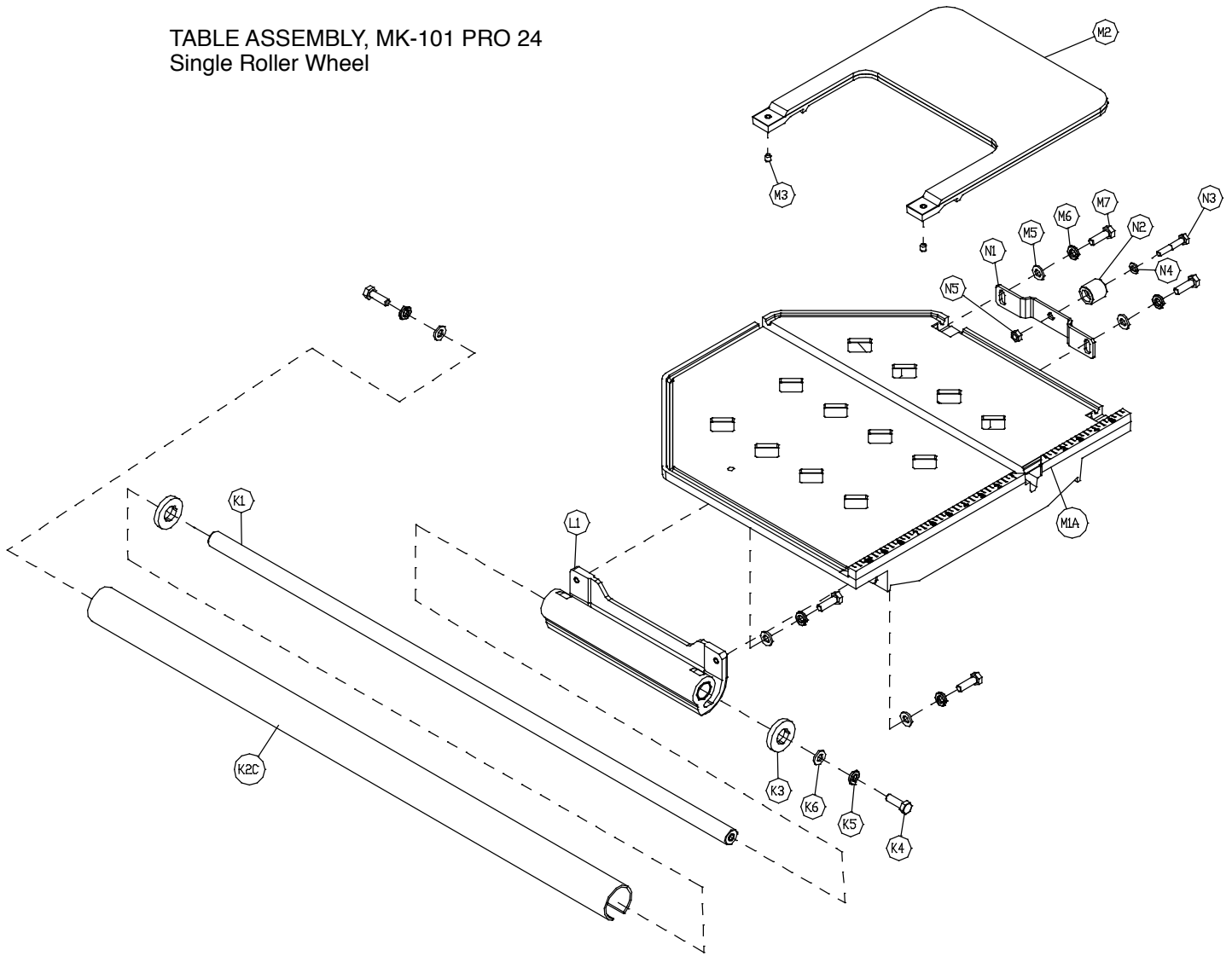
BLADE GUARD CASTING, MK-101 PRO



CUTTING HEAD ASSEMBLY, MK-101 PRO

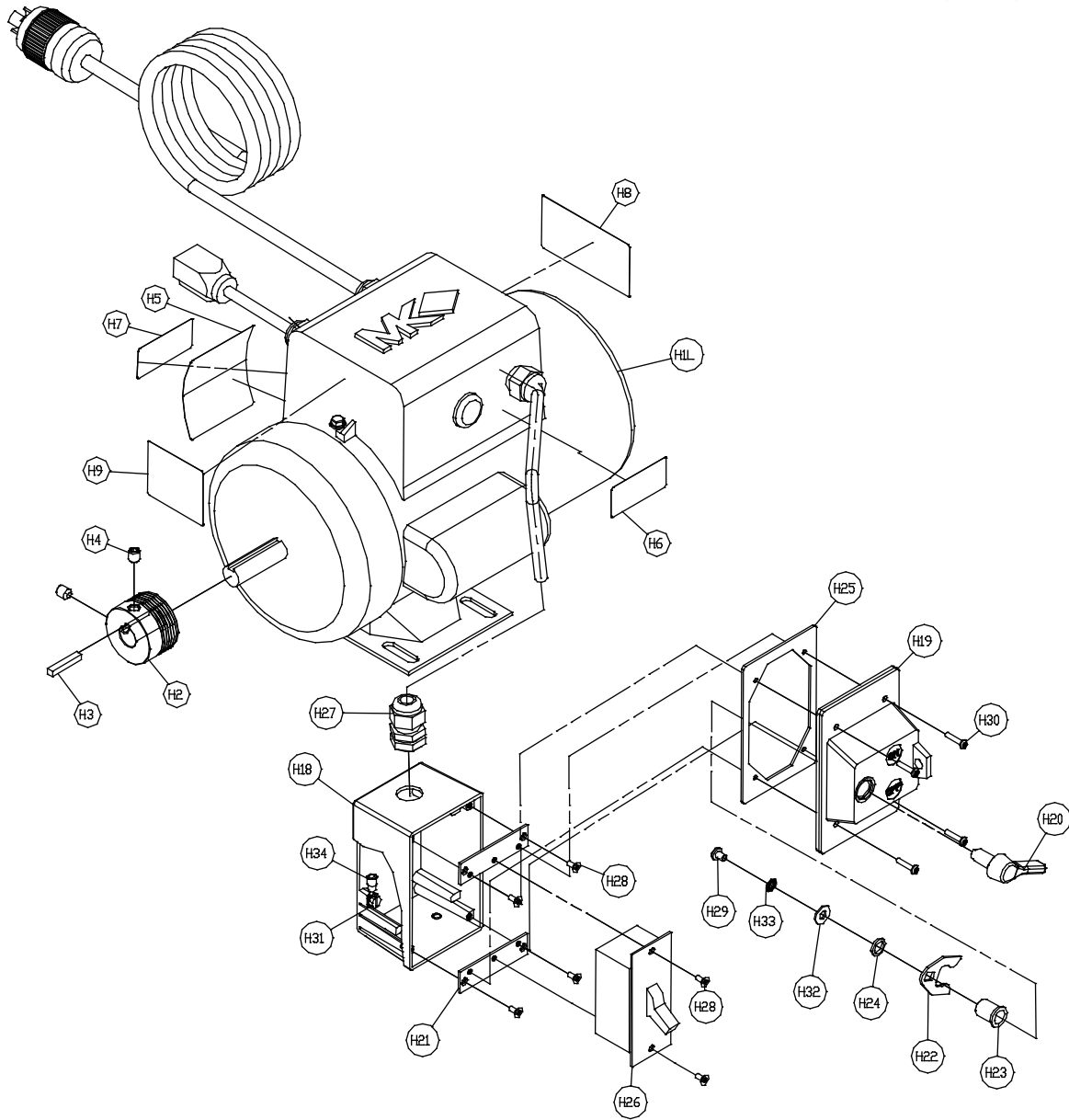
MAINTENANCE VIEW AND PARTS LIST

TABLE ASSEMBLY, MK-101 PRO 24
Single Roller Wheel



MAINTENANCE VIEW AND PARTS LIST

MOTOR ASSEMBLY / 1-1/2HP, 120V, 60 HZ



MAINTENANCE VIEW AND PARTS LIST

PARTS LIST:

Item	Description	Qty	Part#
A	Accessories	-	-
A1	Carton, Accessory Pack, 101	1	153366
A1A	Carton, Accessory Pack, PL-101	1	154176
A2	Foam, Accessory Pack Carton	1	154022
A3	Wrench, 15/16 Closed End	1	134684
A4	Guard, Splash	1	160310
A5	-	-	-
A6	Wingscrew, 1/4-20X1/2	1	151888
A7	Washer, 1/4 SAE Flat	1	151915
A8	Pump, Water, G-150A	1	151271
A8A	Pump, Water, G-300V, 230V	1	151714
A9	Fitting, Plastic, 1/4 FNPT X 1/4 BARB	1	128397
A10	Hose, Vinyl, 1/4 ID	6	132951
A11	Clamp, Flow, 1/4-1/2	1	154394
A13	Rip Guide, Large Die Cast	1	159751
A14	Miter, Large Bullnose	1	153201
A15	Guide, Dual Flat 45	1	134577
A16	Protractor, Tile Saw	1	159429
A17	Dressing Stick, 8X2X1, 60 Grit	1	152792-RW
A18	Extension, 2.25X3/4 Dia. Belt Guard	1	155711
A19	Cord, Twist-Lock GFCI, 120V/15A	1	157421
A20	Owner's Manual, MK-101	1	153754
A20A	Owner's Manual, MK-101 TrackerSaw	1	159701
A20B	Training, Pkg, 101R, HMDepot	1	158739
A20C	Owner's Manual, MK-101 Pro Series	1	158808
A21	Card, MK Warranty Registration	1	155037
A21A	Card, Rental Saw Warranty Registration	1	155666
A22	Label, Do Not Return	1	157063
A23	Sell Sheet, Tile Accessory	1	156915
A24	Stand, Folding, Universal, w/carton (156035)	1	151889
A24A	Stand, Folding, 101Pro	1	153331
A24B	Stand, with Caster	1	160197
A25	Blade, MK-100, 10X060X5/8	1	154380
A25A	Blade, MK-200/GOLD, 10X060X5/8	1	137166
A25B	Blade, MK-215, 10X060X5/8	1	128074
A25C	Blade, DT170, 10X060X5/8	1	DT154380
A25D	Blade, MK-225, 10X050X5/8, 4mm Saws	1	160593
A26	Label, Tile saw Serial#, NoMark	1	157249-01
A26A	Label, Tile saw Serial#, ULMark	1	157249-02
A26B	Label, Tile saw Serial#, CSAMark	1	157249-03
A26C	Label, Tile saw Serial#, UL/CSAMark	1	157249-04
A26D	Label, PL Serial#	1	157458
A26E	Tag, Serial Number, Blank	1	157500
A27	Plug, 10A Australia	1	156267
A28	Cord, L5-15x25' Extension	1	158111
A29	Miter, Small Bullnose	1	134585
A30	Clip, Table Lock, 30deg	1	160331-1
A31	Clip, Table Lock, 50deg	1	160331-3
A32	Drive Screw, Round Head, #7x5/16	2	157849
A33	Holder, Tool Accessory	1	160155
A33A	Holder, Tool Accessory-Orange	1	161155-HD
A34	Lid, Acc Holder Dressing Stick-Clear	1	160156

MAINTENANCE VIEW AND PARTS LIST

A35	Lid, Acc Holder Manual-Clear	1	150512
A36	Clamp, Holding, Pump	1	162073
A37	Screw, Wing, 1/4-20x1/2	2	151888
A38	Nut, Hex, 1/4 x 20	2	151893
C	Frames	-	-
C1	Frame, 101	1	153003
C1A	Frame, Pro-24	1	153209
C2	Pan, Plastic, 101	1	150634
C2A	Pan, Plastic, Pro-24	1	153262
C2B	Pan, Stainless Steel	1	150634S
C3	Pin, 3/16 X 3/8 Roll	2	151783
C4	Plate, Adjustment	2	151758
C5	Plug, Rubber Drain	1	153439
C7	Drain Plug, HD Rental	1	159529
C8	Strap, 9" Drain Plug	1	159530
D	Posts	-	-
D1	Post, 101, MKRed	1	155670
D1A	Post, 101, Blue	1	155670-BL
D1B	Post, 101, BMRed	1	155670-BM
D1C	Post, 101, Orange	1	155670-OR
D1D	Post, DC, 101, MKRed	1	158438
D1E	Post, DC, 101, Blue	1	158438-BL
D1F	Post, DC, 101, BMRed	1	158438-BM
D1G	Post, DC, 101, Orange	1	158438-OR
D1H	Post, 101 Pro	1	158405
D1J	Post, 101 Pro, Blue	1	158405-BL
D1K	Post, 101Pro, Orange	1	158405-BL
D2	Shaft, 10.63" Pivot, 101	1	153254
D2A	Shaft, 12.88" Pivot, 101 PRO	1	155530
D3	Screw, 3/8-16 X 1/2 Socket Head Set	1	153710
D4	Plate, Support	1	155671
D5	Screw, 3/8-16 X 21/2 Hex Head Cap	2	156030
D6	Washer, 3/8 Split Lock	2	150925
D7	Knob, 3/8-16 X 1.5 MK Adjustment	1	156770-02
D8	Washer, 3/8 SAE Flat	1	150923
D9	Plastic Post Cover	1	160157
E	Stop, Cutting Head	-	-
-	Kit, Stop, 10" Cutting Head	1	157728-MK
E1	Stop, 10" Cutting Head	1	157728
E2	Screw, 1/4-20 X 11/4 Hex Head Cap	1	157145
E3	Washer, 1/4 Split Lock	1	152591
E4	Sheet, Cutting Head Stop Instruction	1	157728-IS
F	Belt Guards	-	-
F1	Belt Guard, MK-101	1	158319-01
F1A	Belt Guard, PL-101, Barranca	1	158319-BD
F1B	Belt Guard, PL-101, DalTile	1	158319-BM
F1C	Belt Guard, MK-101, Orange	1	158319-OR
F1D	Belt Guard, PL-101, Blue	1	158319-BL
F1E	Belt Guard, MK-115	1	158319-15
F2	Bracket, Inner Belt Guard, 100/101	1	158611
F3	Screw, 1/4-20x3/4 Hex Head Cap	3	152370

MAINTENANCE VIEW AND PARTS LIST

F4	Screw, 1/4-20 x 1 Hex Head Cap	1	152676
F5	Washer, 1/4 Split Lock	4	152591
F6	Washer, 1/4 SAE Flat	4	151915
F7	Belt, 260J6 Micro-V	1	158194
G	Blade Guard Assemblies	-	-
G1	Blade Guard, 101/115	1	153659
G1A	Blade Guard, BD-101	1	153659-BD
G1B	Blade Guard, DT-101	1	153659-DT
G1C	Blade Guard, MK-101 Rental, Orange	1	155303
G1D	Blade Guard, PL-101 Rental, Blue	1	155303-BL
G1E	Blade Guard, 101/115 Pro	1	155770
G2	Tube, Water	2	155389
G3	Screw, 5/16-18 X 1/2 Socket Head Set	3	152607
G4	Elbow, 1/8 MNPT X 1/4 BARB 90° Brass	1	154652
H	Motors	-	-
H1	Motor, 1-1/2HP\120V\60Hz	1	160127
H1A	Motor, 1-1/2HP\120V\60Hz, with L5-15P	1	151473-TL
H1B	Motor, 1-1/2HP\120V\60Hz, NoLogo	1	155850
H1C	Motor, 1-1/2HP\230V\50Hz	1	155350
H1D	Motor, 2HP\120V\60Hz	1	155704
H1E	Motor, 2HP\230V\50Hz	1	156315
H1F	Motor, 2HP\120or240V\60Hz	1	155849
H1G	Motor, 1-1/2HP\120or240V\50Hz	1	155442
H1H	Motor, 2HP\120V\60Hz, NoLogo	1	155704-PL
H1J	Motor, 1-1/2HP\120V\60Hz, for 30A switchbox	1	159627
H1K	Motor, 1-1/2HP\120V\60Hz, for 30A switchbox, with L5-15P	1	159627-TL
H1L	Motor, 2HP\120V\60Hz, for 30A switchbox	1	160484
H2	Pulley, 6J17 X 5/8 Bore	1	158214
H3	Key, 3/16 x 3/16 x 1-1/8 Square	1	150344
H4	Screw, 5/16-18 X 3/8 Socket Head Set, Cup Point	2	157083
H5	Label, Warning most motor..., 2 3/4 X 2 7/16	1	155672
H6	Label, Caution, GFCI, 1 X 2 1/8	1	155678
H7	Label, Caution, 5Amp Max., 1 X 2-1/8	1	154822
H8	Label, Warning, Read Owner's Manual, 1-3/4 X 3-3/8	1	155806
H9	Label, MK Service Info., 2 1/8 X 1-13/16	1	155038
H10	Label, MK Checklist	1	157459
H10A	Label, HD Checklist	1	155231
H10B	Label, EH Checklist	1	155301
H10C	Label, LW Checklist	1	157460
H11	Screw, 1/4-20 X 1 Hex Head Cap	2	152676
H18	Box, Top Entry, 30A Switch	1	159487
H19	Cover, 30A Switch Box	1	159539
H20	Lever, Actuator, 30A Switch Box	1	159540
H21	Plate, Mounting, 30A Switch	2	159489
H22	Lever, On/Off, 30A Switch Box	1	159490
H23	Bushing, Nylon, 30A Switch Box	1	158799
H24	Seal, Urethane, 30A Switch Box	1	159492
H25	Gasket, 30A Switch Box	1	159491
H26	Switch, 30A/2HP/120V/DPST	1	159488
H27	Connector, LTF11 Cord	1	159582
H28	Screw, 6-32X5/16 Flat Head Phillips Machine	6	159493
H29	Screw, 10-24X1/4 Pan Head Phillips Machine	1	159494
H30	Screw, 6-32X5/8 Pan Head Phillips Machine	4	157393

MAINTENANCE VIEW AND PARTS LIST

H31	Screw, 10-24 X 5/16 Slotted Hex Washer Head Grounding	1	159597
H32	Washer, #10 SAE Flat	1	154369
H33	Washer, #10Lock, Internal Teeth	2	158336
H34	Terminal, 16-14 X #10Ring, Non-insulated	1	154540
H35	Receptacle, Pump	1	159828
H36	Cord, Power	1	159829
H37	Wire, MK-100/101 Jumper	2	160519
H38	Label, Home Depot Tool Rental	1	160602
J	Cutting Head Sub assemblies	-	-
J1	Cutting Head, DC, 100/101, MKRed	1	158224
J1A	Cutting Head, DC, 101, Blue	1	158224-BL
J1B	Cutting Head, DC, 101, BMRed	1	158224-BM
J1C	Cutting Head, DC, 101, Orange	1	158224-OR
J2	Pin, Blade Shaft Lock	1	158200
J3	Spring, Blade Guard Lock	1	158201
J4	E-Ring, 1/4 Retaining	1	158202
J5	Bearing, 17mm X 40mm X 12mm Ball (6203-2NSE)	2	137711
J6	Shaft, Blade 100/101	1	158222
J7	Flange, 2-3/8 Inner	1	137737
J8	Flange, 2-3/8 Outer	1	135830
J9	Nut, 5/8-18 Hex	1	135848
J10	Pulley, 6J19 X 5/8 Bore	1	158199
J11	Key, 3/16 x 3/16 x 11/8 Square	1	150344
J12	Screw, 5/16-18 X 3/8 Socket Head Set, Cup Point	2	157083
J13	Bumper, 1/2 DiaRubber	1	152674
J14	Screw, 5/16-18 X 1 Hex Head Cap	4	151743
J15	Washer, 5/16 SAE Flat	4	151754
J16	Washer, 5/16 Split Lock	4	151747
J17	Nut, 5/16-18 Hex	4	101196
J18	Screw, 5/16-18 x 3 Hex Head Tap	1	162473
J18A	Bolt, 5/16-18 x 2 1/2 Carriage	1	152675
J19	Pivot, Blade Guard	1	153208
J20	Washer, 3/8 SAE Flat	2	150923
J21	Wingnut, 5/16-18 Nylock	1	151746
J22	Strap, Motor Adjustment	1	152673
J23	Screw, 3/8-16 X 3 1/2 Hex Head Full Thread	1	153147
K	Guide Bars	-	-
K1	Bar, 3/4 X 32 Guide, 101	1	134759
K1A	Bar, 3/4 X 37 Guide, 101Pro	1	153492
K2	Cover, Guide Bar, 120 X 35"	1	158403
K2A	Cover, Guide Bar, 101 Pro 24	1	153219
K2B	Cover, Guide Bar, 120° X 37"	1	160143
K2C	Cover, Guide Bar, 101	1	151771
K3	Spacer, Guide Bar Cover, 101	2	152393
K4	Screw, 5/16-18 X 1 Hex Head Cap	2	151743
K5	Washer, 5/16 Split Lock	2	151747
K6	Washer, 5/16 SAE Flat	2	151754
L	Linear Bearings	-	-
L1	Linear Bearing, 101	1	135855
L2	Screw, 5/16-18 X1 Hex Head Cap	2	151743
L3	Washer, 5/16 Split Lock	2	151747

MAINTENANCE VIEW AND PARTS LIST

L4	Washer, 5/16 SAE Flat	2	151754
M	Tables	-	-
M1	Table, 100/101	1	157660
M1A	Table, 1-Slot, 101 Pro 24	1	160174
M2	Table Extension, 101 Pro	1	162075
M3	Screw, 1/4-20 X 1/2 Socket Head Set	2	155804
M4	Shim, .004 X 5/16 ID X 1/2 OD	4	152519
M5	Washer, 5/16 SAE Flat	2	151754
M6	Washer, 5/16 Split Lock	2	151747
M7	Screw, 5/16-18 X 1 Hex Head Cap	2	151743
M8	Table Extension, Front	1	158215
M9	Screw, 1/4-20 X 5/16 Socket Head Set	2	154226
MA	Table, Tracker Wheel	-	-
-	Assembly, Tracker Wheel Table	1	159554
MA1	Table, 101 Tracker Wheel	1	158962
MA2	Wheel, Conveyor Cart	2	133090
MA3	Nut, Hex w/ WSHR 5/16-18	2	153942
MA4	Frame, 101 Tracker Wheel	1	158937
MA5	Stop, MK101 Tracker Wheel Table	1	159652
MA6	Screw, 10/24 x 1/4 Socket Set-Cup PT	2	157522
MA7	Screw, 5/16-18 x 3/4 Hex Head Cap	2	151369
MA8	Washer, 5/16 Split Lock	2	151747
MA9	Washer, 5/16 SAE Flat	2	151754
N	Roller Wheel	-	-
-	Assembly, Roller Wheel	1	151756
N1	Bracket, Roller Wheel	1	154021
N2	Wheel, Roller	1	151799
N3	Screw, 1/4-20 X 1 1/2 Hex Head Cap	1	151914
N4	Washer, 1/4 SAE Flat	1	151915
N5	Nut, 1/4-20 Hex	1	151893
NA	Dual Roller Wheel	-	-
-	Assembly, Dual Roller Wheel	1	159549
NA1	Bracket, Dual Roller Wheel	1	159548
NA2	Wheel, Roller	2	151799
NA3	Screw, 1/4-20 X 1 1/2 Hex Head Cap	2	151914
NA4	Washer, 1/4 SAE Flat	2	151915
NA5	Nut, 1/4-20 Hex	2	151893
NA6	Shim,. 004 X 5/16 ID X 1/2 OD	~4	152519



MK Diamond Products, Inc.

MK Diamond Products, Inc.
1315 Storm Parkway
Torrance, CA 90501

Toll-Free: (800) 845-3729
Phone: (310) 539-2221
Fax: (310) 539-5158
www.mkdiamond.com