

# MK-101 TRIM SAW WITH ROCK VISE PARTS LIST

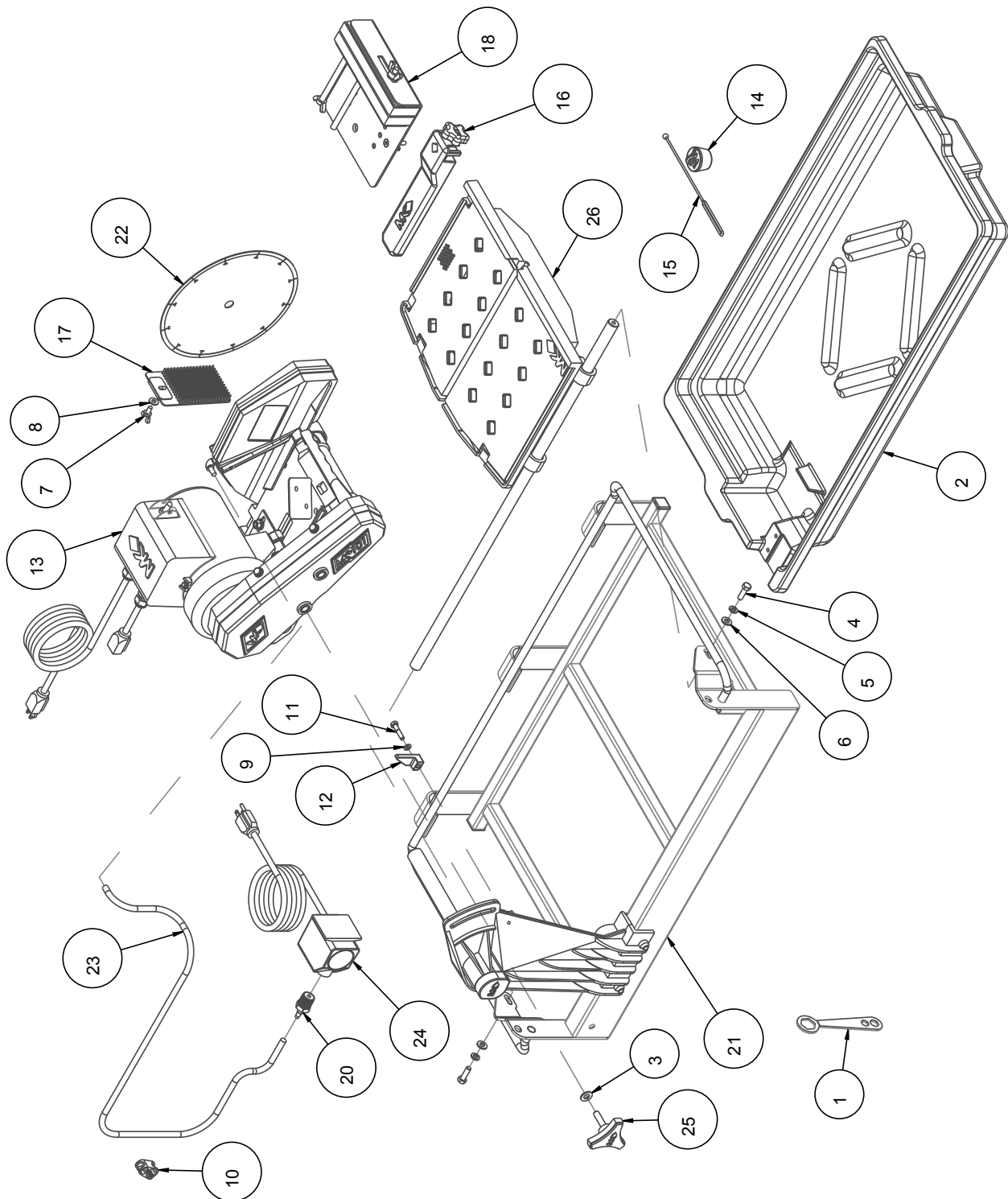


Part # 164564

Revision 105	12.2021
Manual Part# 158192-BD	

**Caution:** Read all safety and operating instructions before using this equipment. This owner's manual **MUST** accompany the equipment at all times.

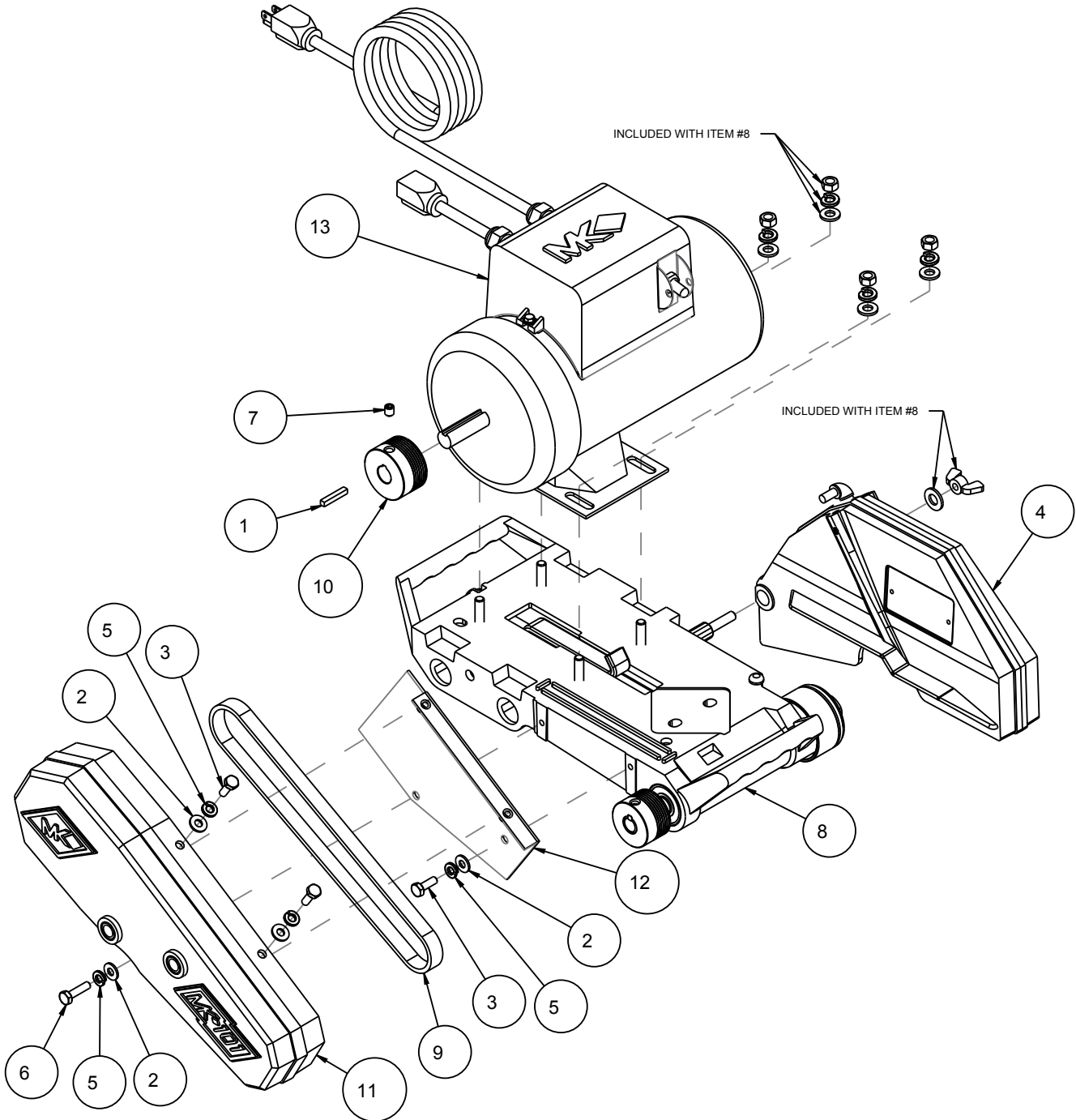
MK-101 TRIM SAW P/N 164564



## MK-101 TRIM SAW P/N 164564

Item	Description	Part #	Qty
1	WRENCH, TILE SAW NUT 15/16	134684	1
2	PAN, PLASTIC MK-101	150634	1
3	WASHER, FLAT, SAE, 3/8	150923	1
4	SCREW, HEX HD, 5/16 - 18 X 1	151743	2
5	WASHER, LOCK, SPLIT, 5/16	151747	2
6	WASHER, FLAT, SAE, 5/16	151754	2
7	SCREW, WING, 1/4-20 X 1/2	151888	1
8	WASHER, FLAT, SAE, 1/4	151915	1
9	WASHER, LOCK, SPLIT 1/4	152591	1
10	CLAMP, HOSE, 1/4 - 1/2 FLOW	154394	1
11	SCREW, HEX HD 1/4 - 20 X 1-1/4	157145	1
12	STOP, CUTTING HEAD	157728	1
13	ASSY, DC CUTTING HEAD, MK-101	158478	1
14	DRAIN PLUG, W/RING	159529	1
15	STRAP, 9" DRAIN PLUG	159530	1
16	RIP GUIDE, LARGE DIE CAST	159751	1
17	GUARD, SPLASH	160310	1
18	BD-2014, ROCK VISE	162523	1
19	ASSY, WARNING LABELS, TILE SAW	166012	1
20	ADAPTER, 1/2 NPT X 1/4 BARB	168261	1
21	ASSY, FRAME & POST, 101	170476	1
22	BD-305 10X050X5/8 AGATE KUTTER	305100	1
23	HOSE, VINYL, 1/4 X 3/8 (6.0')	132951	1
24	PUMP, WATER 115V/60HZ UL/CSA	151271-VP	1
25	KNOB, TRI PLASTIC MK-660 1-1/2	156770-02	1
26	ASSY, DC TABLE, NO COVER, 101	158477-NC	1

ASSY CUTTING HEAD P/N 158478



**ASSY CUTTING HEAD P/N 158478**

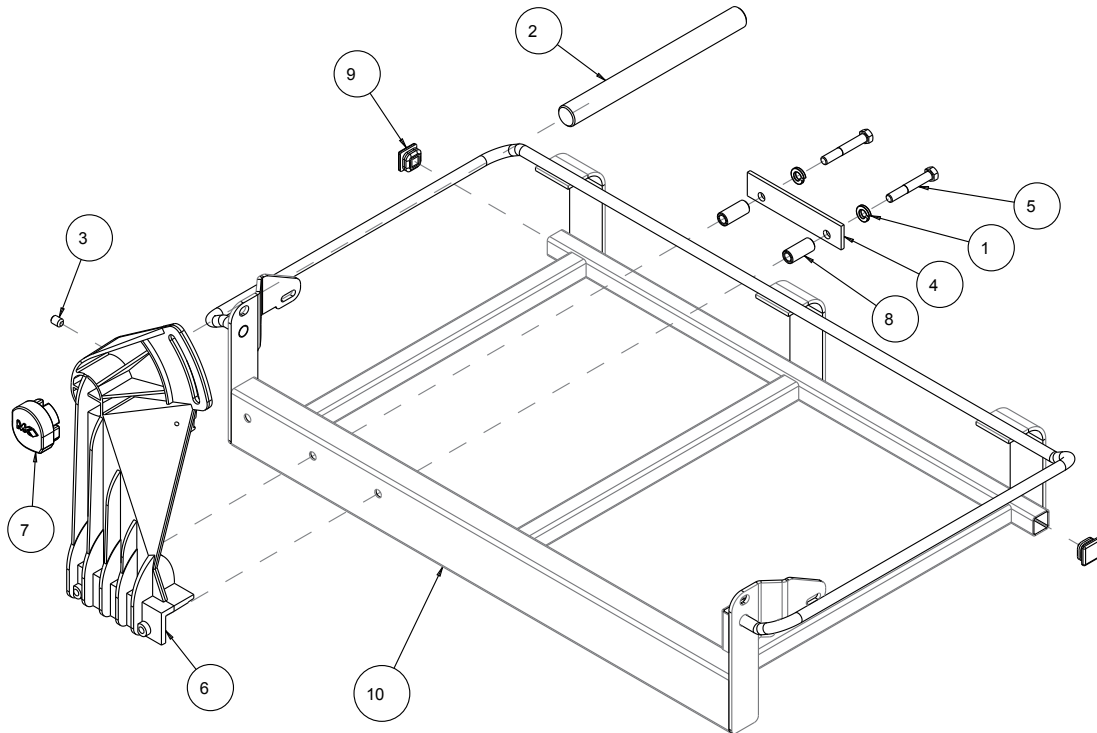
Item	Description	Part #	Qty
1	KEY, 3/16 SQ X 1-1/8	150344	1
2	WASHER, 1/4 SAE FLAT	151915	4
3	SCREW, HEX HD, 1/4 -20 X 3/4	152370	3
4	ASSY, BLADE GUARD, 101	152582	1
5	WASHER, 1/4 SPLIT LOCK	152591	4
6	SCREW, HEX HD TAP, 1/4 - 20 X 1	152676	1
7	SCREW, 5/16 -18 X 3/8 SOCKET HEAD SET	157083	1
8	ASSY, SBU, CUTTING HEAD MK-101	158191	1
9	BELT, 6J260	158194	1
10	PULLEY, 6J19 X 5/8 BORE	158199	1
11	CASTING, 101 BELT GUARD-COMP	158319-01	1
12	BRACKET, INNER BELTGUARD	158611	1
13	MTR, 1-1/2 HP, 115V, 60HZ-VP	168022G	1



## ASSY SUB HEAD P/N 158191

ITEM #	DESCRIPTION	PART #	QTY.
1	NUT, HEX, 5/16 - 18	101196	5
2	FLANGE, OUTER, 2 - 3/8	135830	1
3	NUT, HEX, 5/8-18	135848	1
4	BEARING, BALL, 17X40X12MM	137711	2
5	KEY, 3/16 SQ X 1-1/8	150344	1
6	WASHER, FLAT, SAE, 3/8	150923	1
7	SCREW, HEX HD, 5/16-18X1	151743	4
8	NUT, WING, NYLK, 5/16-18	151746	1
9	WASHER, LOCK, SPLIT, 5/16	151747	4
10	WASHER, FLAT, SAE, 5/16	151754	5
11	STRAP, 1 INCH, MOTOR ADJ.	152673	1
12	BUMPER, RUBBER, 1/2 DIA	152674	1
13	BOLT, 3/8-16 X 3-1/2 HEX HEAD TAP	153147	1
14	SCREW, 5/16-18 X 3/8 SOCKET HEAD SET	157083	1
15	PULLEY, 6J19 X 5/8 BORE	158199	1
16	BUTTON, SHAFT LOCK	158200	1
17	SPRING, BLADE SHAFT LOCK	158201	1
18	RING, 1/4 E-STYLE RETAINING	158202	1
19	SHAFT, BLADE	158222	1
20	CASTING, 10" CTTG HEAD - COMP	158224	1
21	SCREW, HEX HD, TAP, 5/16-18X3	162473	1
22	FLANGE, Ø 2-3/8 INNER	162758	1
23	SPACER, 9/16X5/16X1.5, PLAS	170824	1

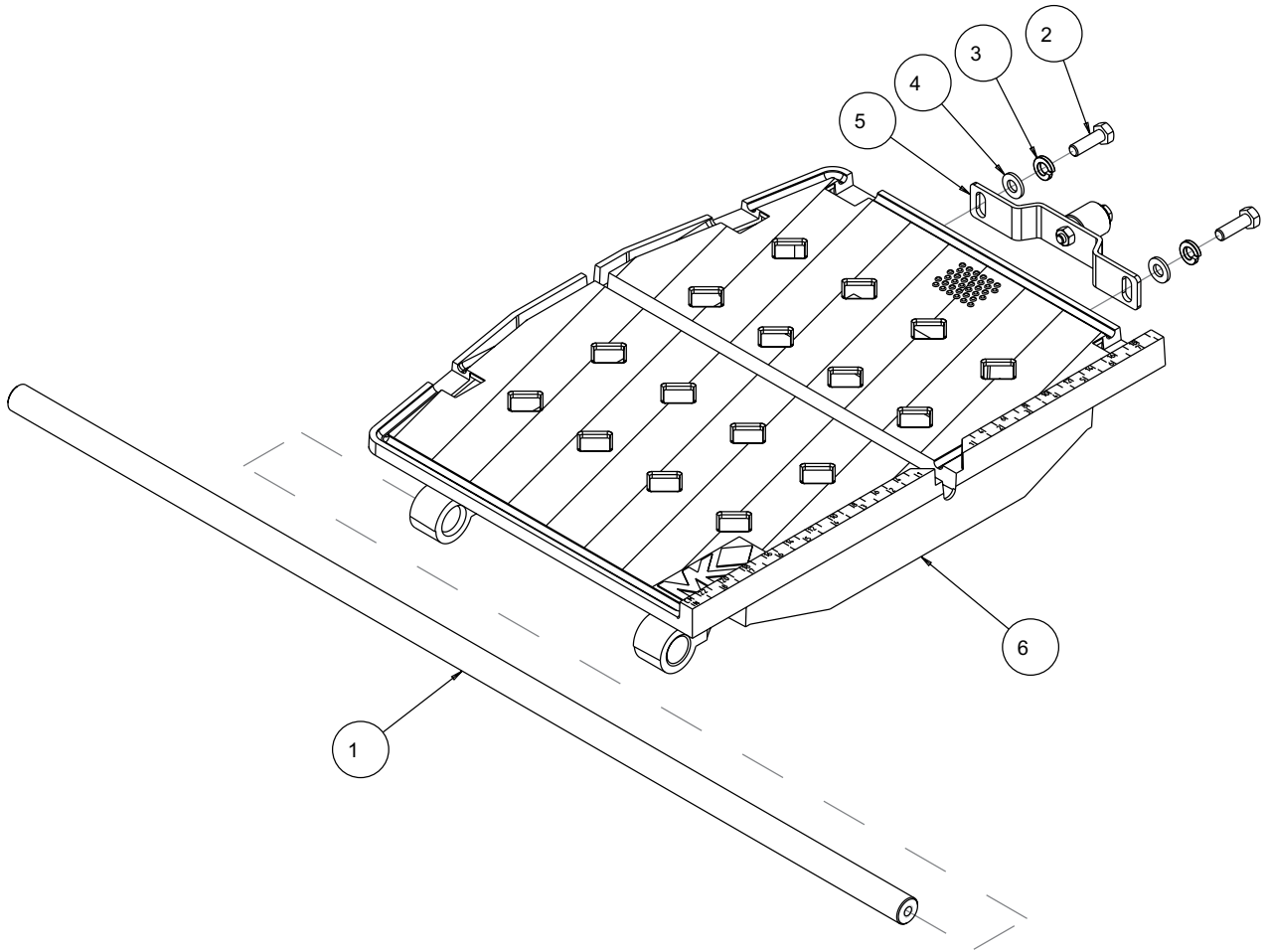
## ASSY FRAME P/N 170476



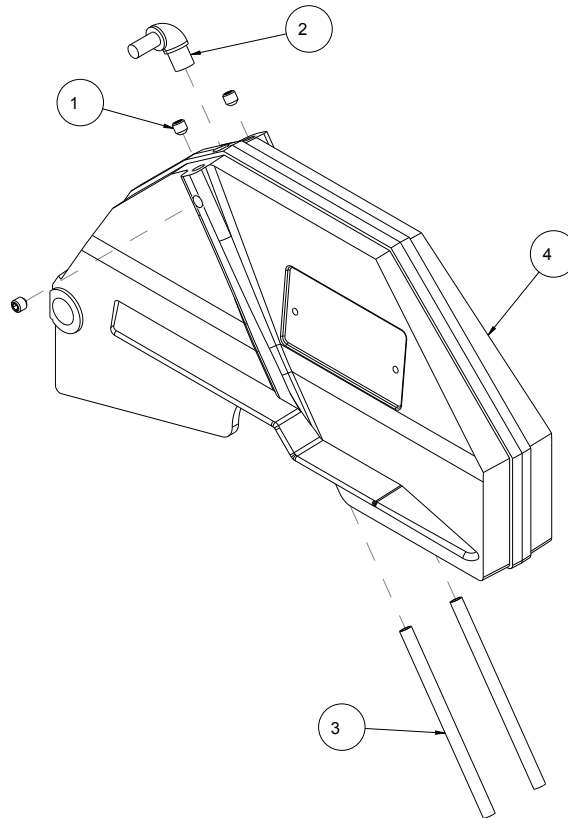
Item	Description	Part #	Qty
1	WASHER, LOCK, SPLIT, 3/8	150925	2
2	SHAFT, 10.63 PIVOT	153254	1
3	SCREW, SET, SOC, CUPT, 3.8 - 16 X 1/2	153710	1
4	PLATE, PRESSURE	155671	1
5	SCREW, 3/8 16 X 2 -1/2 HEX HEAD CAP	156030	2
6	CASTING, POST, DC, 101 MKRED-COMP	158438	1
7	POST COVER, PLASTIC	160157	1
8	SPACER, 5.8 X .385 X 1.4	160654	2
9	PLUG, PLASTIC, 1 SQ- 14 - 20 GA	160727-1	2
10	FRAME, 10" TILE SAW, 18" RIP	168021	1



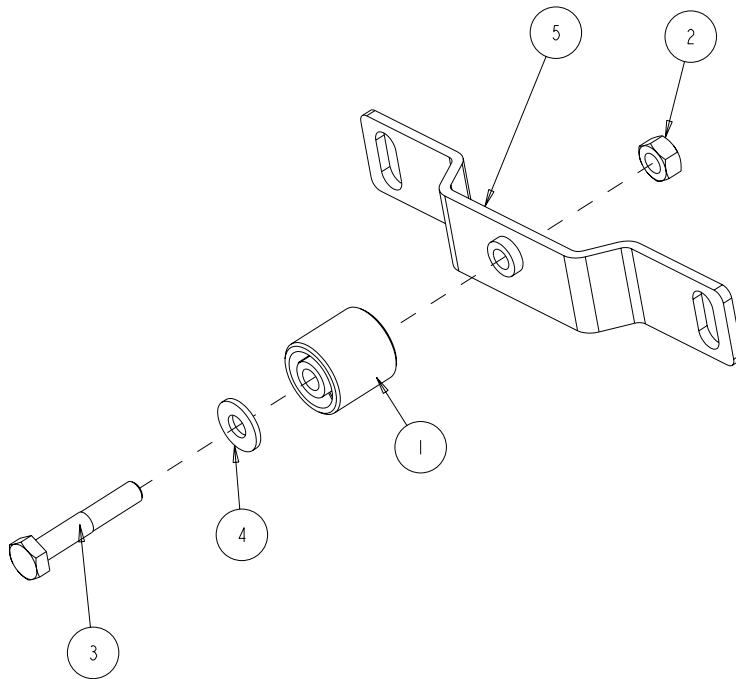
ASSY TABLE P/N 158477-NC



Item	Description	Part #	Qty
1	BAR, GUIDE PLATED MK-101	134759	1
2	SCREW, HEX HD, 5/16 - 18 X 1	151743	2
3	WASHER, LOCK, SPLIT, 5/16	151747	2
4	WASHER, FLAT, SAE, 5/16	151754	2
5	ASSY, WHEEL BRKT TSAW	151756	1
6	CASTING, TABLE MK-100 COMP	157660	1

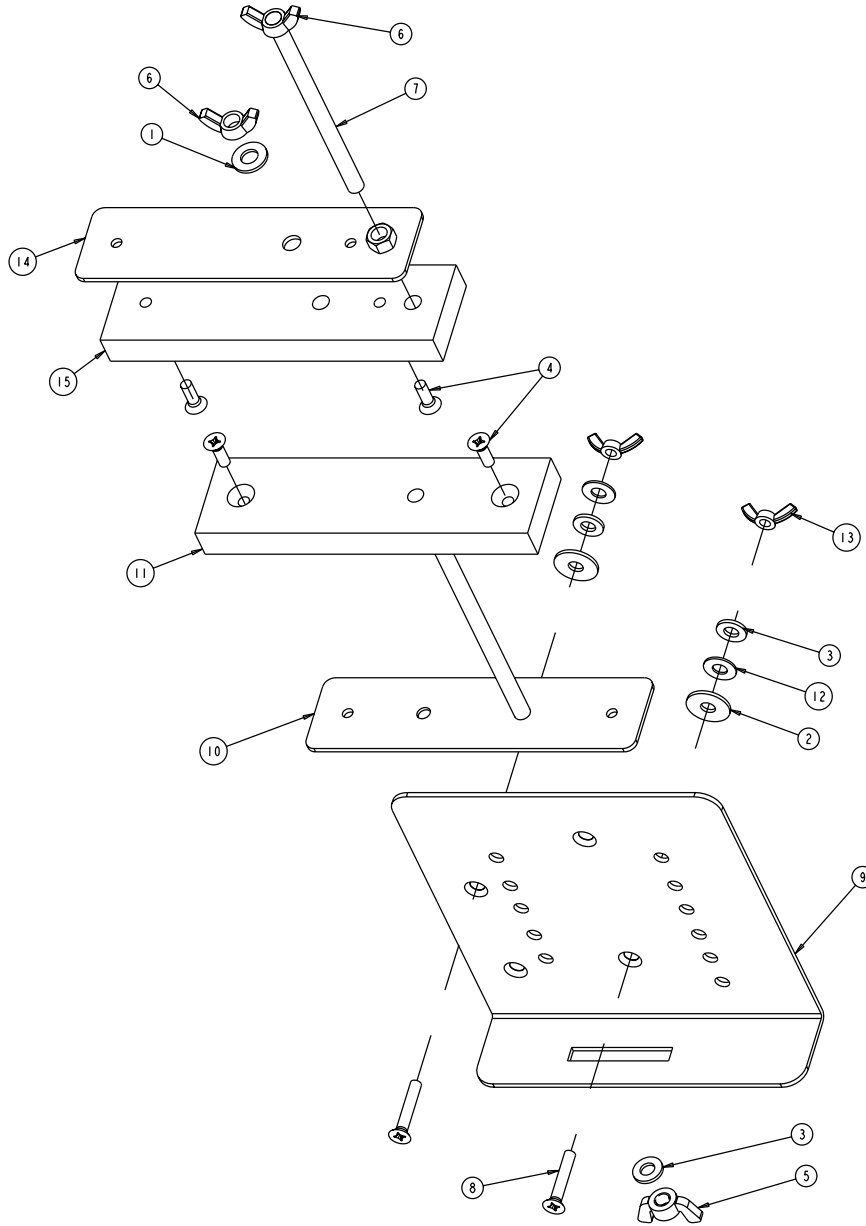
**ASSY BLADE GUARD P/N 152582**

Item	Description	Part #	Qty
1	SCREW, 5/16 - 18 X 1/2 SOCKET HD SET	152607	3
2	ELBOW, 1/8MNPT X 1/4 BARB, 90 DEG	154652	1
3	TUBE, WATER	155389	2
4	CASTING, 101 BLD GUARD-DC-COMP	162481	1

**ASSY ROLLER WHEEL P/N 151756**


Item	Description	Part #	Qty
1	WHEEL, ROLLER	151799	1
2	NUT, HEX, 1/4 - 20	151893	1
3	SCREW, HEX HEAD 1/4 -20 X 1-1/2"	151914	1
4	WASHER, 1/4 SAE FLAT	151915	1
5	BRACKET, ROLLER WHEEL	154021	1

ASSY ROCK VISE P/N 162523



## ASSY ROCK VISE P/N 162523

Item	Description	Part #	Qty
1	WASHER, 3/8 SAE FLAT	150923	1
2	5/16 FENDER WASHER	151053	2
3	WASHER, 5/16 SAE FLAT	151754	3
4	SCREW, 1/4-20 X 3/4 FLAT HEAD PHILLIPS MACHINE	154657	4
5	NUT, WING 5/16 18	161037	1
6	NUT, WING 3/8 -16	161715	2
7	ROD, THREADED 3/8-16 X 6" LG.	161829	1
8	SCREW, 1/4-20 X 3/4 FLAT HEAD PHILLIPS MACHINE	165120	2
9	BRACKET, MOUNT	165786	1
10	PLATE, WELDMENT VISE MOUNT	165787	1
11	PLYWOOD, VISE MOUNT	165788	1
12	WASHER, FLAT 5/16 ID X 3/4 OD	165789	2
13	NUT, WING 1/4 -20	165790	2
14	WELDMENT PLATE, VISE MOUNT	165792	1
15	PLYWOOD, VISE MOUNT	165793	1

**MK-101 TRIM SAW**  
**OWNER'S MANUAL & OPERATING INSTRUCTION**



**MK Diamond Products, Inc.**

MK Diamond Products, Inc.  
1315 Storm Parkway  
Torrance, CA 90501

Toll-Free: (800) 421-5830  
Phone: (310) 539-5221  
Fax: (310) 539-5158  
[www.mkdiamond.com](http://www.mkdiamond.com)