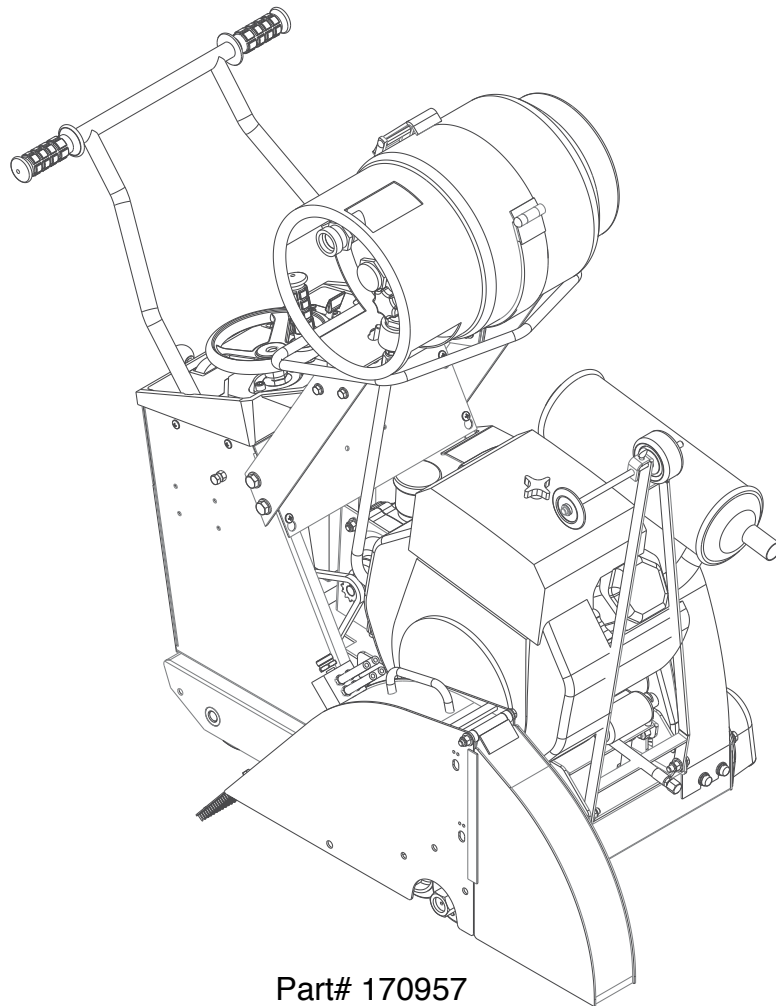


MK-2425KSP CONCRETE SAWS

PARTS LIST

Propane Powered Concrete Saw



Part# 170957

Revision 103	08.2019
Manual Part# 170957-PM	

Caution: Read all safety and operating instructions before using this equipment. This parts list **MUST** accompany the equipment at all times.

We at MK Diamond want to congratulate you on selecting the MK-2425KSP. We are certain that you will be pleased with your purchase. MK Diamond takes pride in producing the finest products in the industry.

Operated correctly, your MK-2425KSP should provide you with years of quality service. In order to help you, we have included this manual. This owners manual contains information necessary to operate and maintain your MK-2425KSP safely and correctly. Please take a few minutes to familiarize yourself with the MK-2425KSP by reading and reviewing this manual.

If you should have questions concerning your MK-2425KSP, please feel free to call our friendly customer service department at: 800 421-5830

Regards,

MK Diamond

NOTE THIS INFORMATION FOR FUTURE USE:

MODEL NUMBER:	
SERIAL NUMBER:	
PURCHASE PLACE:	
PURCHASE DATE:	

NOTE: For your (1) one year warranty to be effective, complete the warranty card (including the Serial Number) and mail it in as soon as possible.

INTRODUCTION	2
PARTS LIST	
FIGURE 1-3 - MK-2425KSP PARENT A-C - P/N 170957	4-9
FIGURE 4 - BRACKET - P/N 158878	10-11
FIGURE 5-7 - MK-2425KSP FRAME, LESS ENGINE - P/N 170870-K	12-17
FIGURE 8 - TRUCK - P/N 170867	18-19
FIGURE 9 - TRANSMISSION - P/N 169711	20-21
FIGURE 10 - BLADE SHAFT - P/N 170864	22
FIGURE 11 - POINTER - P/N 166465	23
FIGURE 12 - ENGINE, KOHLER PROPANE CH730LPG - P/N 170965	24-25
FIGURE 13 - BLADE GUARD - P/N 170830-24	26
FIGURE 14 - WATER MANIFOLD - P/N 167625	27
FIGURE 15 - WATER PUMP, KIT - P/N 172896 (OPTIONAL)	28-29

FIGURE 1 - MK-2425KSP CONCRETE SAW - P/N 170957

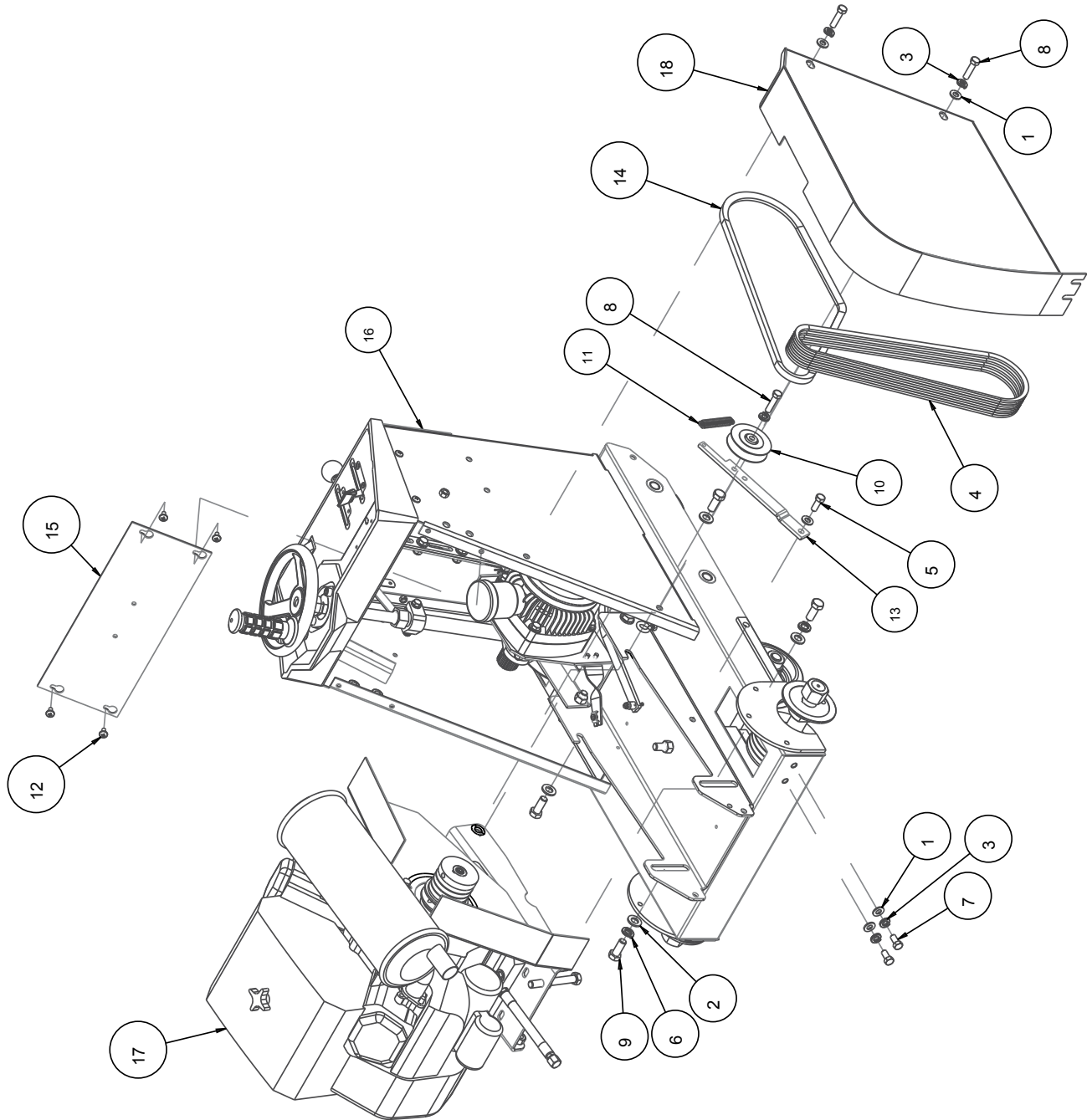


FIGURE 1 - MK-2425KSP CONCRETE SAW - P/N 170957

ITEM NO.	DESCRIPTION	PART #	QTY.
1	WASHER, FLAT, SAE 3/8	150923	5
2	WASHER, 1/2 SAE FLAT	150924	4
3	WASHER, LOCK, SPLIT, 3/8	150925	5
4	BELT, 3VX400	152478	4
5	SCREW, HEX HD CAP, 3/8-16 X 1	152507	1
6	WASHER, 1/2 SPLIT LOCK	153524	2
7	SCREW, HEX, 3/8-16 X 3/4	153527	2
8	SCREW, 3/8-16 x 1-1/2 HEX HEAD	153528	3
9	SCREW, 1/2-13X1-1/4 HEX HEAD CAP	153532	4
10	PULLEY, 1A30 X 1/2 BORE IDLER	153797	1
11	SPRING, 9/16 X 2.5 EXTENSION	153807	1
12	SCREW, 1/4-20 X 1/2 TRUSS HEAD	153880	4
13	BRACKET, IDLER PULLEY	154244	1
14	BELT, AX-43	156110	1
15	PANEL, 20HP FRONT TOWER	156503	1
16	ASSY, FRAME, LESS ENG, 24SER	170870-K	1
17	ASSY, ENGINE, CH730LPG, 24SER	170965	1
18	GUARD, BELT, OUTER, 24KSP	171153	1

FIGURE 2 - MK-2425KSP CONCRETE SAW - P/N 170957

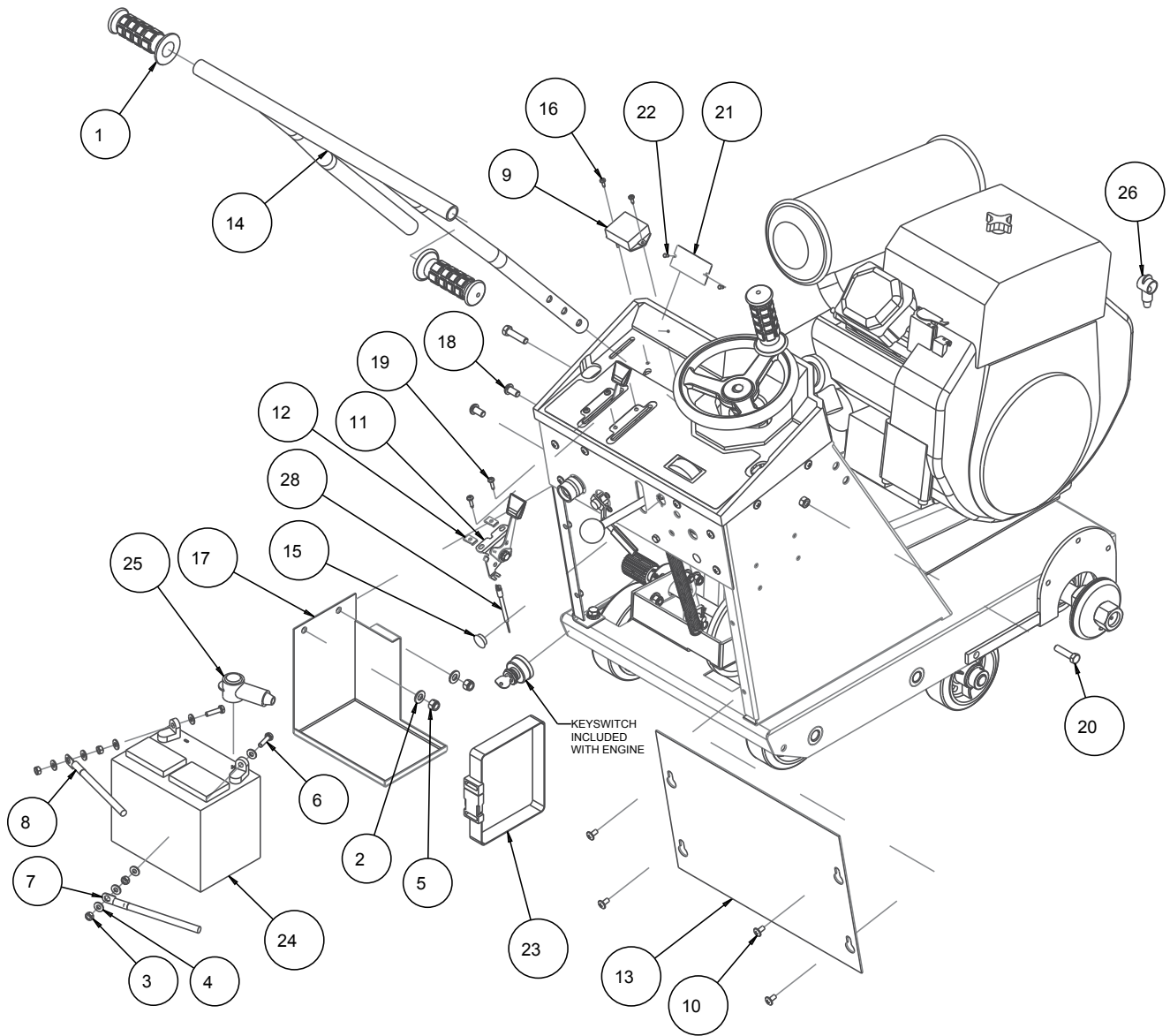


FIGURE 2 - MK-2425KSP CONCRETE SAW - P/N 170957

ITEM NO.	DESCRIPTION	PART #	QTY.
1	GRIP, HANDLE, 1.0 ID	150842	2
2	WASHER, FLAT, SAE, 3/8	150923	2
3	NUT, HEX, 1/4-20	151893	4
4	WASHER, FLAT, SAE, 1/4	151915	8
5	NUT, HEX, NYLK, 3/8-16	152505	2
6	SCREW, HEX HD, TAP, 1/4-20X1	152676	2
7	CABLE, 4GA X 48 RED BATTERY	153848	1
8	CABLE, 4GA X 24 BLACK BATTERY	153849	1
9	TACHOMETER/HOURMETER	153877	1
10	SCREW, 1/4-20 X 1/2 TRUSS HEAD	153880	4
11	ASSY, THROTTLE CONTROL	155406	1
12	NUT, 10-24 CLIP	155407	2
13	PANEL, TOWER LOWER	156505	1
14	HANDLEBAR WELDMENT	156516	1
15	SCREW, PAN HD SELF TAP 8-32 X 1/2	156632	2
16	BOX, BATTERY	156634	1
17	SCREW, BTN HD 3/8-16X 3/4 SCOK	156635	2
18	SCREW, PAN HD PHIL MS 10-24X3/4	156641	2
19	SCREW, HEX HEAD 3/8-16 X 1-1/2 LG.	156656	2
20	TAG, SERIAL NUMBER, BLANK	157500-RW	1
21	STRAP, NYLON, 1"	158094	1
22	BATTERY, 12V, 35AH	162589	1
23	COVER, 1" BATTERY TERMINAL, RED	163940	1
24	COVER, 8-4 AWG TERMINAL, RED	169355	1
25	WIRE HARNESS, EXTENSION, 39"	170736	1
26	CABLE, THROTTLE, 22HP SUBARU (COMP)	170738	1

FIGURE 3 - MK-2425KSP CONCRETE SAW - P/N 170957

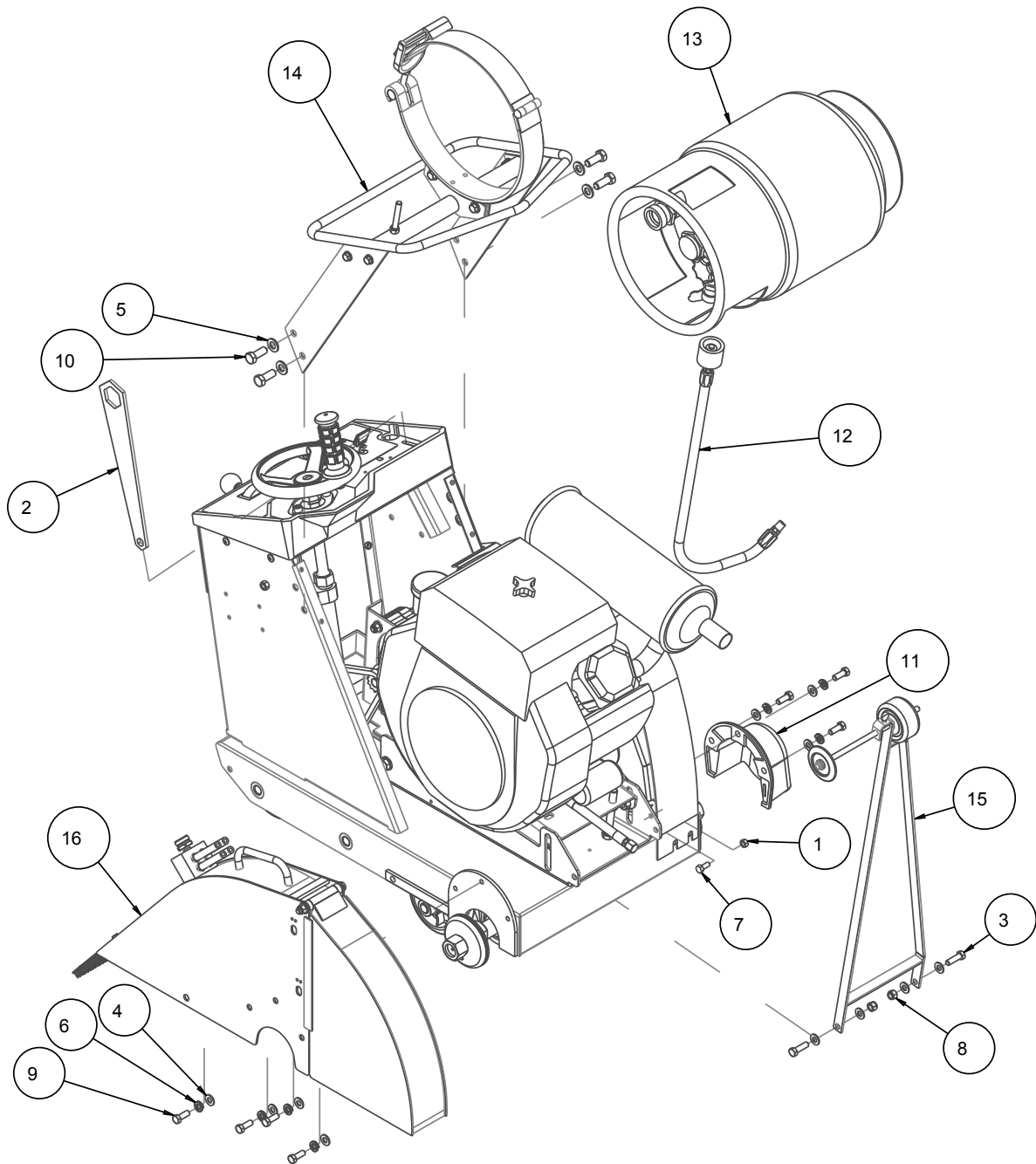


FIGURE 3 - MK-2425KSP CONCRETE SAW - P/N 170957

ITEM NO.	DESCRIPTION	PART #	QTY.
1	NUT, HEX, 5/16-18	101196	1
2	WRENCH, BOX END, 1-1/2X9/16	137976	1
3	SCREW 3/8-16 X 1-1/4 HEX HEAD CAP	150774	2
4	WASHER, FLAT, SAE, 3/8	150923	11
5	WASHER, 1/2 SAE FLAT	150924	4
6	WASHER, LOCK, SPLIT, 3/8	150925	7
7	SCREW, HEX HD, CAP, 5/16-18 X 3/4	151369	1
8	NUT, HEX, NYLK, 3/8-16	152505	2
9	SCREW, HEX HD CAP, 3/8-16X1	152507	7
10	SCREW, 1/2-13 X 1-1/4 HEX HEAD CAP	153532	4
11	GUARD, SHAFT (COMP)	156307	1
12	HOSE, 1-5/16 X 1/4 X 3' LPG	158872	1
13	TANK, #20 LPG	158873	1
14	BRACKET, LPG TANK	155878	1
15	ASSY, POINTER, CONC SAW	166465	1
16	ASSY, BLD GRD, BOLT-ON, 24"	170830-24	1

FIGURE 4 - BRACKET - P/N 158878

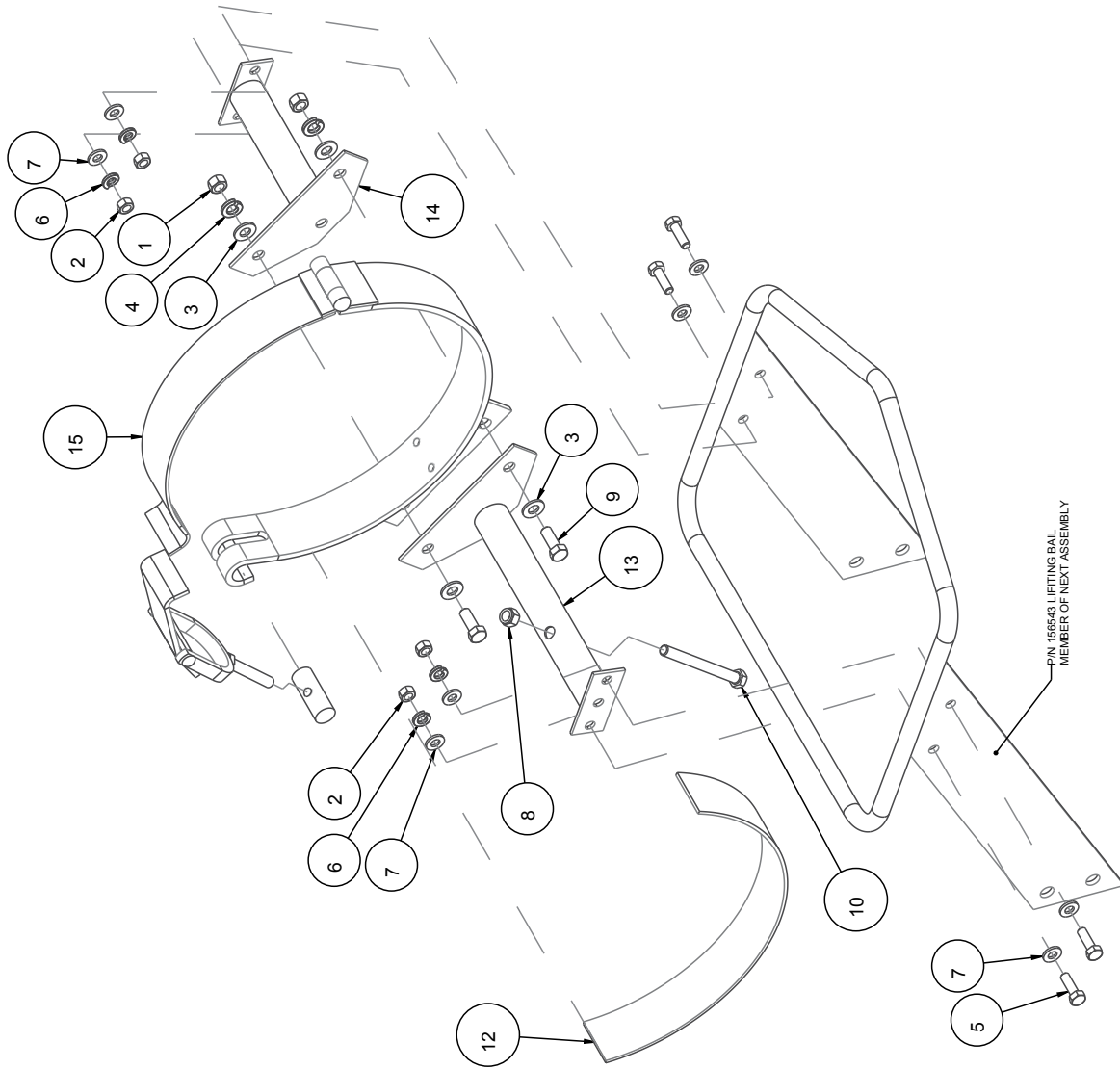


FIGURE 4 - BRACKET - P/N 158878

ITEM NO.	DESCRIPTION	PART #	QTY.
1	NUT, HEX, 3/8-16	101188	2
2	NUT, HEX, 5/16-18	101196	4
3	WASHER, FLAT, SAE, 3/8	150923	4
4	WASHER, LOCK, SPLIT, 3/8	150925	2
5	SCREW, HEX HD, 5/16-18X1	151743	4
6	WASHER, LOCK, SPLIT, 5/16	151747	4
7	WASHER, FLAT, SAE, 5/16	151754	8
8	NUT, HEX, NYLK, 3/8-16	152505	1
9	SCREW, HEX, HD CAP, 3/8-16 X 1	152507	2
10	BOLT, 3/8-16 X 4 HEX HEAD TAP	152678	1
11	CEMENT, RUBBER W/HARDENER	155858	1
12	PAD, LPG TANK BRACKET	158874	1
13	BRACKET, LPG TANK RH	158875	1
14	BRACKET, LPG TANK LH	158876	1
15	BRACKET, LPG TANK	158877	1

FIGURE 5 - FRAME, LESS ENGINE - P/N 170870-K

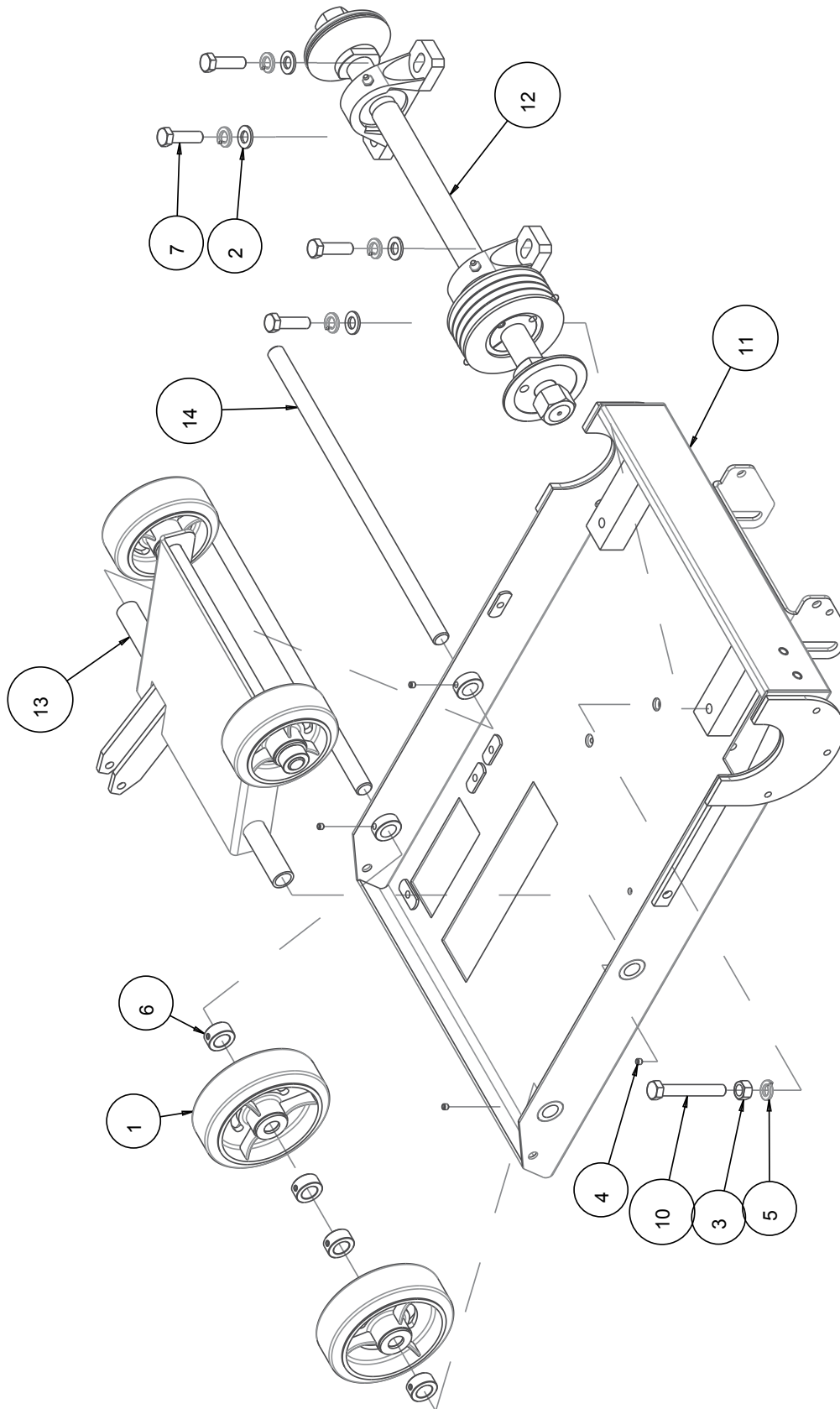


FIGURE 5 - FRAME, LESS ENGINE - P/N 170870-K

ITEM NO.	DESCRIPTION	PART #	QTY.
1	WHEEL, REAR CONCRETE SAW	138529	2
2	WASHER, 1/2 SAE FLAT	150924	4
3	NUT, 1/2-13 HEX	151282	1
4	SCREW, SET, CUP PT, 5/16-18X1/4	152607	4
5	WASHER, 1/2 SPLIT LOCK	153524	5
6	COLLAR, SET, 3/4"	153814	4
7	SCREW, 1/2-13 X 1-3/4 HEX HEAD CAP	153853	4
8	ASSY, THROTTLE CONTROL	155406	1
9	ASSY, PIN CLEVIS 3/8 X 1 - /14	156611	1
10	SCREW, HEX HD, TAP, 1/2-13X3-1/2	158284	1
11	FRAME, WELDMENT, 24"	170788	1
12	ASSY, BLADE SHAFT, 2424	170864	1
13	ASSY, TRUCK	170867	1
14	AXLE, 3/4 X 18	170869	2

FIGURE 6 - FRAME, LESS ENGINE - P/N 170870-K

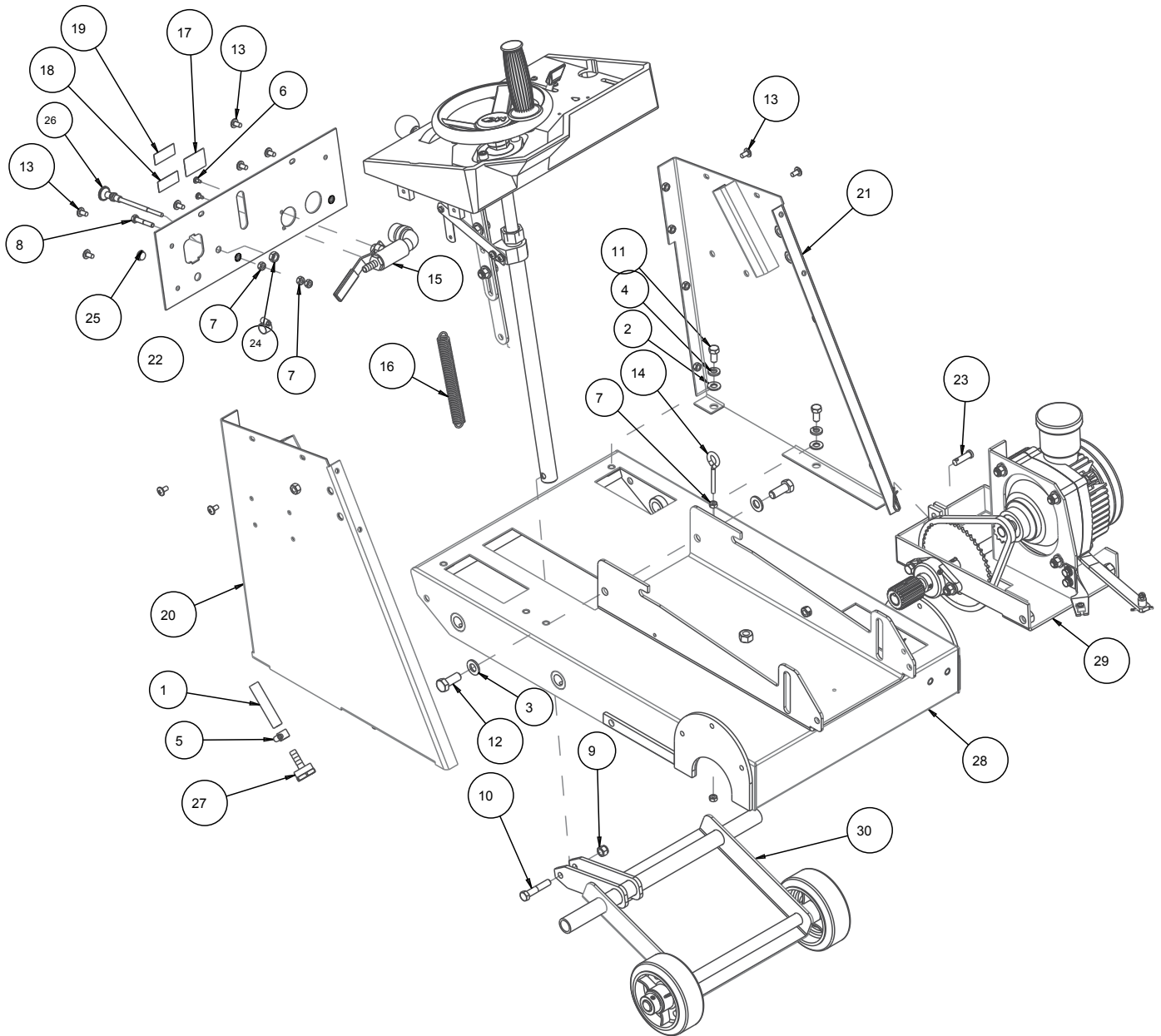


FIGURE 6 - FRAME, LESS ENGINE - P/N 170870-K

ITEM NO.	DESCRIPTION	PART #	QTY.
1	HOSE, 3/8 X 5/8 VINYL, 48"	150845	1
2	WASHER, FLAT, SAE, 3/8	150923	13
3	WASHER, 1/2 SAE FLAT	150924	2
4	WASHER, LOCK, SPLIT, 3/8	150925	4
5	CLAMP, HOSE, 5/8	151198	2
6	SCREW, PAN HD SELF TP10-24 X 3/8	151262	2
7	NUT, HEX, 1/4 - 20	151893	6
8	SCREW, HEX HEAD 1/4 - 20 X 1-1/2"	151914	1
9	NUT, 3/8 - 16 NYLOK HEX	152505	6
10	SCREW, HEX HD, CAP, 3/8 - 16 X 2	153485	2
11	SCREW, HEX, 3/8 - 16 X 3/4	153527	4
12	SCREW, 1/2 - 13 X 1-1/4 HEX HEAD CAP	153532	2
13	SCREW, 1/4 - 20 X 1/2 TRUSS HEAD	153880	10
14	EYEBOLT, 1/4 - 20 X 2	153887	1
15	ASSY, WATER VALVE	153888	1
16	SPRING, EXTENSION, 3/4OD X 6.5L X .091WIRE	153957	1
17	LABEL, WATER SHUT OFF/ON	154404	1
18	LABEL, ENGAGE	154405	1
19	LABEL, DISENGAGE	154406	1
20	PANEL, SIDE COV R HND	156500	1
21	PANEL, SIDE COV L HND	156501	1
22	PANEL, TOWER UPPER KSP	156504-K	1
23	ASSY, PIN CLEVIS 3/8 X 1-1/4	156611	1
24	NUT, HEX, JAM, 3/8-24	156623	1
25	PLUG, 1/2 FLUSH HEAD BUTTON	156779	1
26	CABLE, CHOKE, KOHLER (COMP)	158871	1
27	FITTING, 3/4 X 11.5 FNH X 3/8 BARB	163991	1
28	FRAME, WELDMENT, 24"	170788	1
29	ASSY, TRANSMISSION	170862	1
30	ASSY, TRUCK	170867	1

FIGURE 7 - FRAME, LESS ENGINE - P/N 170870-K

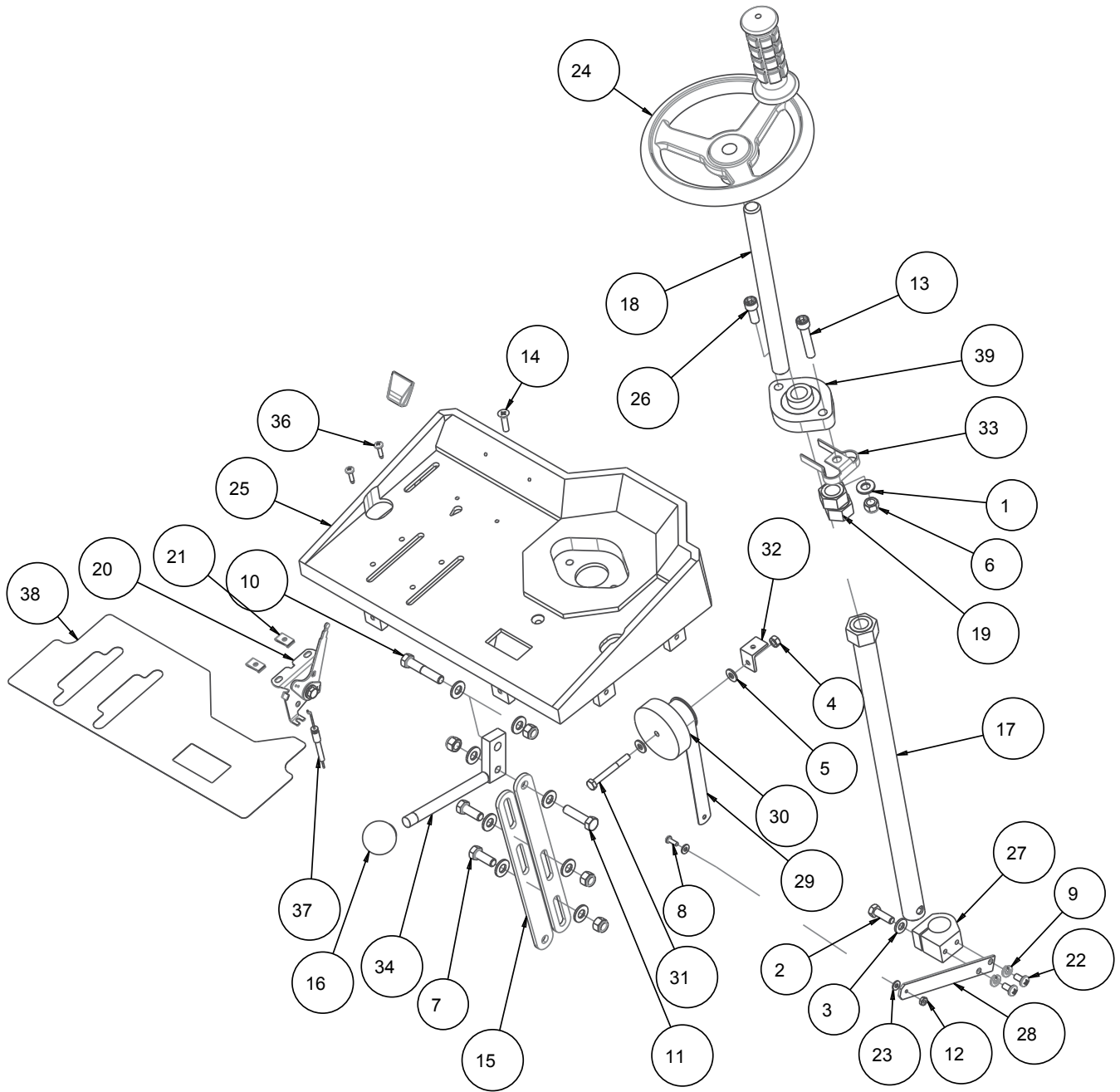


FIGURE 7 - FRAME, LESS ENGINE - P/N 170870-K

ITEM NO.	DESCRIPTION	PART #.	QTY.
1	WASHER, FLAT, SAE, 3/8	150923	9
2	SCREW, HEX HD, 5/16 - 18 X 1	151743	1
3	WASHER, FLAT, SAE, 5/16	151754	1
4	NUT, HEX, 1/4 - 20	151893	1
5	WASHER, 1/4 SAE FLAT	151915	2
6	NUT, 3/8 -16 NYLOK HEX	152505	5
7	SCREW, HEX HD CAP, 3/8 - 16 X 1	152507	2
8	SCREW, RND HD, #8 - 32 X 1/2	152517	1
9	WASHER, 1/4 SPLIT LOCK	152951	2
10	SCREW, HEX HD, 3/8 - 16 X 2	153485	1
11	SCREW, 3/8 -16 X 1-1/2 HEX HEAD	153528	1
12	NUT, HEX, 8 -32	153549	1
13	SCREW, SOC HD, CAP, 3/8 - 16 X2	153643	1
14	SCREW, FLAT HD, SOC, 1/4 -20 X 1"	153894	1
15	ARM, DRIVE ADJUSTMENT	154242	2
16	KNOB, 1/2 - 20 FEM BALL	154486	1
17	LINKAGE, DEPTH FEED 1600/9000	155049	1
18	STUD, 3/4 - 10 X 10"	155062	1
19	NUT, 3/4 - 10 HEX	155063	2
20	ASSY, THROTTLE CONTROL	155406	1
21	NUT, 10 -24 CLIP	155407	2
22	SCREW, PAN HD, CAP, 1/4 - 20 X 1/2	155452	2
23	WASHER, FLAT, SAE, #8	155454	2
24	ASSY, CRANK WHEEL, 3/4 - 10	155457	1
25	PANEL, CONTROL (COMP)	156305	1
26	SCREW, SOCKET HEAD CAP 3/8 - 16 X 1	156602	1
27	CLAMP, DEPTH INDICATOR	156603	1
28	ARM, DEPTH INDICATOR	156604	1
29	SPRING, DEPTH GAUGE	156605	1
30	SPOOL, 2.75 DIA DEPTH INDICATOR	156606	1
31	SCREW, HEX HD, CAP, 1/4 - 20 X 2 - 1/4	156607	1
32	BRACKET, DEPTH INDICATOR	156608	1
33	SPRING, DETENT	156609	1
34	HANDLE, ENGAGE	156610	1
35	ASSY, PIN CLEVIS 3/8 X 1 - 1/4	156611	1
36	SCREW, PAN HD PHIL MS 10 - 24 X 3/4	156641	2
37	CABLE, TRANSMIS 20 -SERIES, COMP	156643	1
38	LABEL, CONTROL PANEL	156749	1
39	BEARING, FLANGE, 3/4 ID, FD204	165971	1

FIGURE 8 - TRUCK - P/N 170867

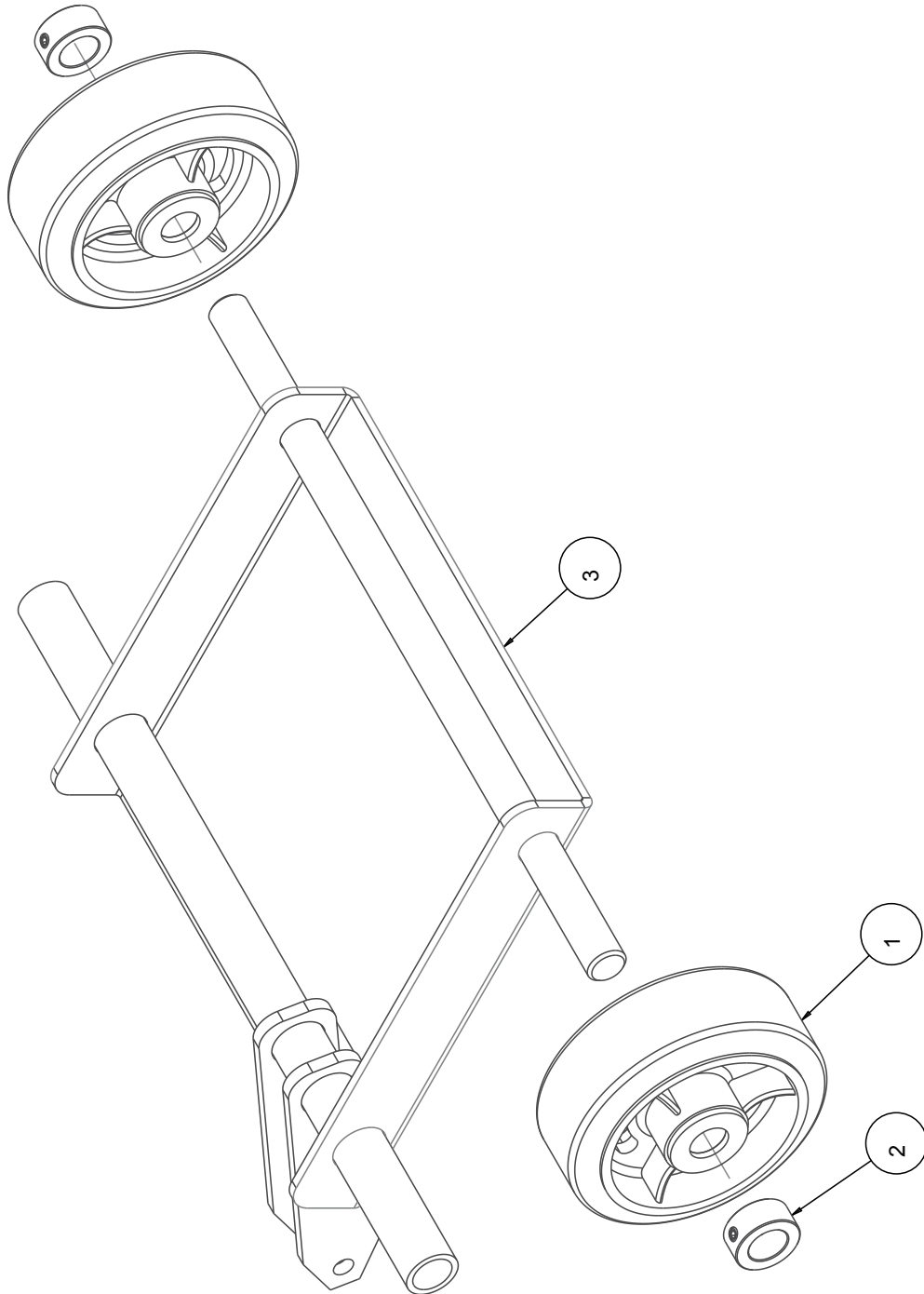


FIGURE 8 - TRUCK - P/N 170867

ITEM NO.	DESCRIPTION	PART #	QTY.
1	WHEEL, FRONT5"X2"W	138537	2
2	COLLAR, SET, 3/4"	153814	2
3	TRUCK	170868	1

FIGURE 9 - MK-2425KSP LPG TRANSMISSION P/N 169711

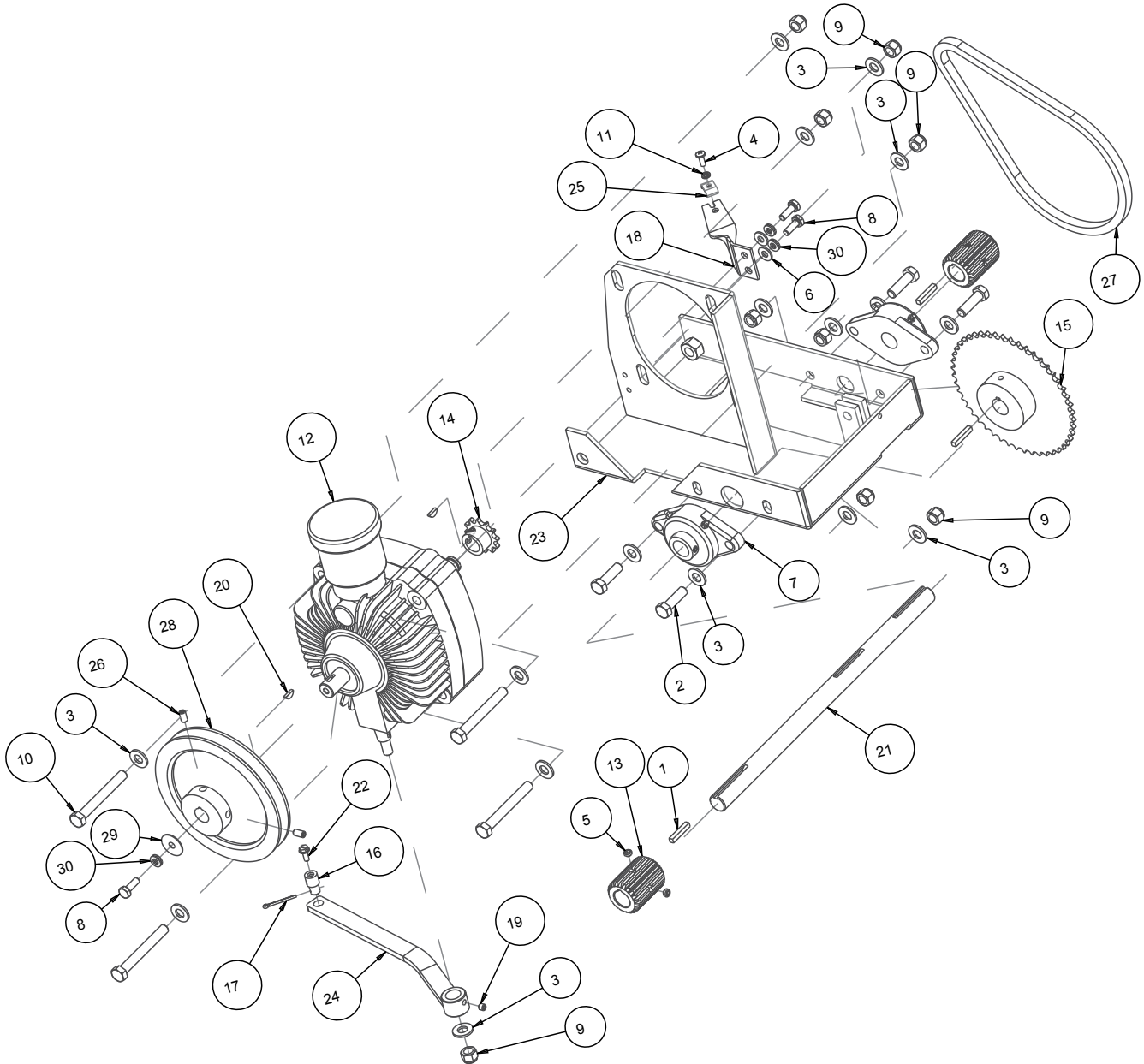
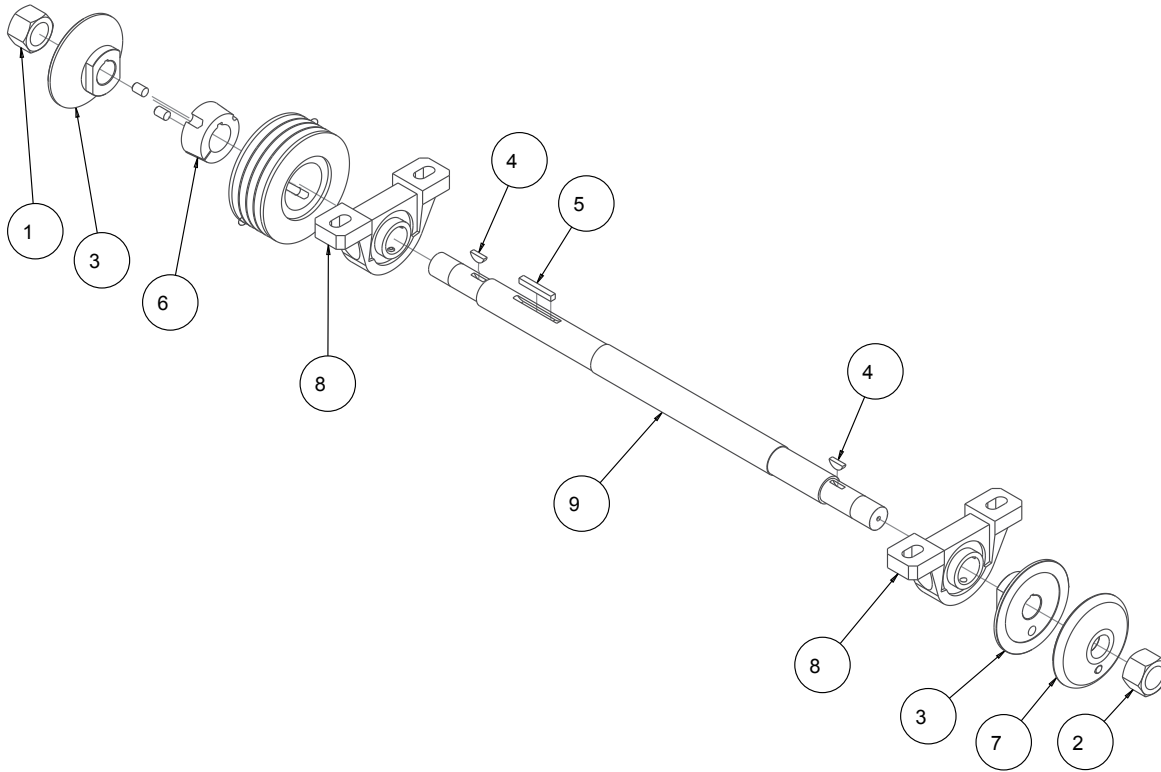


FIGURE 9 - MK-2425KSP LPG TRANSMISSION P/N 169711

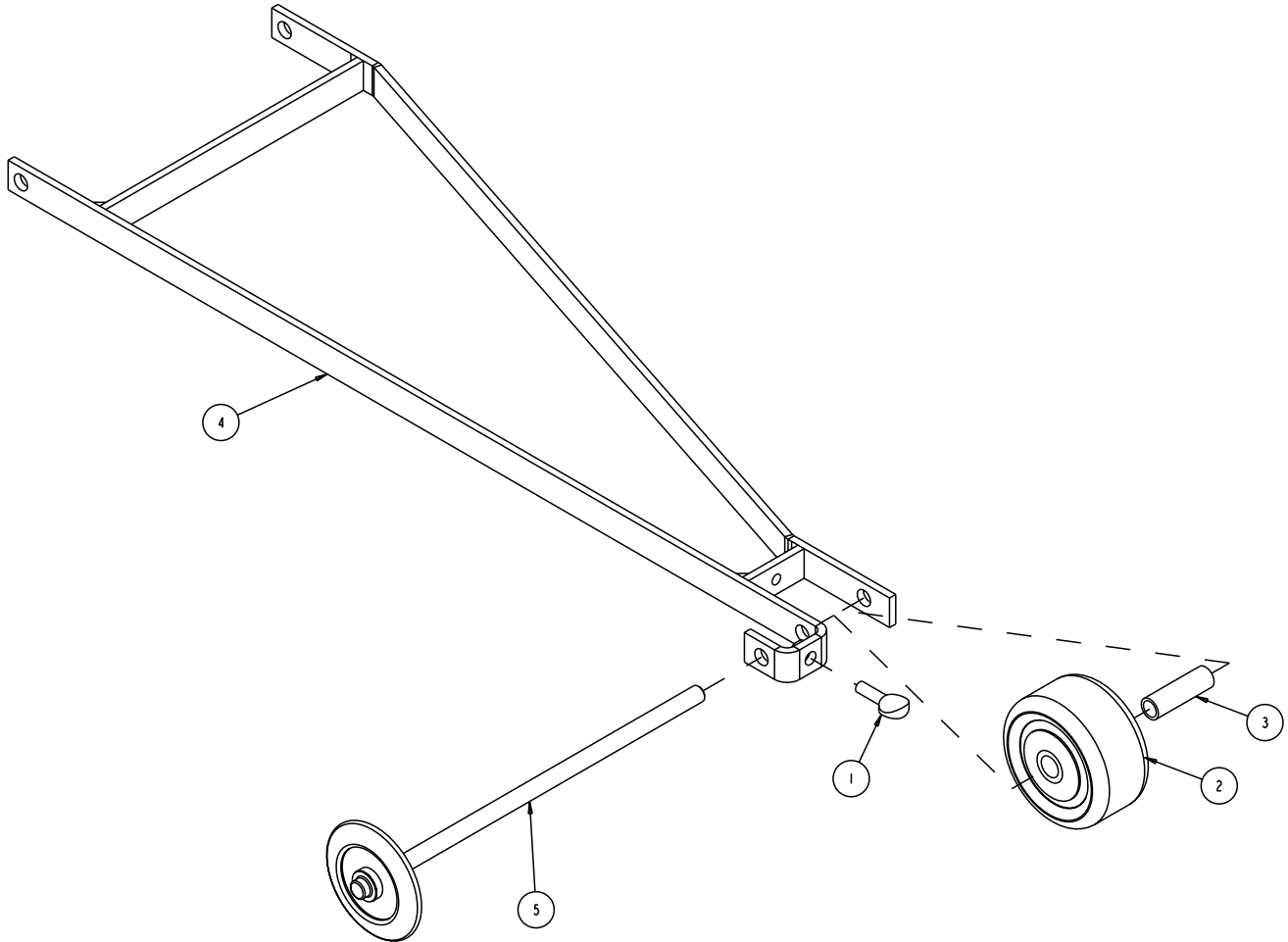
ITEM NO.	DESCRIPTION	PART #	QTY.
1	KEY, 3/16 SQ X 1 - 1/8	150344	3
2	SCREW, 3/8 - 16 X 1 - 1/4 HEX HEAD CAP	150774	4
3	WASHER, FLAT, SAE, 3/8	150923	17
4	SCREW, PAN HD, 10 - 32 X 1/2	151052	1
5	SCREW, SET, CUP PT, 5/16 - 18 X 3/16	151167	4
6	WASHER, 1/4 SAE FLAT	151915	2
7	BEARING, Ø 3/4 FLANGE	152025	2
8	SCREW, HEX HD, 1/4 - 20 X 3/4	152370	2
9	NUT, 3/8 - 16 NYLOK HEX	152505	9
10	SCREW, 3/8 - 16 X 3 HEX HEAD CAP	153113	4
11	WASHER, #10 SPLIT LOCK	153684	1
12	PUMP, TRANSMISSION	153783	1
13	SPLINE, 1 - 1/2 X 2	153786	2
14	SPROCKET, #35-B12 X 17 MM BORE	153811	1
15	SPROCKET, #35-B12 X 17 MM BORE	153812	1
16	PIN, WIRE STOP	153842	1
17	PIN, COTTER 1/8 X 1 - 1/2	153860	1
18	BRACKET, TRANS CONTROL	153862	1
19	SCREW, SET CNE PT 1/4 - 20 X 1/4	153864	1
20	KEY, WOODRUFF, 1/8 X 1/2	153865	2
21	SHAFT, FRICTION DRIVE	153891	1
22	SCREW, HEX HD FL 10 - 24X 5/16	154172	1
23	MOUNT, TRANS	154230	1
24	LEVER, TRANS CONTROL	154238	1
25	CLAMP, CABLE	154383	1
26	SCREW, 1/4 - 20 X 1/2 SOCKET HEAD SET	155804	2
27	CHAIN, ROLLER	156309	1
28	PULLEY, A6.2 X 17 MM BORE, OFFSET	164565	1
29	WASHER, FENDER, 1/4 X 1	169049	1
30	WASHER, CHROMATE, 1/4 PAIR	169693	3

FIGURE 10 - BLADE SHAFT - P/N 170864



ITEM NO.	DESCRIPTION	PART #	QTY.
1	NUT, 1 - 14 RIGHT HAND	138693	1
2	NUT, 1 - 14 LEFT HAND	138701	1
3	FLANGE, INNER	150731	2
4	KEY, 3/16 X 3/4 WOODRUFF	150794	2
5	KEY, SQUARE, 1/4 X 1 - 3/4	150796	1
6	BUSHING, TPR-LOCK 1610X1 - 3/16"	155011	1
7	ASSY, OUTER FLANGE, 4"	155451	1
8	BEARING, 1 - 3/16X24 ID PILLOW BLOCK	155622	2
9	SHAFT, BLADE, 1 3/16 x 24	170865	1
10	PULLEY,4/3VX/4.75 X 1615TB	170866	1

FIGURE 11 - ASSY, POINTER - P/N 166465



ITEM NO.	DESCRIPTION	PART #	QTY.
1	SCREW, THUMB 1/4 - 20 X 3/4	150991	1
2	WHEEL, POINTER, 3"	155066	1
3	BUSHING, 3/8ID X 1 - 5/8L	155153	1
4	POINTER ARM, MK-1600	156544	1
5	ASSY, POINTER WHEEL	165238	1

FIGURE 12 - ENGINE, KOHLER CH730LPG - P/N 170965

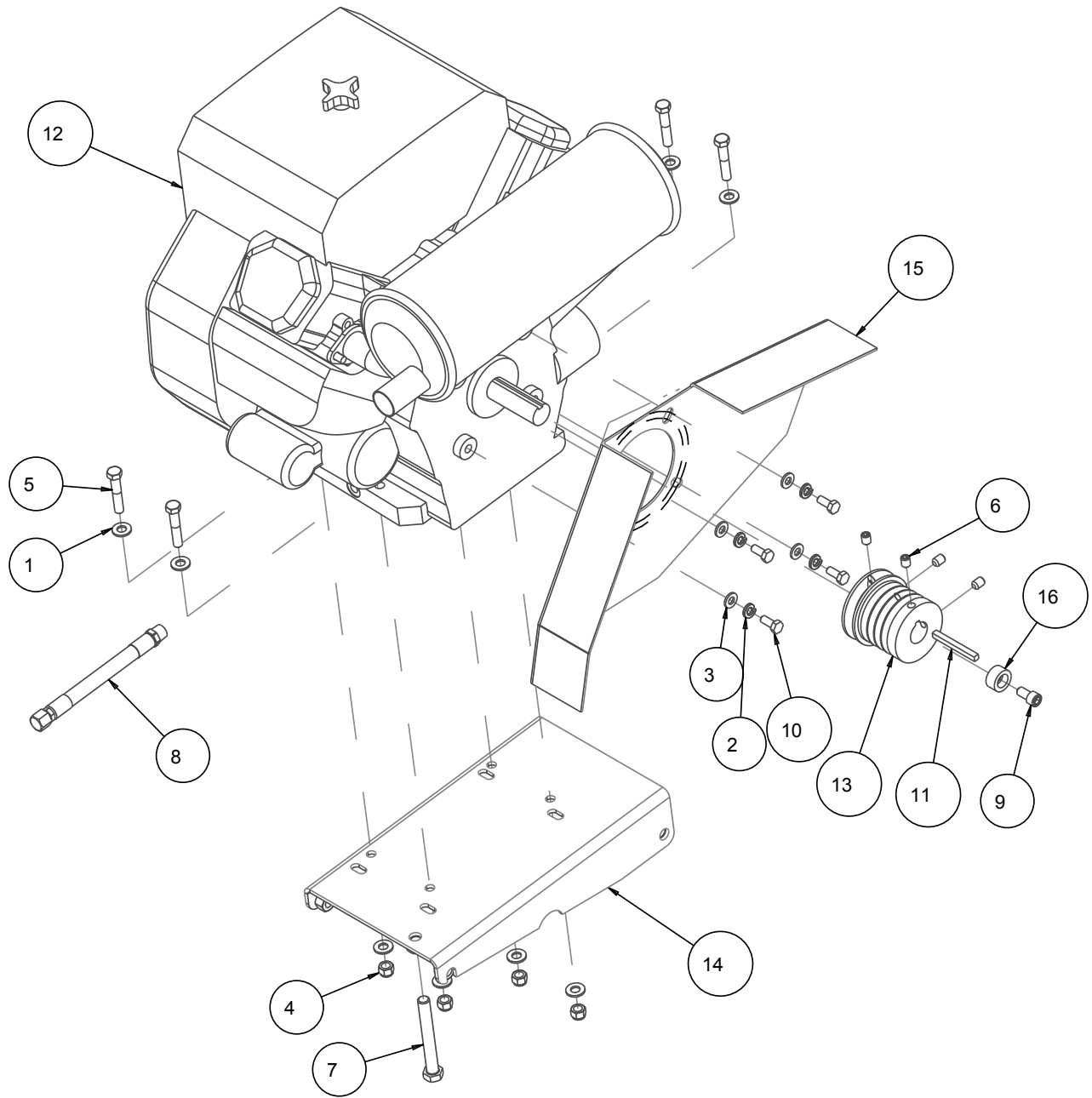
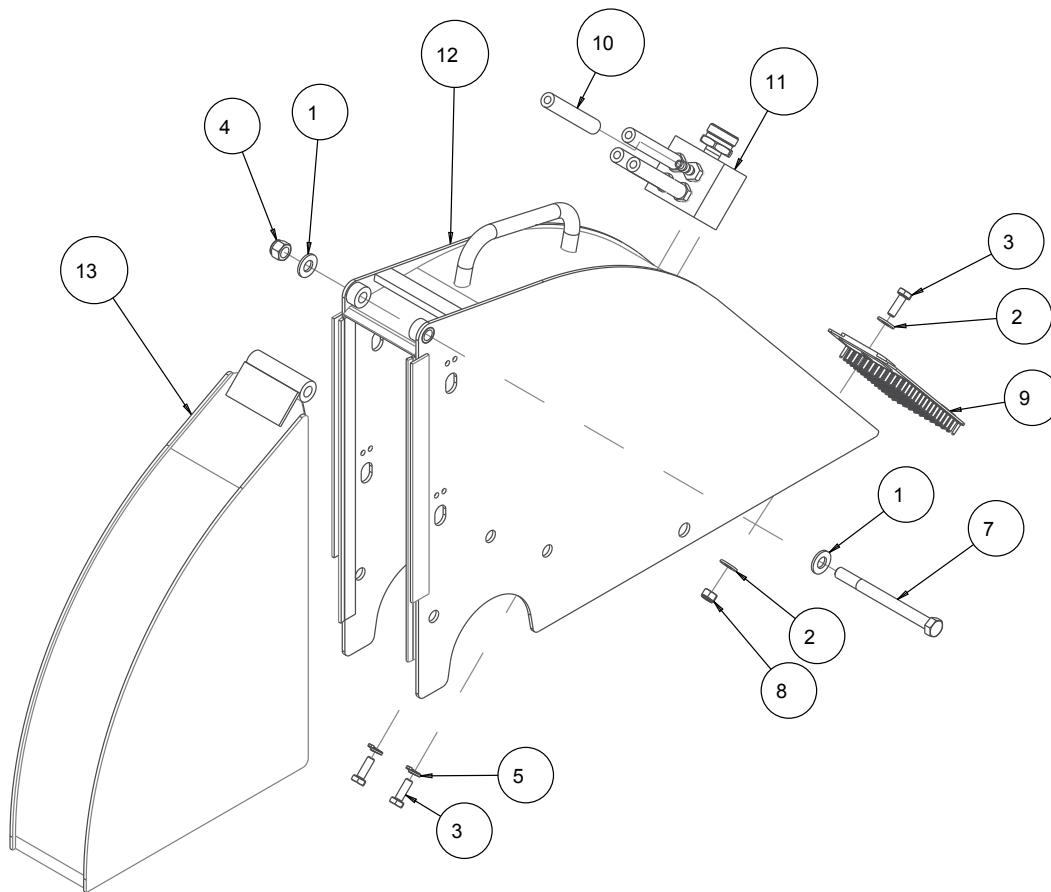


FIGURE 12 - ENGINE, KOHLER CH730LPG - P/N 170965

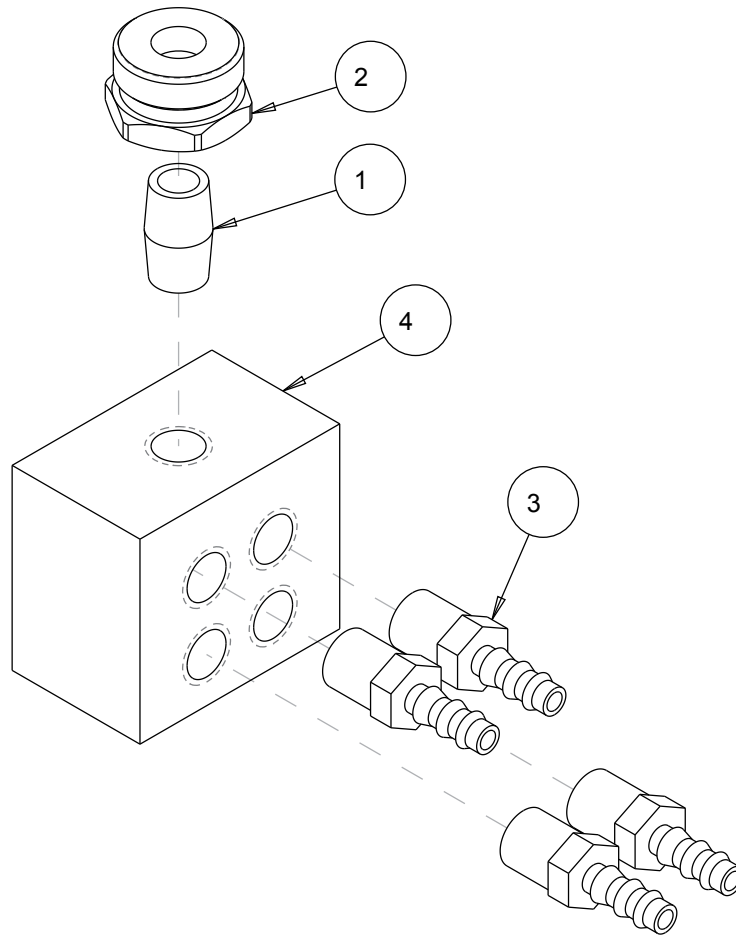
ITEM NO.	DESCRIPTION	PART #	QTY.
1	WASHER, FLAT, SAE, 3/8	150923	8
2	WASHER, LOCK, SPLIT, 5/16	151747	4
3	WASHER, FLAT, SAE, 5/16	151754	4
4	NUT, 3/8 - 16 NYLK HEX	152505	4
5	SCREW, HEX HD, 3/8 - 16 X 2	153485	4
6	SCREW, SET, SOC, CUPT, 3/8-16X1/2	153710	4
7	SCREW, HEX, HD, TAP, 1/2-13X4	156626	1
8	HOSE, OIL DRAIN, 3/8MNPT	157577-05	1
9	SCREW, HEX HD, CAP, 3/8-24X3/4	158496	1
10	SCREW, HEX HD, CAP, 5/16-24X3/4	165617	4
11	KEY, SQUARE, 1/4X2-1/2	165779	1
12	ENGINE, KOHLER, CH730LPG 25HP	170589	1
13	PULLEY, 4/3V28/A32 X 1 BORE	170876-1	1
14	MOUNT, ENGINE	170877	1
15	GUARD, BELT, OUTER, 24KSP	171152	1
16	STUB, PTO, 24KSP	171154	1

FIGURE 13 - BLADE GUARD - P/N 170830-24



ITEM NO.	DESCRIPTION	PART#	QTY.
1	WASHER, FLAT, SAE, 3/8	150923	2
2	WASHER, FLAT, SAE, 1/4	151915	2
3	SCREW, HEX HD, 1/4-20X3/4	152370	3
4	NUT, HEX, NYLK, 3/8-16	152505	1
5	WASHER, LOCK, SPLIT, 1/4	152591	2
6	TIE, NYLON CABLE, 1/8 X 4, BLACK	158528	4
7	SCREW, HEX HD, 3/8-16X4-1/4	158604	1
8	NUT, HEX, NYLK, 1/4-20	159857	1
9	GUARD, SPLASH	160310	1
10	HOSE, VINYL, 1/4 X 1/2 (24\"L)	167620	4
11	ASSY, WATER MANIFOLD, 4T	167625	1
12	GUARD, BLD, REAR, BOLT-ON, 24\"	170828-24	1
13	GUARD, BLD, FRNT, BOLT-ON, 24\"	170829-24	1

FIGURE 14 - WATER MANIFOLD - P/N 167625



ITEM NO.	DESCRIPTION	PART #	QTY.
1	NIPPLE, 1/4 NPT X CLOSE, BRASS	159905	1
2	FITTING, 3/4X11.5 MNH X 1/4 FNPT	163992	1
3	FITTING, PUSH ON HOSE 1/4 X 1/4 MALE	165183	4
4	MANIFOLD, WATER, 4 TUBE	167623	1

FIGURE 15 - ASSY WATER PUMP KIT P/N 172896 (OPTIONAL)

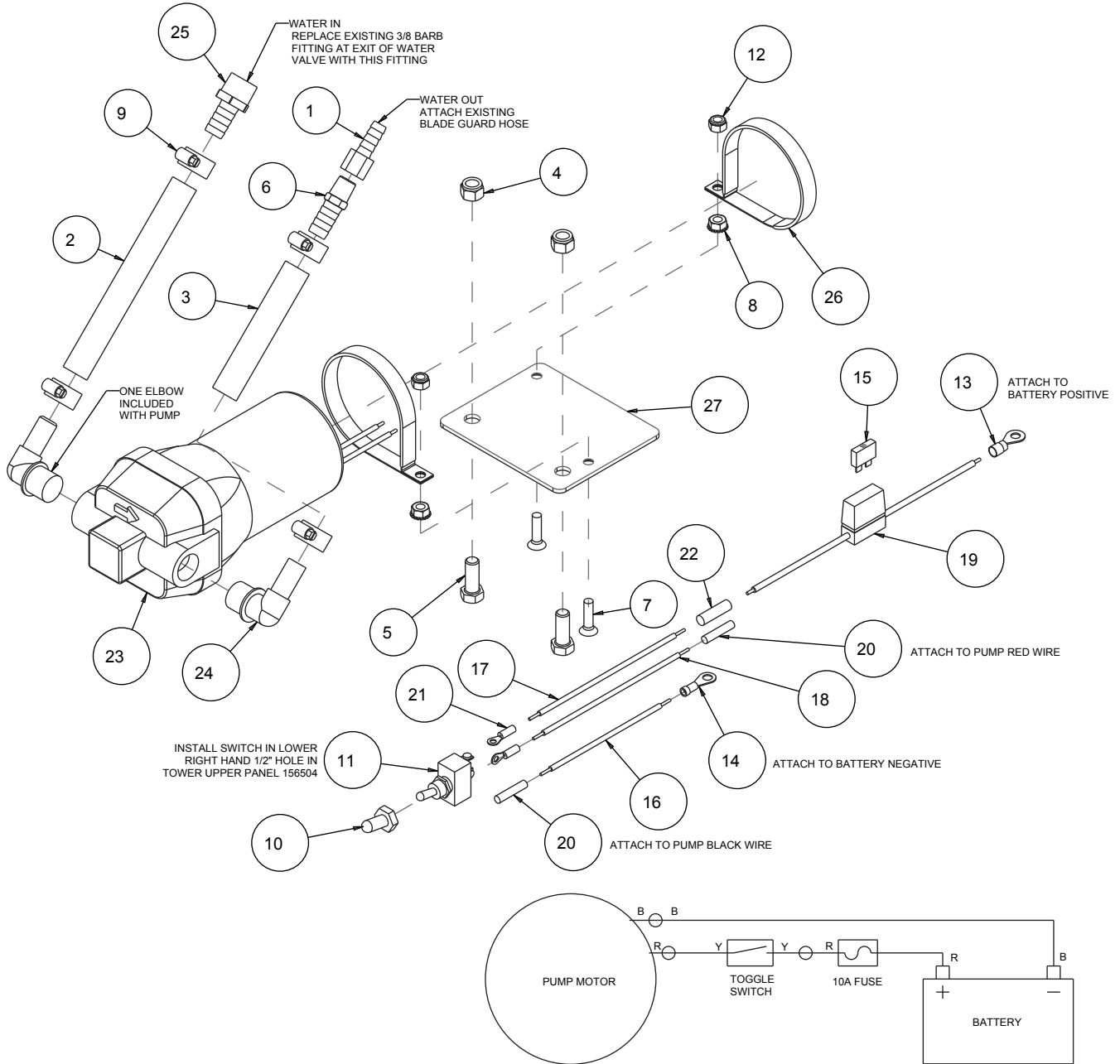


FIGURE 15 - ASSY WATER PUMP KIT P/N 172896 (OPTIONAL)

ITEM NO.	DESCRIPTION	PART #	QTY.
1	FITTING, 1/4 FNPT X 3/8 BARB	152077	1
2	HOSE, VINYL, 1/2 X 3/4 (26")	152410	1
3	HOSE, VINYL, 1/2 X 3/4 (4")	152410	1
4	NUT, HEX, NYLK, 3/8-16	152505	2
5	SCREW, HEX HD CAP, 3/8-16 X 1	152507	2
6	FITTING, 1/4 MNPT X 1/2 BARB	152704	1
7	SCREW, FLAT HD. SOC. 1/4-20 X 1"	153894	2
8	NUT, HEX, TW, 1/4-20	153941	2
9	CLAMP, HOSE, 7/8	154173	4
10	COVER, SWITCH	154301	1
11	SWITCH, TOGGLE 15A/120V 1 PST	156649	1
12	NUT, HEX, NYLK, 1/4-20	159857	2
13	TERMINAL, 12-10 X 1/4 RING PI	152471	1
14	TERMINAL, 16-14 X 1/4 RING PI	162538	1
15	FUSE, 10A ATC BLADE	164597	1
16	WIRE, 14GA BLACK AWN, 24"	168519	1
17	WIRE, 1015, 14GA YELLOW, 26"	168521	1
18	WIRE, 1015, 14GA YELLOW, 52"	168521	1
19	FUSEHOLDER, INLINE, ATC	168973	1
20	TERMINAL, 16-14 BUTT SPLICE	169436	2
21	TERMINAL, 16-14 X #8 RING PI	169440	2
22	TERMINAL, 12-10 BUTT SPLICE	169441	1
23	PUMP, WATER, DIAPHRAGM, 12VDC	170389	1
24	ELBOW, FJ PORT X 1/2 BARB	170390	1
25	FITTING, 1/2 MNPT X 1/2 BARB	170396	1
26	CLAMP, CUSHION LOOP, 3	170398	2
27	PLATE, FLOJET WP, 4000	170521	1
28	SHEET, INSTRUCTION, 20/24 SERIES WATER PUMP KIT	172896-IS	1

MK-2425KSP CONCRETE SAW
PARTS LIST



MK Diamond Products, Inc.

MK Diamond Products, Inc.
1315 Storm Parkway
Torrance, CA 90501

Toll-Free: (800) 421-5830
Phone: (310) 539-5221
Fax: (310) 539-5158
www.mkdiamond.com