

# MK-APCW OWNERS MANUAL & OPERATING INSTRUCTIONS



Revision 200	10.2010
<b>Manual Part No. 168758</b>	

**Caution:** Read all safety and operating instructions before using this equipment. This owners manual **MUST** accompany the equipment at all times.

# INSTRUCTION

## INTRODUCTION

The MK-APC/W walk-behind air saw is designed for simple operation and has been proven to be extremely useful and versatile. A 12" to 20" diameter diamond blade may be mounted on the saw if it is rated and approved for operation at 3,300 RPM. READ, AND CAREFULLY FOLLOW, THE OPERATING AND SAFETY INSTRUCTIONS OF THIS OPERATING AND SAFETY INSTRUCTION MANUAL BEFORE USING THIS PRODUCT. Since safety regulations can vary between different countries and states, you must contact proper authorities and follow all appropriate regulations.

## IMPORTANT SAFETY INSTRUCTIONS

No person should attempt to operate this saw without first being trained in the operation of industrial cutting tools. These instructions are not intended as a substitute for training and experience. The operator must observe safeguards that include, but are not limited, to the following:

- DO NOT MODIFY ANY SAW FROM ITS ORIGINAL DESIGN WITHOUT THE WRITTEN PERMISSION OF THE MANUFACTURER. UNAUTHORIZED MODIFICATIONS CAN LEAD TO SERIOUS INJURY OR DEATH TO YOURSELF OR OTHERS.
- DO NOT use any blade marked for less than 3,300 RPM.
- DO NOT service the saw or change blades without first disconnecting the power.
- DO NOT install a blade before inspecting the blade for damage.
- DO NOT operate saw with a damaged blade. A damaged blade may fly apart and cause serious injury or death.
- DO NOT use a blade that wobbles when mounted on the saw.
- Verify blade is correct for application before use.
- Verify blade rotation matches the direction arrow on blade guard.
- DO NOT apply power to the blade before spinning the blade by hand to check alignment.
- DO NOT operate with any loose nuts or bolts. Check all nuts and bolts for tightness.
- DO NOT operate without appropriate ear, eye, foot, hand and breathing protection..
- DO NOT operate around any loose or foreign objects that may damage system.
- DO NOT operate saw if arbor shaft has excessive end play.
- DO NOT cut material that the blade is not designed for.
- DO NOT operate saw near combustible material or fumes.
- DO NOT force blade through material to be cut. Always ease blade through material.

## MK-APC/W WALK-BEHIND AIR SAW OPERATING INSTRUCTIONS

### A. BEFORE OPERATING THE SAW

1. Be sure all nuts and bolts are tight.
2. Check the air supply for the correct pressure (90 PSI Min.) and rating (85 CFM Min.)
3. Turn on air supply and check for leaks.
4. Be sure to clean air hose to discharge any dirt, scale or moisture (and do so before each use).
5. Connect the air hose while pouring a small amount of general purpose air tool oil into other hose connector on the handle to flush out any moisture and lubricate the motor.
6. Ensure the in-line oiler is filled with Pneumatic Ice Free Oil.

### B. WHILE OPERATING THE SAW

1. Before contacting the material to be cut, squeeze the trigger and allow the saw to reach full speed.
2. Ease the saw blade into the material being cut.
3. At the end of the cut, lift the saw until the blade is clear of the cut, then release the trigger.
4. Allow the blade to come to a complete stop before setting it down.
5. Check the in-line oiler for oil level after 2-3 hours of operation.
6. When the rear wheel behind the blade needs to be moved so it is not directly behind the blade, roll the saw onto its side and remove the "R" clip. Pull the axle out and retain in the outboard position using the "R" clip.

### C. AFTER OPERATING THE SAW

1. Shut off air supply and bleed air line to relieve pressure.
2. Remove the air line and fit a protective cover to the air inlet.
3. Clean the saw by removing all accumulated dust.
4. Give grease fitting a couple shots of grease after every 40 hours of operation.

### D. ASSEMBLY OF WATER TANK KIT

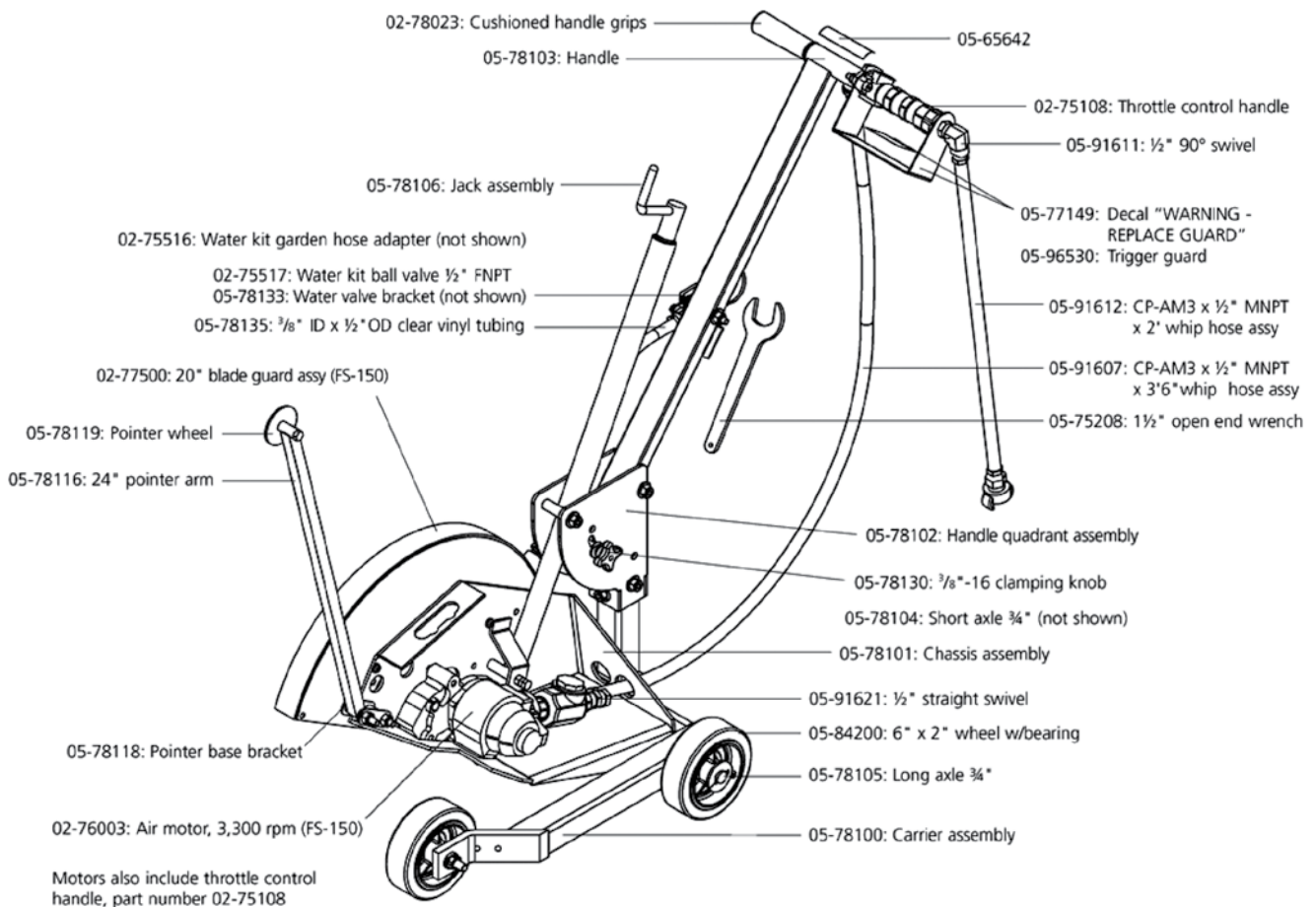
1. Attach the water tank frame to the saw's chassis by sliding the frame from the front towards the back. A 3" bolt will secure the top back of the frame to the handle quadrant and two 5/16" bolts will attach the front leg of the frame to the front of the chassis.
2. Mount the plastic water tank to the frame and secure it with 4 "L" clamping brackets supplied. Attach one end of the water feed hose with the control valve to the bottom of the water tank. The end with the "Y" should be attached to the two 16" clear plastic tubings.
3. Attach one water feed nozzle to each side of the blade guard. Each nozzle should have a 16" clear plastic tubing attached which is rested against the blade. In this way, the water will be guided directly onto the cutting surface.

# INSTRUCTION

## E. ASSEMBLY INSTRUCTIONS:

For shipping convenience, your saw (MK-APC/W) may have been shipped without attaching of handle assembly, jack assembly and pointer.

- 1. INSTALL THE JACK ASSEMBLY:** Release the 2 3/4" bolt on the jack bracket from the saw chassis and the center bolt on the handle quadrant. Rotate the crank on the jack assembly counterclockwise so that the two pivot tubes line up with the nut on the jack bracket and the holes of the center bolt. Notice that the upper pivot tube has to face down and the lower pivot tube has to face up. First, insert the center bolt through the handle quadrant plates and the jack's upper tube and tighten it. Then, insert and tighten the bolt on the jack bracket through the lower pivot tube until the bolt goes through the hole on the chassis.
- 2. INSTALL HANDLE ASSEMBLY ON THE HANDLE QUADRANT:** Attach handle bar grip to handle assembly. Adjust the water valve to a 45 degree position by loosening the bolt and adjust the water valve bracket with the 45 degree cut parallel to the handle, tighten the bolt. Pull out the knob's bolt and the edge bolt on the handle quadrant. Slide the handle assembly between the two plates of handle quadrant so that the two handle pivot tubes line up with holes of the knob's bolt and edge bolt. Bolt them up. Attach the longer air hose on the handle assembly to the oiler on the saw.
- 3. INSTALL THE POINTER ON THE SAW:** Pull out the 2 1/2" bolt on the pointer base bracket. Place the pointer base bracket at the hole on the chassis in front of the motor which is parallel to the chassis base. Insert the bolt all the way through the blade guard and tighten it up.
- 4. INSTALL OR REPLACE BLADE:** Disconnect air supply. Remove arbor nut (left-hand threads) and outer flange from shaft. Place blade on shaft and check that the directional arrow points clockwise (counter-clockwise on upcut saws) as you turn the shaft. Install outer flange and hand tighten arbor nut (left-hand thread). Hold inner flange with supplied 2" wrench and tighten the arbor nut using the 1" or 1 1/2" wrench supplied.



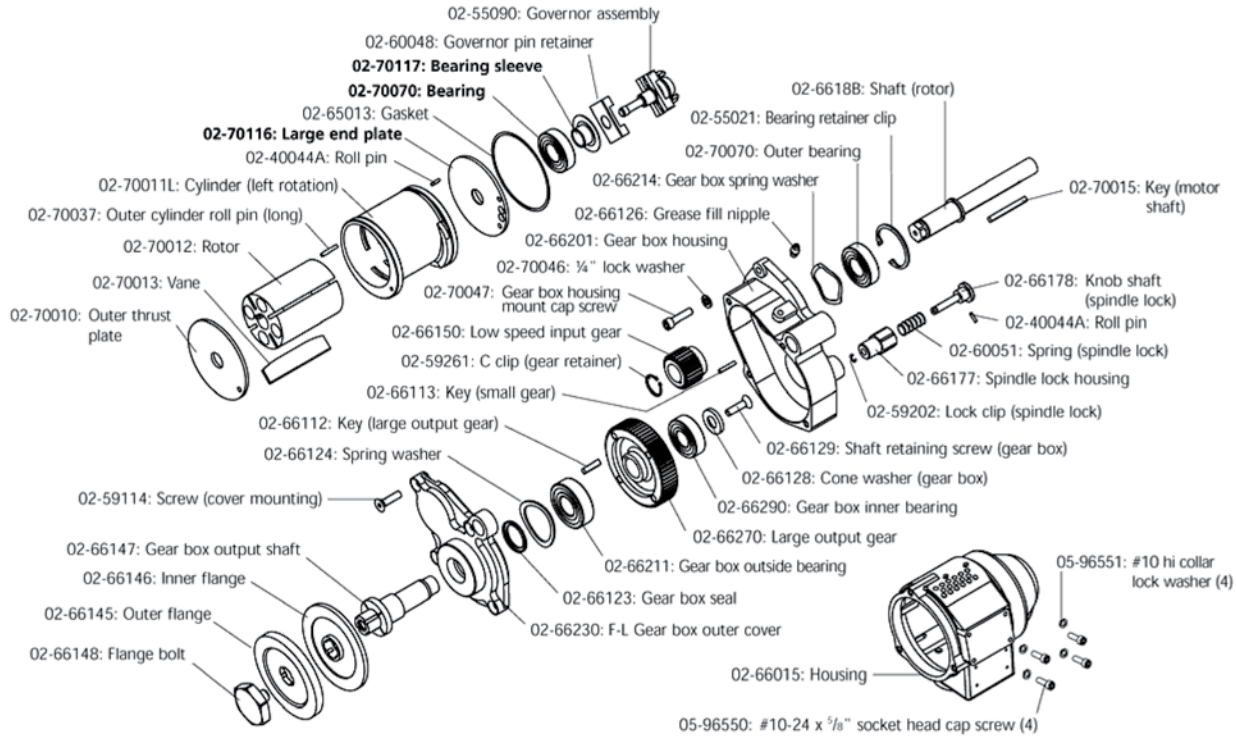


**MK Diamond Products, Inc.**

MK-APC/W	Heavy duty walk-behind air powered saw with gear box, 20" blade capacity, oiler, whip hose, water feed kit, wrenches, and one quart of ice free air oil. 3,300 RPM saw cuts to 8" depth.	05-78020
AIR OIL	Quart of petroleum based ice free oil.	02-17059
OILER	#5-PF, 1/2" NPT	02-75504
WATER TANK KIT	8 gallon tank attaches to MK-APC/W for dust suppression. Includes mounting frame and brackets.	05-78010

**3,300 RPM Air Motor 02-76003**

Items in bold below (bearing sleeve, bearing and large end plate) can be purchased as an upgrade kit (part # 02-70116A) for saw models prior to serial number UU-0981.



**LIMITED EQUIPMENT WARRANTY**

**MK Diamond Limited Warranty**

New equipment sold by MK Diamond Products is warranted to be free from manufacturing defects in normal service for a period of One (1) Year or as indicated by the product from date of purchase by the original consumer purchaser. Component manufacturers offer separate Warranty periods.

This Warranty shall not apply to any parts that have been subjected to misuse or improper service, that have been damaged in transit or handling, or that have been altered or repaired by unauthorized representatives. This Warranty does not cover defects caused by or resulting from misuse, abuse, neglect or damage caused by accident or the failure to provide reasonable maintenance.

This Warranty is void if the product or any of its individual components is altered or modified by the purchaser or if the product is used in a manner or with a blade not recommended by MK Diamond Products.

Any claim arising under this Warranty must be submitted by the original purchaser within the Warranty period specified above, and shall include proof of purchase. During said Warranty period MK Diamond Products shall, at its option, either replace or repair, at no charge to the original purchaser, any parts or components that are found to be defective by MK Diamond Products. MK Diamond Products shall not be responsible or obligated to pay for freight or other transportation-related costs or expenses in connection with any defective products or components that are either returned to MK Diamond Products'

facility or any authorized repair station and/or replacement products or components that are shipped from MK Diamond Products pursuant to this Warranty.

Parts and labor needed to maintain products, and the replacement of components due to normal wear and tear, are the purchaser's responsibility and are not covered by this Warranty. All products or components replaced under Warranty become the property of the manufacturer. All replacement parts will be considered to be part of the original product and any Warranty on such parts will expire concurrently with this original Warranty.

MK Diamond Products will pay for parts and labor in connection with Warranty repairs conducted by MK Diamond Products or its authorized repair centers. Replacement parts, installed by anyone else will be provided without a charge for such replacement parts, but this Warranty will not apply to labor charges in connection therewith.

IN NO EVENT SHALL ANY LIABILITY UNDER THIS WARRANTY EXCEED THE REPLACEMENT COST OF ANY DEFECTIVE PRODUCT OR COMPONENT THEREOF, AND MK DIAMOND PRODUCTS SHALL NOT BE LIABLE FOR ANY INCIDENTAL OR CONSEQUENTIAL DAMAGES OR FOR ANY OTHER DAMAGE OR LOSS NOT EXPRESSLY ASSUMED AS SET FORTH HEREIN. The foregoing constitutes an expressed Warranty on the terms set forth above and is the only Warranty of merchantability and/or fitness for a particular purpose or use being denied. This limited Warranty is expressly in lieu of all other Warranties, whether expressed or implied.