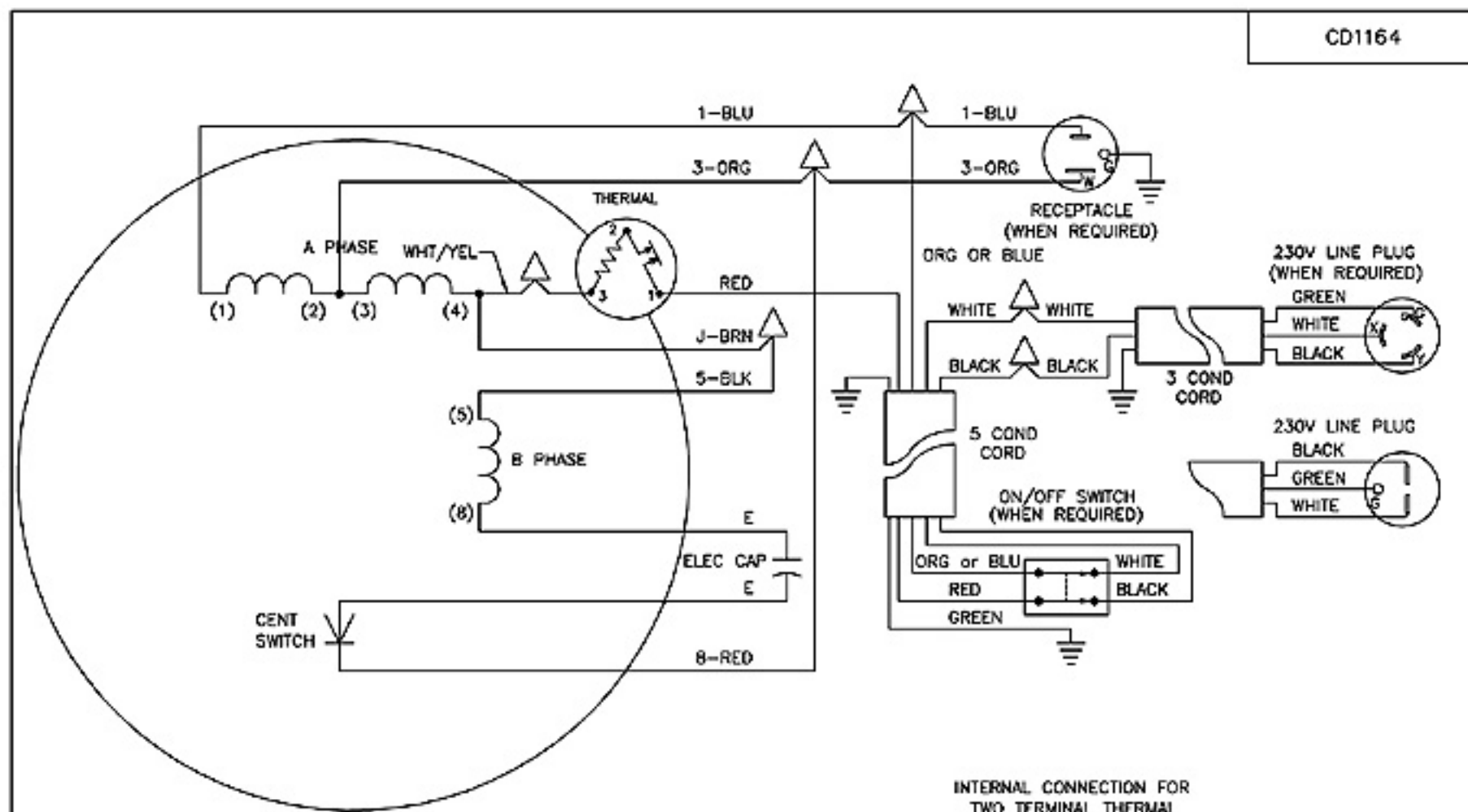


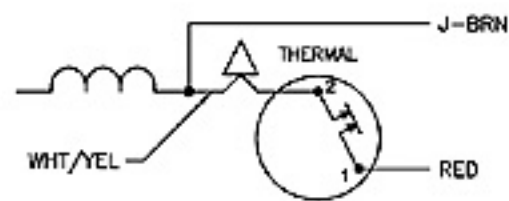
CD1164



NOTES:

1. CONNECTIONS ARE SHOWN FOR CCW ROTATION FACING END OPPOSITE SHAFT EXTENSION (STD). FOR CW ROTATION, INTERCHANGE 5 AND 8 LEADS.
2. MULTIPLE CAPACITORS ARE CONNECTED IN PARALLEL UNLESS OTHERWISE SPECIFIED.
3. LEAD COLORS ARE OPTIONAL. LEADS MUST ALWAYS BE NUMBERED AS SHOWN.

INTERNAL CONNECTION FOR TWO TERMINAL THERMAL



REV. DESC: SHOW BLU OR ORG ON THE SWITCH BOX		
REV. LTR: E	VERSION: 03	TDR: 000000467105
CD1164	FILE: \AAA\00038\712	REVISED: 12:40:57 06/09/2008
	MTL: -	BY: ENCHECD

BALDOR • DODGE • RELIANCE

TYPE L, SV, REV, TP, CD&PLUG, CORD&SW, 115V RECEPT(SPL POL)

CD1164