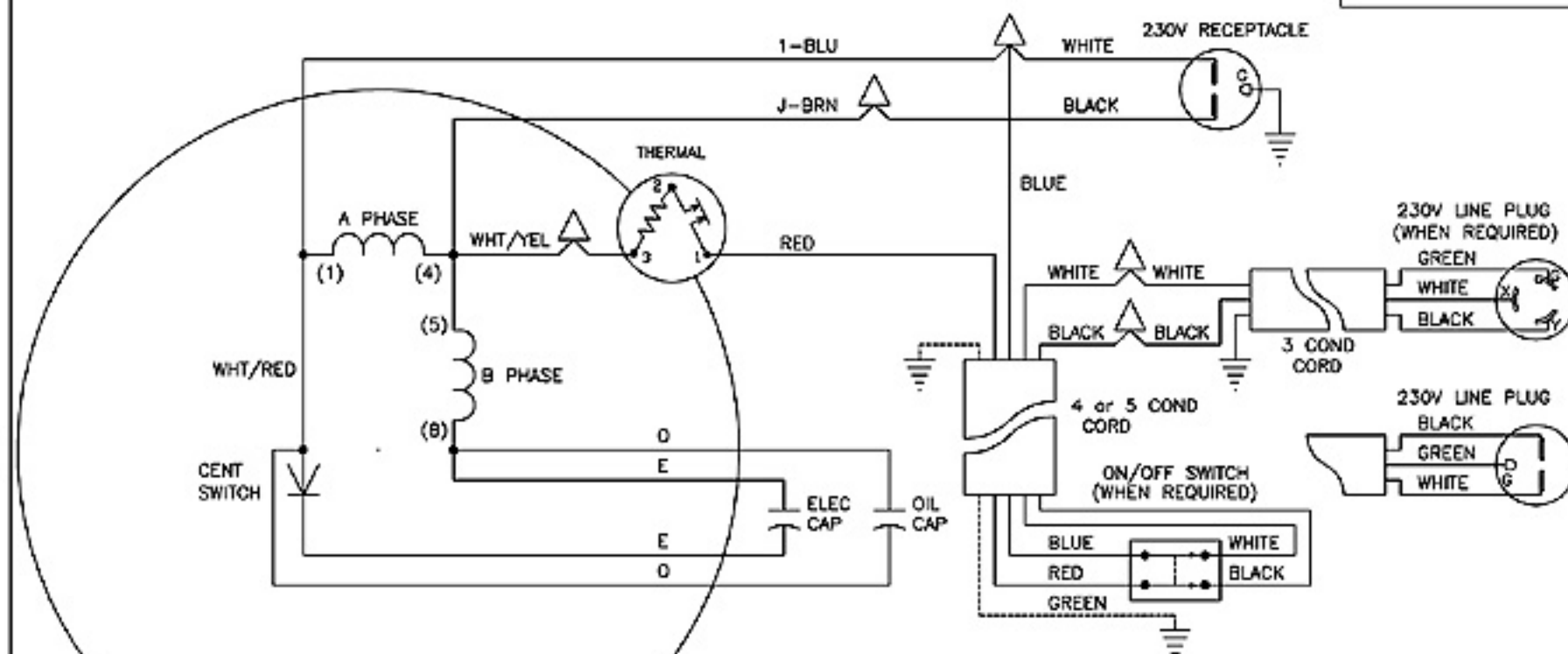
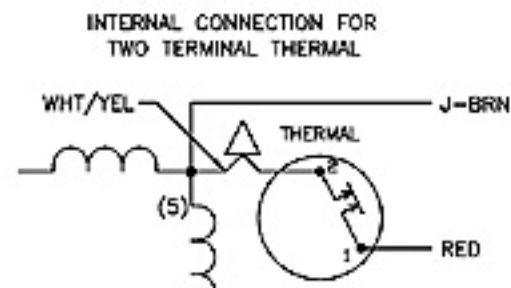


CD0336A01



NOTES:

1. CONNECTIONS ARE SHOWN FOR CCW ROTATION FACING END OPPOSITE SHAFT EXTENSION (STD). FOR CW ROTATION, INTERCHANGE (5) AND (8) INTERNALLY.
2. MULTIPLE CAPACITORS ARE CONNECTED IN PARALLEL UNLESS OTHERWISE SPECIFIED.
3. LEAD COLORS ARE OPTIONAL. LEADS MUST ALWAYS BE NUMBERED AS SHOWN.



REV. DESC: ADD OPTIONAL COLORS		
REV. LTR: A	VERSION: 01	TDR: 000000372126
10V9E000	FILE: \AAA\00027\577	REVISED: 08:31:56 10/04/2005
	MTL: -	BY: ENJOEPO

BALDOR ELECTRIC Co.

TYPE LC, SV, FIX, THERMAL, CORD&SW, CORD&PLUG, 230V RECEPT

CD0336A01