

MK Diamond Products, Inc.
 1315 Storm Parkway
 Torrance, CA 90509-2803

SPECIFICATION SHEET			Date 9/3/19
MK Part Number 172774	MK Description MTR, 5HP 208-230/460V 1PH 3515RPM WEG 00536ES1E184TC-W22	Revision -	
Manufacturer/Supplier P/N 00536ES1E184TC-W22	Manufacturer/Vendor Description W22 5HP 2P 182/4TC 1Ph 208-230/460V 60 Hz IC411 - TEFC - Foot-mounted		
Manufacturer Information WEG INDUSTRIES JARAGUA DO SUL, BRAZIL	Supplier Information HILL HOUSE PRODUCTS SAN CLEMENTE, CA	Alternate Manufacturer	

Specifications:

DATA SHEET

Single Phase Induction Motor - Squirrel Cage



Customer	:		
Product line	: W22 Single-Phase	Product code :	14105090
		Catalog # :	00536ES1E184TC-W22
Frame	: 182/4TC	Locked rotor time	: 12s (cold) 7s (hot)
Output	: 5 HP (3.7 kW)	Temperature rise	: 80 K
Poles	: 2	Duty cycle	: Cont.(S1)
Frequency	: 60 Hz	Ambient temperature	: -20°C to +40°C
Rated voltage	: 208-230/460 V	Altitude	: 1000 m.a.s.l.
Rated current	: 20.5-19.0/9.50 A	Protection degree	: IP55
L. R. Amperes	: 146-135/67.5 A	Cooling method	: IC411 - TEFC
LRC	: 7.1x(Code G)	Mounting	: F-1
No load current	: 3.36-3.90/1.95 A	Rotation*	: Both (CW and CCW)
Rated speed	: 3515 rpm	Noise level*	: 72.0 dB(A)
Slip	: 2.36 %	Starting method	: Direct On Line
Rated torque	: 1.02 kgfm	Approx. weight*	: 49.8 kg
Locked rotor torque	: 280 %		
Breakdown torque	: 250 %		
Insulation class	: F		
Service factor	: 1.15		
Moment of inertia (J)	: 0.0091 kgm ²		
Output	25% 50% 75% 100%	Foundation loads	
Efficiency (%)	78.4 80.0 84.0 85.5	Max. traction	: 28 kgf
Power Factor	0.74 0.96 0.99 0.99	Max. compression	: 78 kgf

Rev	Description	Date	Approved
-	INITIAL RELEASE, ECO# 2457	9/3/19	SSH

DATA SHEET



Single Phase Induction Motor - Squirrel Cage

Customer :				
Product line : W22 Single-Phase		Product code : 14105090		
		Catalog # : 00538ES1E184TC-W22		
Frame	: 182/4TC	Locked rotor time	: 12s (cold) 7s (hot)	
Output	: 5 HP (3.7 kW)	Temperature rise	: 80 K	
Poles	: 2	Duty cycle	: Cont.(S1)	
Frequency	: 60 Hz	Ambient temperature	: -20°C to +40°C	
Rated voltage	: 208-230/480 V	Altitude	: 1000 m.a.s.l.	
Rated current	: 20.5-19.0/9.50 A	Protection degree	: IP55	
L. R. Amperes	: 146-135/67.5 A	Cooling method	: IC411 - TEFC	
LRC	: 7.1x(Code G)	Mounting	: F-1	
No load current	: 3.36-3.90/1.95 A	Rotation*	: Both (CW and CCW)	
Rated speed	: 3515 rpm	Noise level*	: 72.0 dB(A)	
Slip	: 2.36 %	Starting method	: Direct On Line	
Rated torque	: 1.02 kgfm	Approx. weight*	: 49.8 kg	
Locked rotor torque	: 280 %			
Breakdown torque	: 250 %			
Insulation class	: F			
Service factor	: 1.15			
Moment of inertia (J)	: 0.0091 kgm ²			
Output	25%	50%	75%	100%
Efficiency (%)	78.4	80.0	84.0	85.5
Power Factor	0.74	0.96	0.99	0.99
Foundation loads				
Max. traction		: 28 kgf		
Max. compression		: 78 kgf		
Bearing type	:	<u>Drive end</u>	<u>Non drive end</u>	
Sealing	:	6207 ZZ	6206 ZZ	
Lubrication interval	:	VRing	VRing	
Lubricant amount	:	-	-	
Lubricant type	:	Mobil Polyrex EM		
Notes				
This revision replaces and cancel the previous one, which must be eliminated. (1) Looking the motor from the shaft end. (2) Measured at 1m and with tolerance of +3dB(A). (3) Approximate weight subject to changes after manufacturing process. (4) At 100% of full load.				
These are average values based on tests with sinusoidal power supply, subject to the tolerances stipulated in NEMA MG-1.				
Rev.	Changes Summary		Performed	Checked
Performed by			Page	Revision
Checked by			1 / 2	
Date	03/09/2019			

LOAD PERFORMANCE CURVE

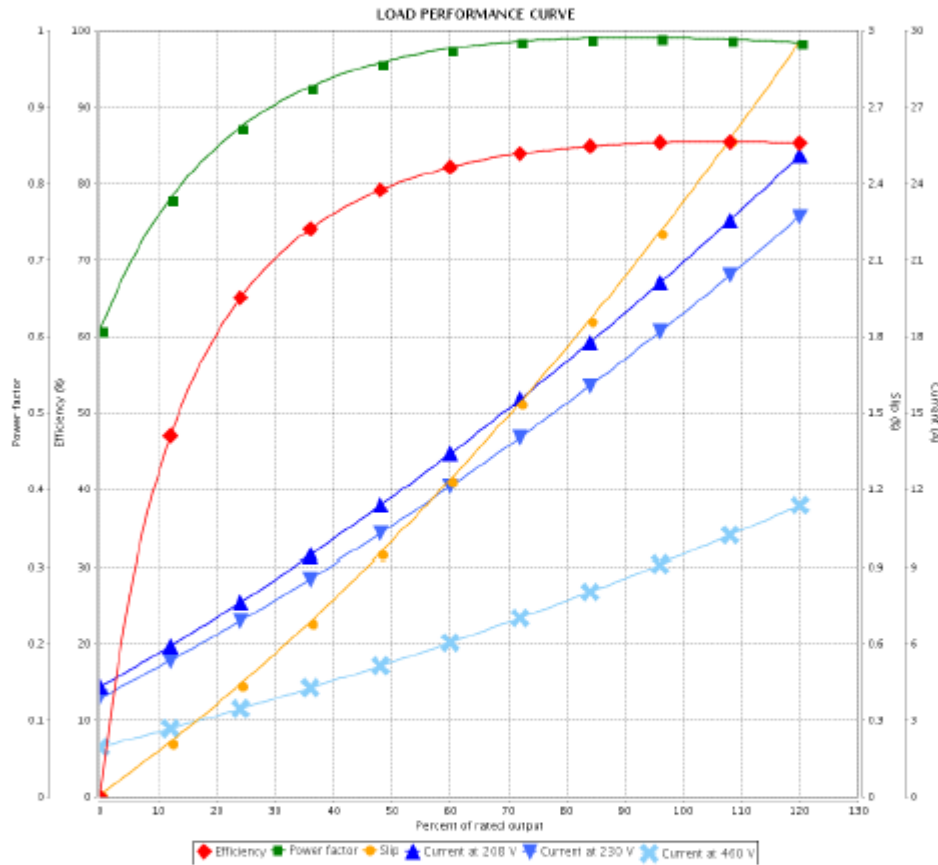
Single Phase Induction Motor - Squirrel Cage



Customer : _____

Product line : W22 Single-Phase

Product code : 14105090
Catalog # : 00536ES1E184TC-W22



Performance : 208-230/460 V 60 Hz 2P

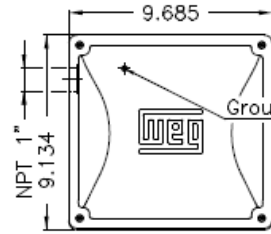
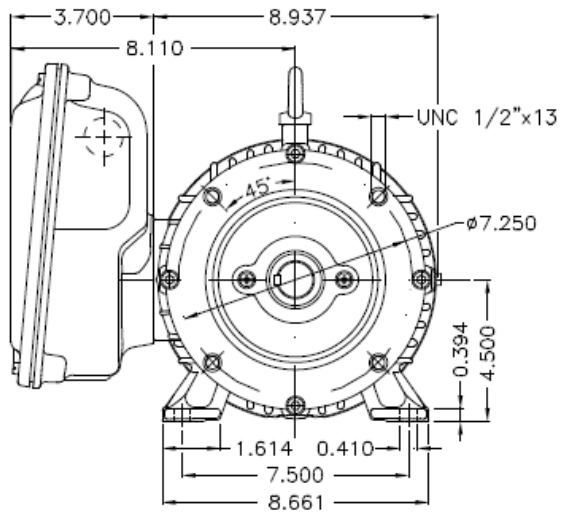
Rated current : 20.5-19.0/9.50 A
LRC : 7.1
Rated torque : 1.02 kgfm
Locked rotor torque : 280 %
Breakdown torque : 250 %
Rated speed : 3515 rpm

Moment of inertia (J) : 0.0091 kgm²
Duty cycle : Cont.(S1)
Insulation class : F
Service factor :
Temperature rise : 80 K

Rev.	Changes Summary	Performed	Checked	Date
Performed by			Page	Revision
Checked by				
Date				

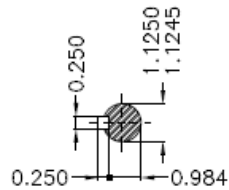
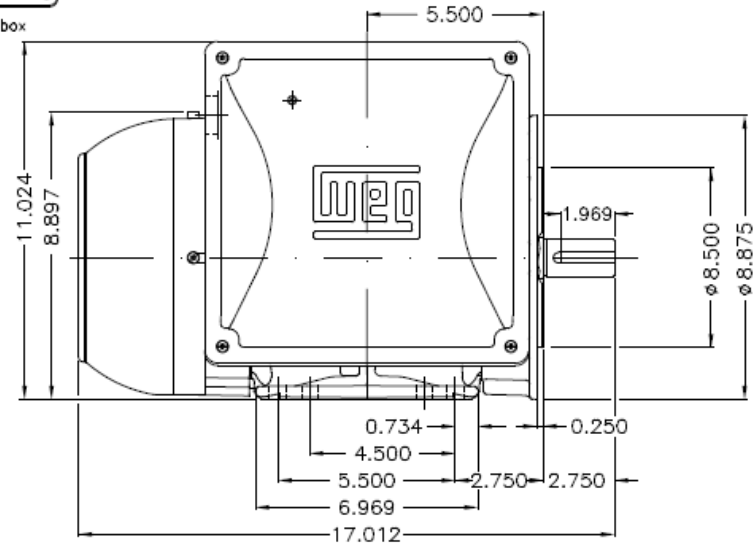
This document is exclusive property of WEG S/A. Reprinting is not allowed without written authorization of WEG S/A. Subject to change without notice.

THIS IS AN UPDATED REVISION, THE PREVIOUS ONE MUST BE DISREGARDED.



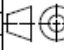
Grounding for leads 2-10 mm² / 14-7 AWG

Main terminal box



DE Shaft End

Bearing cap
Mounting B34R(D)

ECM	LOC	SUMMARY OF MODIFICATIONS	EXECUTED	CHECKED	RELEASED	DATE	VER
EXECUTED	USIRADMIN	 SINGLE PHASE MOTOR W22 NEMA FRAME 1824TC IP55 TEFC WEG code: 14105090					
CHECKED							
RELEASED							
REL DT	03.08.2019	WMO	Joaquim do Sul	Product Engineering	SHEET	1 / 1	



5 HP 02 Poles 60Hz