

BALDOR® • RELIANCE

Product Information Packet

MK DIAMOND PRODUCTS

0104428563 (PO# P426596-00)

37M293T233G1

10HP,1425RPM,1PH,50HZ,215T,3756LC,TEFC,F

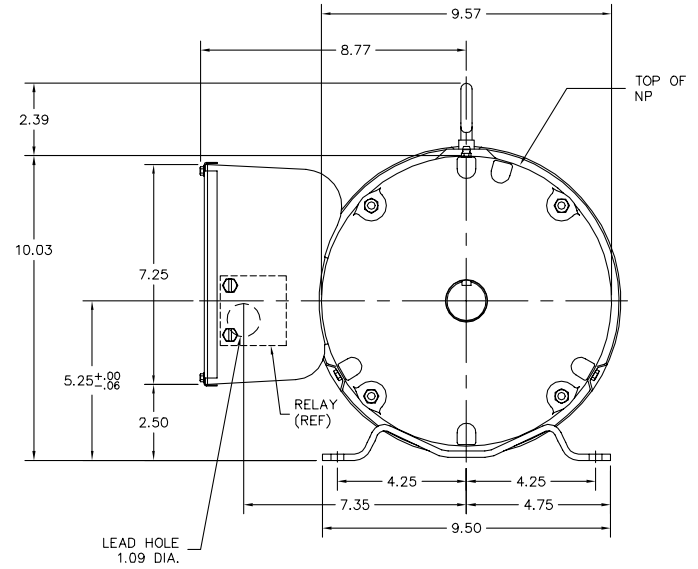
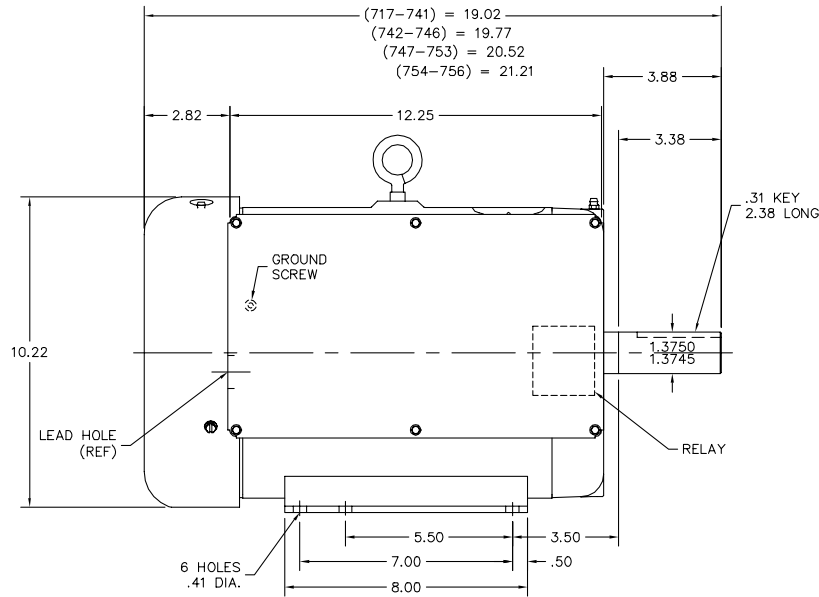
Part Detail							
Revision:	A	Status:	INA/A	Change #:		Proprietary:	Yes
Type:	AC	Prod. Type:	3756LC	Elec. Spec:	37WGT233	CD Diagram:	
Enclosure:	TEFC	Mfg Plant:		Mech. Spec:	37M293	Layout:	
Frame:	215T	Mounting:	F1	Poles:	04	Created Date:	07-10-2012
Base:	RG	Rotation:	R	Insulation:	F	Eff. Date:	06-25-2013
Leads:	2#8 A PH,2#14 B PH	Literature:		Elec. Diagram:		Replaced By:	

Nameplate NP1256L									
CAT.NO.	170400								
SPEC.	37M293T233G1								
HP	10								
VOLTS	230								
AMP	42								
RPM	1425								
FRAME	215T	HZ	50	PH	1				
SER.F.	1.15	CODE	E	DES	L	CLASS	F		
NEMA-NOM-EFF	80	PF	93						
RATING	40C AMB-CONT								
CC	USABLE AT 208V								
DE	6307	ODE	6206						
ENCL	TEFC	SN							

Parts List		
Part Number	Description	Quantity
SA247637	SA 37M293T233G1	1.000 EA
RA234505	RA 37M293T233G1	1.000 EA
OC3050F09SP	CYL OIL CAP 50MFD/370V	2.000 EA
RE5029	MARS 91423 DOUBLE POLE 230-240V CONTACTO	1.000 EA
EC1216C06SP	ELEC CAP, 216-259 MFD, 250V, 2.06D X 4.	4.000 EA
HW3200A01	3/8-16X3/4 I-BLT WELDED F/S	1.000 EA
37EP3101A01SP	FR ENDPLATE,TEFC, 37 L&M, W/GREASER	1.000 EA
HW4500A01	1641B(ALEMITE)400 UNIV, GREASE FITT	1.000 EA
13XT0832A07	8-32X7/16 TYP 23 PAN HD SLT DX	2.000 EA
37CB3804A42	CAPAC. BOX 37 MOTORS FOR 6-7 CAPAC. W/RE	1.000 EA
37GS3015	GASKET, CAPAC BOX	1.000 EA
51XW2520A12	.25-20 X .75, TAPTITE II, HEX WSHR SLTD	4.000 EA
11XW1032G06	10-32 X .38, TAPTITE II, HEX WSHR SLTD U	1.000 EA
HW3001B01	003SS CUP WASHER, FOR #8 SCREW	1.000 EA
HA6003A47	CAPAC CLAMP	1.000 EA
HA6003A45	CAPAC CLAMP - CLIP (WHITE ZINC PLATED)	2.000 EA
51XB1016A07	10-16 X 7/16 HXWSSLD SERTYB	4.000 EA
51XF2520A08	SCREW, HEX SER SLT HD, ZN 1/4-20 X .50 L	2.000 EA
HW5100A06	W2420-025 WVY WSHR (WB)	1.000 EA
37EP3100A01SP	STD PU ENDPLATE, ENCL,37 "T"-307 BRG, W/	1.000 EA
HW4500A01	1641B(ALEMITE)400 UNIV, GREASE FITT	1.000 EA
XY3118A12	5/16-18 HEX NUT DIRECTIONAL SERRATION	4.000 EA
51XB1214A20	12-14X1.25 HXWSSLD SERTYB	1.000 EA
07FH4007A06	IEC FH W/GRS, NOT @6, 3 F/C HOL & NOT FO	1.000 EA

Parts List (continued)		
Part Number	Description	Quantity
51XW1032A06	10-32 X .38, TAPTITE II, HEX WSHR SLTD S	3.000 EA
37CB4509	CAPAC BOX LID, STAMPED	1.000 EA
37GS3016	GASKET, CAPAC BOX LID	1.000 EA
51XW0832A07	8-32 X .44, TAPTITE II, HEX WSHR SLTD SE	6.000 EA
85XU0407S04	4X1/4 U DRIVE PIN STAINLESS	2.000 EA
HW2501F21	KEY, 5/16 SQ X 2.375	1.000 EA
HA7000A02	KEY RETAINER RING, 1 1/8 DIA, 1 3/8 DIA	1.000 EA
LB1115	LABEL,LIFTING DEVICE	1.000 EA
WD1000A15	3-520132-2 AMP FLAG (4M/RL NON-CANC/NON-	8.000 EA
MJ1000A75	GREASE, POLYREX EM EXXON	0.050 LB
37FN3002A01SP	EXFN, PLASTIC, 9.00 OD, 1.155 ID	1.000 EA
MG1000G27	1 GALLON - PAINT- S9282E CHARCOAL GREY	0.028 GA
HA3104A31	THRUBOLT .31-18 X 15.875	4.000 EA
SP5172A06	37 TYPE L TORQ STAT SWITCH LEAD ASSEMBLY	1.000 EA
NS2539	INSULATOR FOR 37 FRAMESWITCH (MH1011A10)	1.000 EA
LB1119	WARNING LABEL	1.000 EA
LB1172A01	CUSTOM MTR CARTON LABEL LASER PRINTER	1.000 EA
LC0017	CONN LABEL-1 PHASE-SINGLE VOLT-REV ROTNO	1.000 EA
NP1256L	ALUM UL CSA CC	1.000 EA
37PA1052	PALLET PACK GRP, 150 LB MTR 2 X 4 RUNNER	1.000 EA

37LYM293



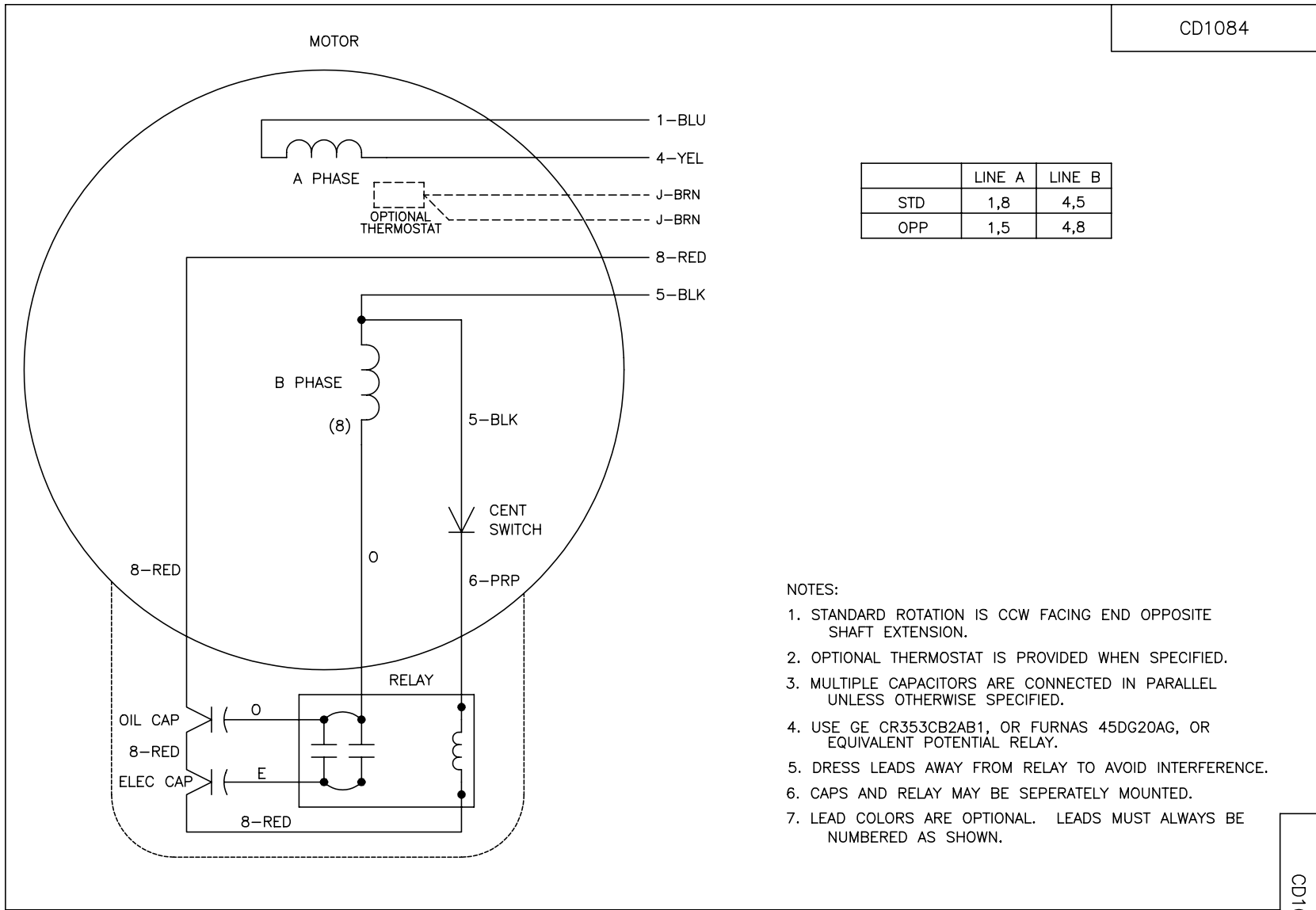
37LYM293

CUSTOMER IS RESPONSIBLE FOR DETERMINING THAT BALDOR'S PRODUCT WILL PERFORM SUITABLY IN THE INTENDED APPLICATION.

REV. DESC: NEW	VERSION: 00	TDR: 000000523997
REV. LTR: -	REVISED: 10:09:18 01/07/2010	BY: ENJOSRO
FILE: \AAA\00168\658		
MTL: -		

BALDOR • DODGE • RELIANCE
 HOR 213-5T TEFC LC 37CB3804,RELAY,FINNED ENDRING,TORQ SWITCH
 SH 1 of 1

CD1084



	LINE A	LINE B
STD	1,8	4,5
OPP	1,5	4,8

NOTES:

1. STANDARD ROTATION IS CCW FACING END OPPOSITE SHAFT EXTENSION.
2. OPTIONAL THERMOSTAT IS PROVIDED WHEN SPECIFIED.
3. MULTIPLE CAPACITORS ARE CONNECTED IN PARALLEL UNLESS OTHERWISE SPECIFIED.
4. USE GE CR353CB2AB1, OR FURNAS 45DG20AG, OR EQUIVALENT POTENTIAL RELAY.
5. DRESS LEADS AWAY FROM RELAY TO AVOID INTERFERENCE.
6. CAPS AND RELAY MAY BE SEPERATELY MOUNTED.
7. LEAD COLORS ARE OPTIONAL. LEADS MUST ALWAYS BE NUMBERED AS SHOWN.

CD1084

REV. DESC: REVISE TO SHOW OPTIONAL COLORS			
REV. LTR: C	BY: EAH	REVISED: 08/11/99 10:33	TDR: 0187794
48010C		FILE: AAA00029485	MDL: -
		MTL: -	

BALDOR ELECTRIC Co.

TYPE LC, SV, REV, 4LD, RELAY W/CENT SW, ON/OFF SW