

MK Diamond Products, Inc.
 1315 Storm Parkway
 Torrance, CA 90509-2803

SPECIFICATION SHEET			Date 12/20/11
MK Part Number 169745	MK Description MTR, MR48, 115V 60HZ, SOGA		Revision A
Manufacturer P/N 157067	Manufacturer Description MR48 FLAT MOTOR		
Manufacturer Information SOGA S.P.A. MAGGIORE, ITALY	Vendor Information SOGA S.P.A. MAGGIORE, ITALY	Alternate Manufacturer NONE	

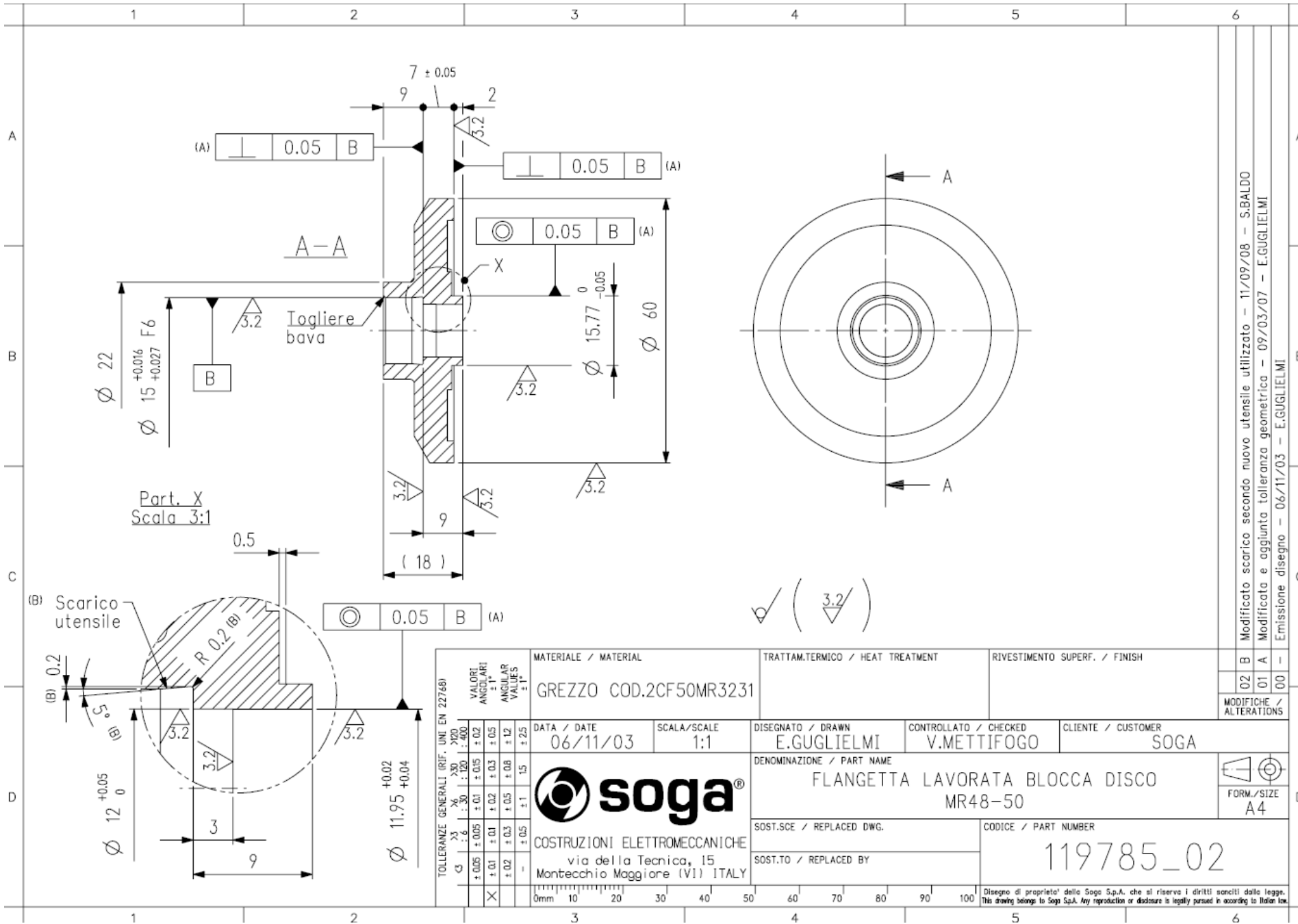
Specifications:

MODEL CODE: 157067
 TYPE: MR48
 RATING: 115V, 60Hz, 1 Phase, 0.3kW, 4.4A, 3300RPM
 5/8" ARBOR FLANGE SET INCLUDED
 INNER FLANGE IS SOGA P/N 119785 (SEE PAGE 2)
 CAPACITOR: 60µF INCLUDED



Replacement Capacitor 160525 CAPACITOR, 1-1/2HP SOGA,115V

Rev	Description	Date	Approved
-	INITIAL RELEASE, ECO#1951	12/20/11	RMR
A	ARBOR WAS 1.000", ECO# 2041	02/20/13	SMH



Part. X
Scala 3:1

Scario
utensile

TOLLERANZE GENERALI (REF. UNI EN 22768)		VALORI ANGOLARI ± 1°		ANGOLAR VALUES ± 1°	
0.1	0.005	0.1	0.005	0.1	0.005
0.2	0.01	0.2	0.01	0.2	0.01
0.3	0.015	0.3	0.015	0.3	0.015
0.5	0.02	0.5	0.02	0.5	0.02
0.7	0.025	0.7	0.025	0.7	0.025
1	0.03	1	0.03	1	0.03
1.5	0.04	1.5	0.04	1.5	0.04
2	0.05	2	0.05	2	0.05
3	0.06	3	0.06	3	0.06
4	0.08	4	0.08	4	0.08
5	0.1	5	0.1	5	0.1
6	0.12	6	0.12	6	0.12
8	0.15	8	0.15	8	0.15
10	0.2	10	0.2	10	0.2
15	0.25	15	0.25	15	0.25
20	0.3	20	0.3	20	0.3
30	0.4	30	0.4	30	0.4
40	0.5	40	0.5	40	0.5
50	0.6	50	0.6	50	0.6
63	0.8	63	0.8	63	0.8
80	1	80	1	80	1
100	1.2	100	1.2	100	1.2
125	1.5	125	1.5	125	1.5
160	2	160	2	160	2
200	2.5	200	2.5	200	2.5
250	3	250	3	250	3
315	4	315	4	315	4
400	5	400	5	400	5
500	6	500	6	500	6
630	8	630	8	630	8
800	10	800	10	800	10
1000	12	1000	12	1000	12

soga
 COSTRUZIONI ELETTROMECCANICHE
 via della Tecnica, 15
 Montecchio Maggiore (VI) ITALY

MATERIALE / MATERIAL GREZZO COD.2CF50MR3231		TRATTAM.TERMICO / HEAT TREATMENT		RIVESTIMENTO SUPERF. / FINISH	
DATA / DATE 06/11/03	SCALA / SCALE 1:1	DISEGNATO / DRAWN E.GUGLIELMI	CONTROLLATO / CHECKED V.METTIFOGO	CLIENTE / CUSTOMER SOGA	
DENOMINAZIONE / PART NAME FLANGETTA LAVORATA BLOCCA DISCO MR48-50			FORM./SIZE A4		
SOST.SCE / REPLACED DWG.			CODICE / PART NUMBER 119785_02		
SOST.TO / REPLACED BY					

Modificato secondo nuovo utensile utilizzato - 11/09/08 - S.BALDO
 Modificato e aggiunta tolleranza geometrica - 09/03/07 - E.GUGLIELMI
 Emissione disegno - 06/11/03 - E.GUGLIELMI

Disegno di proprietà della Soga S.p.A. che si riserva i diritti sanciti dalla legge.
 The drawing belongs to Soga S.p.A. Any reproduction or disclosure is legally pursued in accordance with Italian law.