

MK Diamond Products, Inc.
 1315 Storm Parkway
 Torrance, CA 90509-2803

SPECIFICATION SHEET		Date 06/01/07																																																			
MK Part Number 165675	MK Description MTR, 10HP 230V 60HZ 1PH	Revision -																																																			
Manufacturer P/N L3712T	Manufacturer Description 10HP,1725RPM,1PH,60HZ,215T,3750LC,TEFC																																																				
Manufacturer/Vendor Information Baldor Fort Smith, AR		Alternate Manufacturer None																																																			
Specifications: <h2 style="margin: 0;">Specifications: L3712T</h2> <table border="1" style="width: 100%; border-collapse: collapse; margin-top: 10px;"> <tbody> <tr><td>Catalog Number:</td><td>L3712T</td></tr> <tr><td>Specification Number:</td><td>37K231T875</td></tr> <tr><td>Horsepower:</td><td>10</td></tr> <tr><td>Voltage:</td><td>230</td></tr> <tr><td>Hertz:</td><td>60</td></tr> <tr><td>Phase:</td><td>1</td></tr> <tr><td>Full Load Amps:</td><td>38</td></tr> <tr><td>Usable at 208 Volts:</td><td>N/A</td></tr> <tr><td>RPM:</td><td>1740</td></tr> <tr><td>Frame Size:</td><td>215T</td></tr> <tr><td>Service Factor:</td><td>1.00</td></tr> <tr><td>Rating:</td><td>40C AMB-CONT</td></tr> <tr><td>Locked Rotor Code:</td><td>F</td></tr> <tr><td>NEMA Design Code:</td><td>L</td></tr> <tr><td>Insulation Class:</td><td>F</td></tr> <tr><td>Full Load Efficiency:</td><td>86.5</td></tr> <tr><td>Power Factor:</td><td>98</td></tr> <tr><td>Enclosure:</td><td>TEFC</td></tr> <tr><td>Baldor Type:</td><td>3748LC</td></tr> <tr><td>DE Bearing:</td><td>6307</td></tr> <tr><td>ODE Bearing:</td><td>6206</td></tr> <tr><td>Electrical Specification Number:</td><td>37WGT875</td></tr> <tr><td>Mechanical Specification Number:</td><td>37K231</td></tr> <tr><td>Base:</td><td>RG</td></tr> <tr><td>Mounting:</td><td>F1</td></tr> </tbody> </table>				Catalog Number:	L3712T	Specification Number:	37K231T875	Horsepower:	10	Voltage:	230	Hertz:	60	Phase:	1	Full Load Amps:	38	Usable at 208 Volts:	N/A	RPM:	1740	Frame Size:	215T	Service Factor:	1.00	Rating:	40C AMB-CONT	Locked Rotor Code:	F	NEMA Design Code:	L	Insulation Class:	F	Full Load Efficiency:	86.5	Power Factor:	98	Enclosure:	TEFC	Baldor Type:	3748LC	DE Bearing:	6307	ODE Bearing:	6206	Electrical Specification Number:	37WGT875	Mechanical Specification Number:	37K231	Base:	RG	Mounting:	F1
Catalog Number:	L3712T																																																				
Specification Number:	37K231T875																																																				
Horsepower:	10																																																				
Voltage:	230																																																				
Hertz:	60																																																				
Phase:	1																																																				
Full Load Amps:	38																																																				
Usable at 208 Volts:	N/A																																																				
RPM:	1740																																																				
Frame Size:	215T																																																				
Service Factor:	1.00																																																				
Rating:	40C AMB-CONT																																																				
Locked Rotor Code:	F																																																				
NEMA Design Code:	L																																																				
Insulation Class:	F																																																				
Full Load Efficiency:	86.5																																																				
Power Factor:	98																																																				
Enclosure:	TEFC																																																				
Baldor Type:	3748LC																																																				
DE Bearing:	6307																																																				
ODE Bearing:	6206																																																				
Electrical Specification Number:	37WGT875																																																				
Mechanical Specification Number:	37K231																																																				
Base:	RG																																																				
Mounting:	F1																																																				
Rev	Description	Date	Approved																																																		
-	Initial Release, ECO#1335	06/01/07	JRJ																																																		

BALDOR® • RELIANCE

Product Information Packet

L3712T

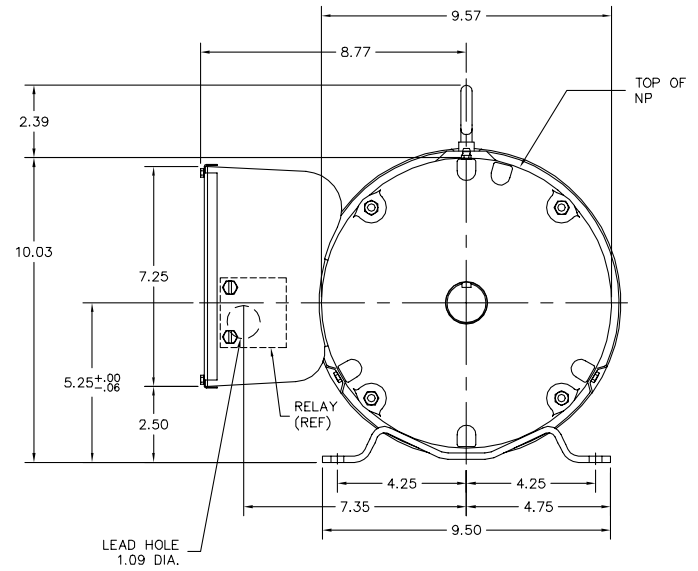
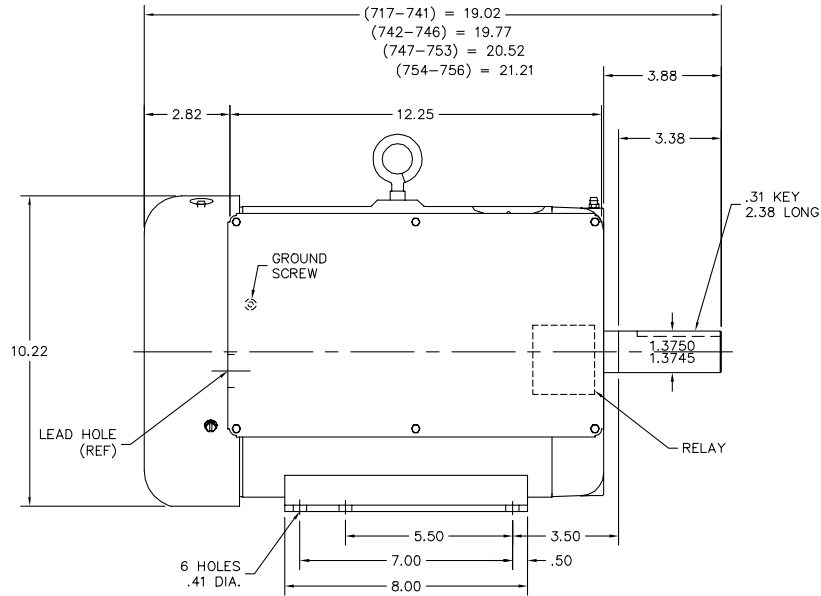
10HP,1740RPM,1PH,60HZ,213T,3748LC,TEFC,F

Product Detail							
Revision:	D	Status:	PRD/A	Change #:		Proprietary:	No
Type:	AC	Prod Type:	3748LC	Elec. Spec:	37WGT875	CD Diagram:	CD1084
Enclosure	TEFC	Mfg Plant:		Mech Spec:	37K231	Layout:	37LYK231
Frame:	215T	Mounting:	F1	Poles:	04	Created Date:	05-11-2006
Base:	RG	Rotation:	R	Insulation:	F	Eff. Date:	08-12-2008
Leads:	2#10,2#14	Literature:		Elec. Diagram:		Replaced By:	
Nameplate NP1256L							
CAT.NO.	L3712T						
SPEC.	37K231T875						
HP	10						
VOLTS	230						
AMP	38						
RPM	1740						
FRAME	215T	HZ	60	PH	1		
SER.F.	1.00	CODE	F	DES	L	CLASS	F
NEMA-NOM-EFF	86.5	PF	98				
RATING	40C AMB-CONT						
CC		USABLE AT 208V					
DE	6307	ODE	6206				
ENCL	TEFC	SN					

Parts List			
Product ID	Description	Quantity	List Price
SA143292	SA 37K231T875	1.000	954.00
RA132539	RA 37K231T875	1.000	795.00
OC3050F09SP	CYL OIL CAP 50MFD/370V	2.000	38.00
RE5029	MARS 91423 DOUBLE POLE 230-240V CONTACTO	1.000	125.00
EC1216C06SP	ELEC CAP, 216-259 MFD, 250V, 2.06D X 4.	4.000	42.00
37FN3002A01SP		1.000	27.00
HW3200A01	3/8-16X3/4 I-BLT WELDED F/S	1.000	3.00
37EP3101A01SP	FR ENDPLATE,TEFC, 37 L&M, W/GREASER	1.000	119.00
HW4500A01	1641B(ALEMITE)400 UNIV, GREASE FITT	1.000	2.00
NS2539	INSULATOR FOR 36-37 FRAMESWITCH (MH1011A	1.000	2.00
13XT0832A07	8-32X7/16 TYP 23 PAN HD SLT DX	2.000	2.00
37CB3804A42	CAPAC. BOX 37 MOTORS FOR 6-7 CAPAC. W/RE	1.000	45.00
37GS3015	GASKET, CAPAC BOX	1.000	2.00
51XW2520A12	.25-20 X .75, TAPTITE II, HEX WSHR SLTD	4.000	2.00
11XW1032G06	10-32 X .38, TAPTITE II, HEX WSHR SLTD U	1.000	2.00
HW3001A01	D3019 BRASS WASHER(STIMP)	1.000	2.00
HA6003A47	CAPAC CLAMP	1.000	3.00
HA6003A45	CAPAC CLAMP - CLIP (WHITE ZINC PLATED)	2.000	3.00
51XB1016A07	10-16 X 7/16 HXWSSLD SERTYB	4.000	2.00
51XF2520A08	SCREW, HEX SER SLT HD, ZN 1/4-20 X .50 L	2.000	2.00
HW5100A06	W2420-025 WVY WSHR (WB)	1.000	2.00
37EP3100A01SP	STD PU ENDPLATE, ENCL,37 "T"-307 BRG, W/	1.000	102.00
HW4500A01	1641B(ALEMITE)400 UNIV, GREASE FITT	1.000	2.00
XY3118A12	5/16-18 HEX NUT DIRECTIONAL SERRATION	4.000	2.00

Parts List (continued)			
Product ID	Description	Quantity	List Price
51XB1214A20	12-14X1.25 HXWSSLD SERTYB	1.000	2.00
07FH4007A06	IEC FH W/GRS, NOT @6, 3 F/C HOL & NOT FO	1.000	15.00
51XW1032A06	10-32 X .38, TAPTITE II, HEX WSHR SLTD S	3.000	3.00
37CB4509	CAPAC BOX LID, STAMPED	1.000	16.00
37GS3016	GASKET, CAPAC BOX LID	1.000	8.00
51XW0832A07	8-32 X .44, TAPTITE II, HEX WSHR SLTD SE	6.000	2.00
10XF0440S02	04-40 X 1/8 TYPE F HEX HD STAINLESS STIC	2.000	2.00
HW2501F21	KEY, 5/16 SQ X 2.375	1.000	4.00
HA7000A02	KEY RETAINER RING, 1 1/8 DIA, 1 3/8 DIA	1.000	2.00
LB1115	LABEL,LIFTING DEVICE (ON ROLLS0	1.000	2.00
MJ1000A02	GREASE, POLYREX EM EXXON	0.050	10.00
MG1000G27	PAINT- S9282E CHARCOAL GREY	0.028	4,000.00
WD1000A15	3-520132-2 AMP FLAG (4M/RL NON-CANC/NON-	12.000	2.00
HA3104A25	THRUBOLT .31-18 X 14.75	4.000	2.00
SP5064A65	MODEL 37 TYPE L,SHOE BOX,RELAY	1.000	32.00
LB1119	WARNING LABEL	1.000	2.00
LB1125C01	STD (STOCK) CARTON LABEL BALDOR WITH FLA	1.000	2.00
LC0017	CONN LABEL-1 PHASE-SINGLE VOLT-REV ROTNO	1.000	2.00
NP1256L	NP STD LASER ENGRAVED, UL CSA CC, W/O TH	1.000	3.00
37PA1052	PACKAGING GROUP, 150 LB MTR 2 X 4 RUNNER	1.000	48.00

37LYK231



CUSTOMER IS RESPONSIBLE FOR DETERMINING THAT MOTOR PERFORMANCE IS SUITABLE IN THE APPLICATION.

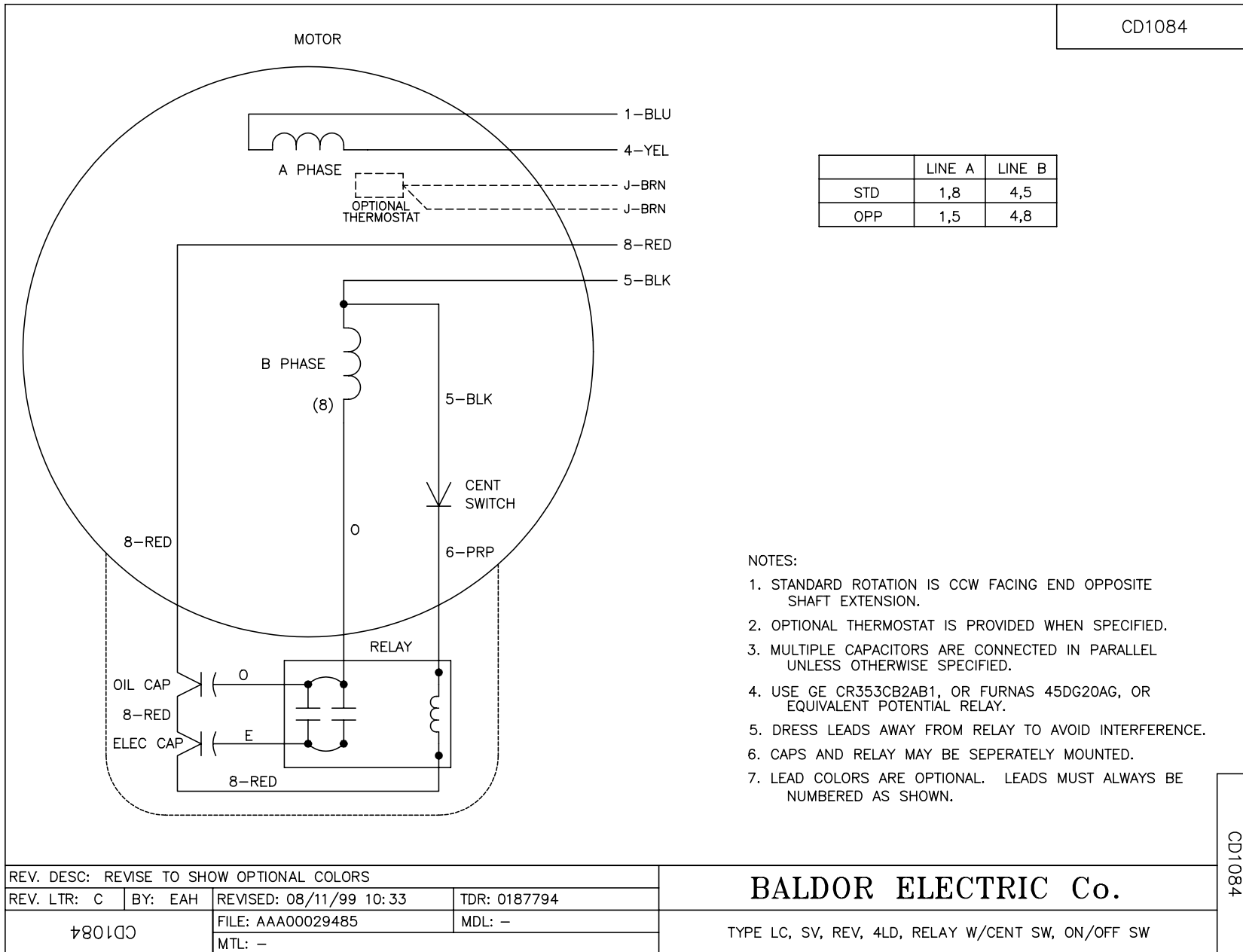
REV. DESC: ADD "C" LENGTH SHAFT DRAWING		
REV. LTR: A	VERSION: 01	TDR: 000000403420
FILE: \AAA\00136\547	REVISED: 08:17:17 08/21/2006	BY: ENJASF0
MTL: -		

BALDOR ELECTRIC Co.

HOR 213-5T TEFC 37LC LARGE LC BOX,RELAY,SPL SHOVE,NO INT FAN

37LYK231

CD1084



	LINE A	LINE B
STD	1,8	4,5
OPP	1,5	4,8

NOTES:

1. STANDARD ROTATION IS CCW FACING END OPPOSITE SHAFT EXTENSION.
2. OPTIONAL THERMOSTAT IS PROVIDED WHEN SPECIFIED.
3. MULTIPLE CAPACITORS ARE CONNECTED IN PARALLEL UNLESS OTHERWISE SPECIFIED.
4. USE GE CR353CB2AB1, OR FURNAS 45DG20AG, OR EQUIVALENT POTENTIAL RELAY.
5. DRESS LEADS AWAY FROM RELAY TO AVOID INTERFERENCE.
6. CAPS AND RELAY MAY BE SEPERATELY MOUNTED.
7. LEAD COLORS ARE OPTIONAL. LEADS MUST ALWAYS BE NUMBERED AS SHOWN.

REV. DESC: REVISE TO SHOW OPTIONAL COLORS			
REV. LTR: C	BY: EAH	REVISED: 08/11/99 10:33	TDR: 0187794
†801DC		FILE: AAA00029485	MDL: -
		MTL: -	

BALDOR ELECTRIC Co.

TYPE LC, SV, REV, 4LD, RELAY W/CENT SW, ON/OFF SW

CD1084