



MK-170 SERIES

**TILE SAW
OWNER'S MANUAL &
OPERATING INSTRUCTIONS**



CAUTION:
Read all safety and
operating instructions
before using this
equipment

Enter the Serial Number of your new saw in the
space below. The Serial Number is located on the
rear of the Cutting Head.

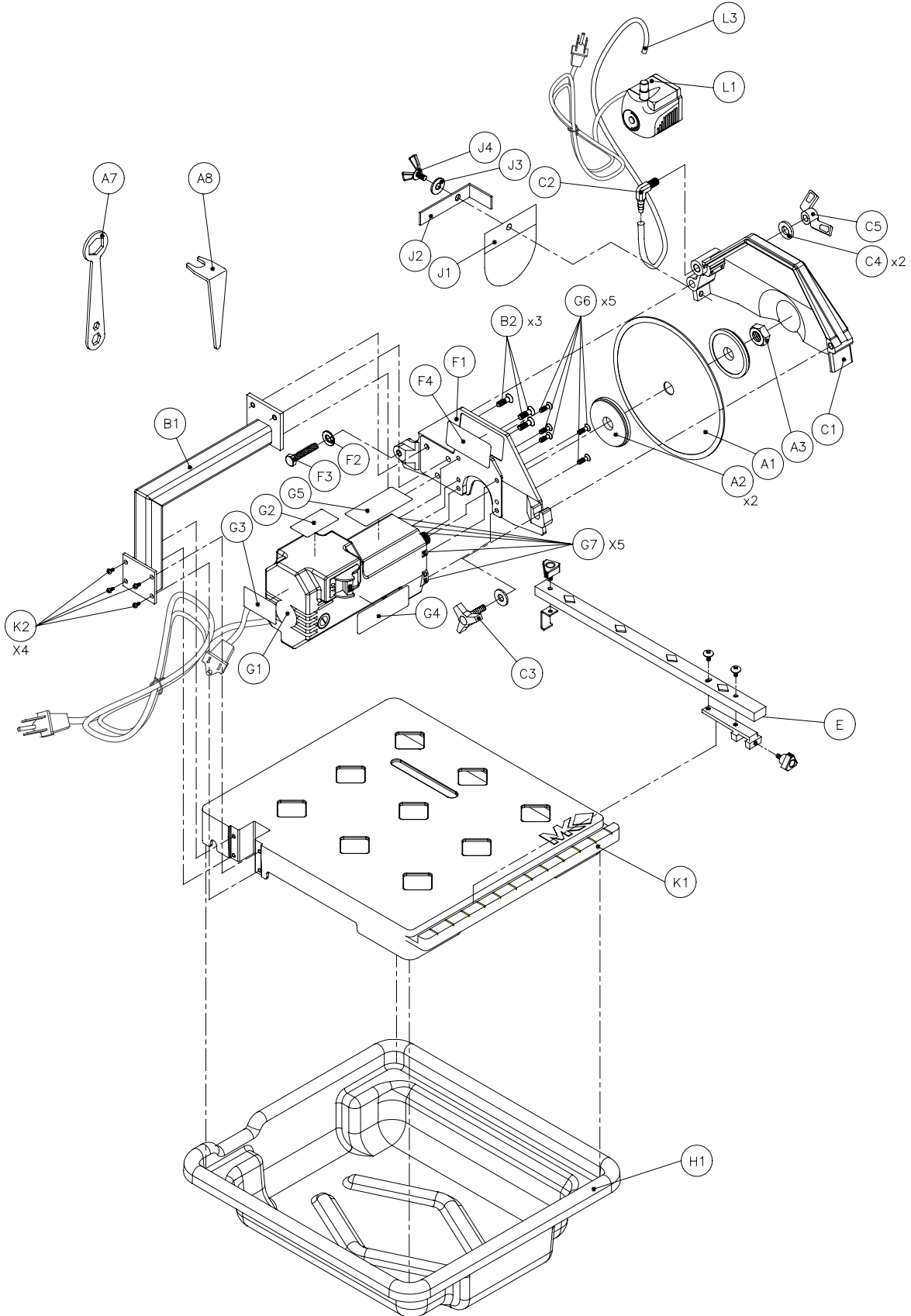
SERIAL NUMBER:

NOTE:

For your (1) one year warranty to be effective,
complete the warranty card (including the Serial
Number and mail it in as soon as possible.

EXPLODED VIEW AND PARTS LIST

EXPLODED VIEW:



EXPLODED VIEW AND PARTS LIST

PARTS LIST:

Item	Description	Qty	Part #
A	Accessories, 170	--	--
A1	Blade, 7 Dia x 5/8 Arbor MK-170	1	153441
A2	Flange, Blade	2	135830
A3	Nut, 5/8-18 UNF	1	135848
A4	Owner's Manual, 170	1	157243
A7	Wrench, Blade Nut, 15/16 Boxed End	1	134684
A8	Wrench, Blade Shaft, 11/16 Open End, 90°	1	157244
B	Arm, Motor Support	--	--
B1	Arm, Motor Support	1	157245
B2	Screw, 1/4-20 x 1/2 Flat Head Phillips Cap	3	155812
C	Assembly, Blade Guard, 7"	1	154811-MK
C1	Guard, 7" Blade	1	154811
C2	Elbow, 1/8 MNPT x 1/4 BARB 90° Brass	1	154652
C3	Knob, Davies	1	151681
C4	Washer, 5/16 SAE Flat	2	151754
C5	Wing nut, 5/16-18 Nylock	1	151746
E	Assembly, Fence, 170	1	157406
E1	Fence, Upper	1	157247
E2	Fence, Lower	1	157248
E3	Screw, 10-24 x 3/8 Pan Head Phillips Machine	2	151097
E4	Knob, 1/4-20 x 3/4 Three Prong	1	157583-2
E5	Knob, 10-32 x 1/2 Three Prong	1	157583-1
E6	Clip, Fence	1	157559
F	Motor Mount	--	--
F1	Motor Mount	1	157403
F2	Washer, 5/16 Split Lock	1	151747
F3	Screw, 5/16-18 x 2 1/2 Hex Head Cap, Full Thread	1	151748
F4	Tag, Serial Number, UL Mark	1	157249-02
G	Motor, 120v/4.7a, 170	--	--
G1	Motor, 120v/4.7a, 170	1	157226
G2	Label, Caution, GFCI, 1 x 2 1/8	1	155678
G3	Label, Caution, Receptacle, 1 x 2 1/8	1	154822
G4	Label, Motor, 170	1	157251
G5	Label, Warning, Read Owner's Manual	1	155806
G6	Screw, M5-.8 x 20mm Flat Head Phillips Machine	5	157404
G7	Nut, M5-.8 Hex	5	157405
H	Pan, Water, 170	--	--
H1	Pan, Water, 170	1	157252
J	Splash Curtain	--	--
J1	Curtain, Splash	1	134841
J2	Bracket, Splash Curtain	1	155901
J3	Washer, 1/4 SAE Flat	1	151915
J4	Wing-screw, 1/4-20 x 1/2	1	151888

EXPLODED VIEW AND PARTS LIST

Item	Description	Qty	Part #
K	Table, 170	--	--
K1	Table, 170	1	157253
K2	Screw, 10-24 x 1/2 Pan Head Phillips Machine	4	151744
L	Water Pump, PES-100 120v	--	--
L1	Pump, Water, PES-100 120v	1	155987
L3	Hose, Vinyl, 1/4 ID	34"	132951
L4	Owner's Manual, Water Pump	1	155745