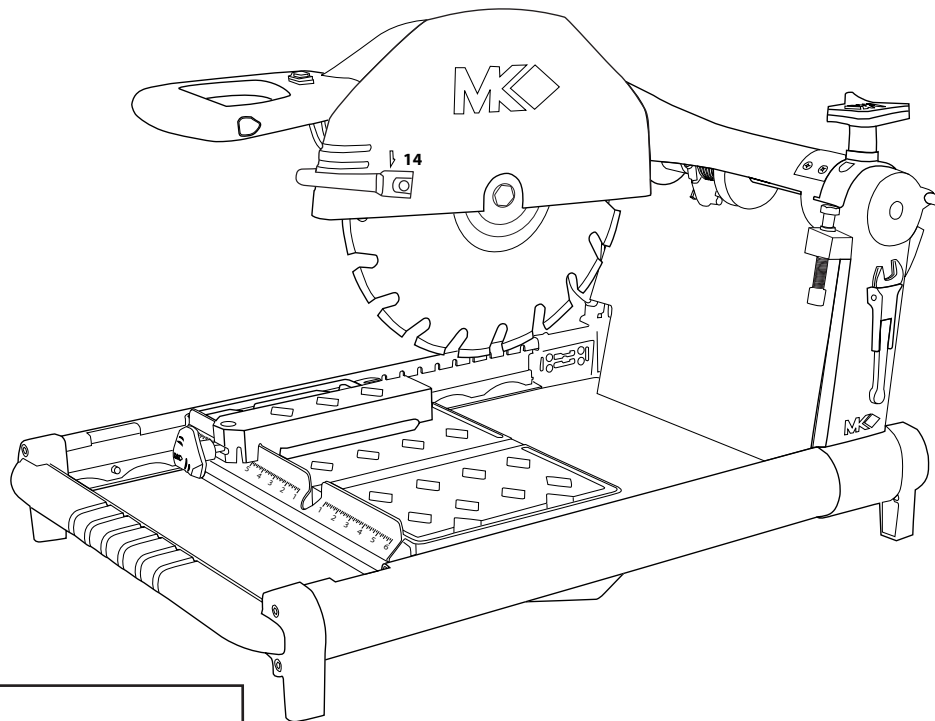




BX-4

BRICK SAW WITH OR WITHOUT MISTING DUST CONTROL

OWNER'S MANUAL & OPERATING INSTRUCTIONS



Revision 105	03.2009

Enter the Serial Number of your new saw in the space below.
The Serial Number is located on the left side of the blade guard.

SERIAL NUMBER:

--

CAUTION:

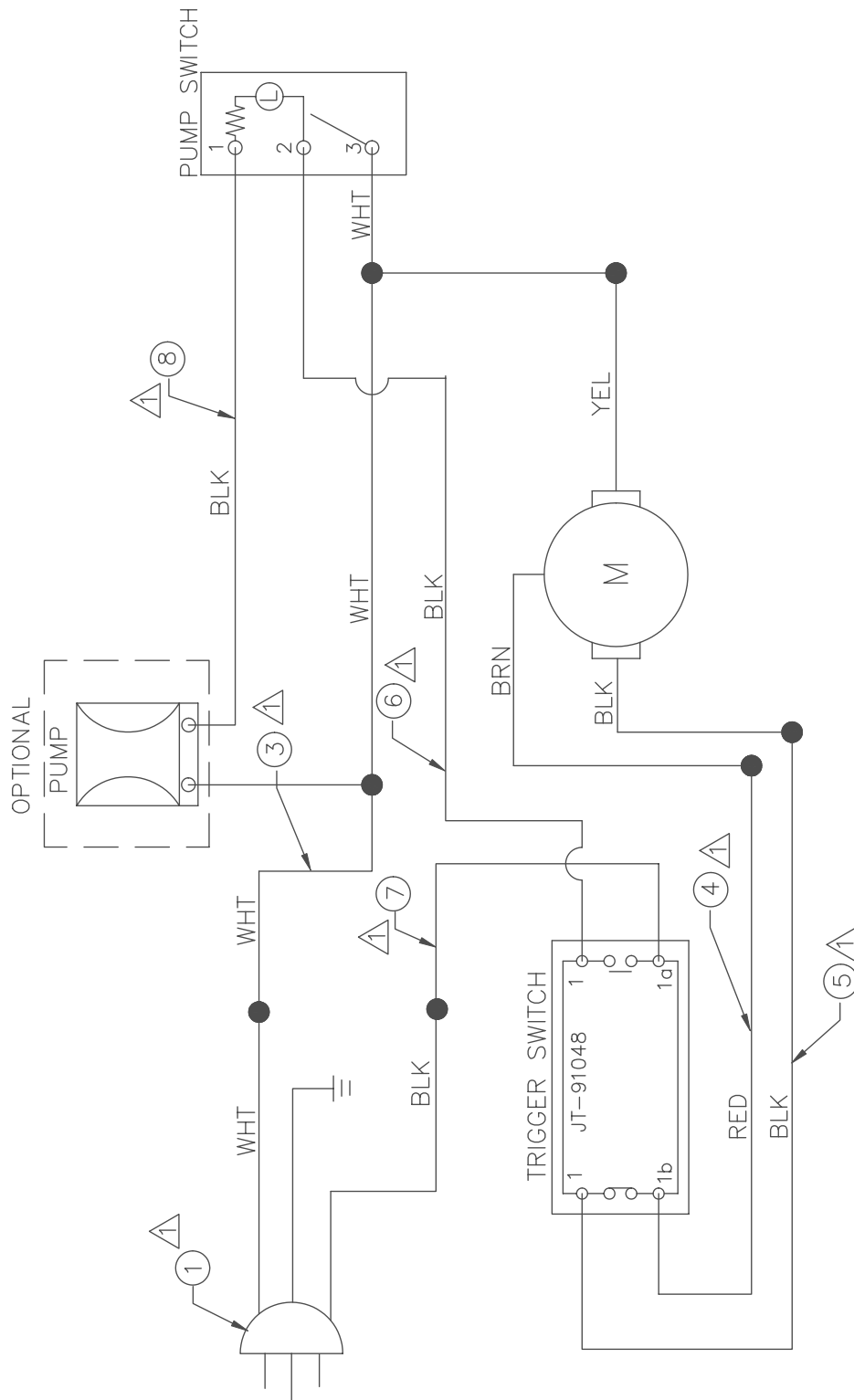
Read all safety and operating instructions before using this equipment



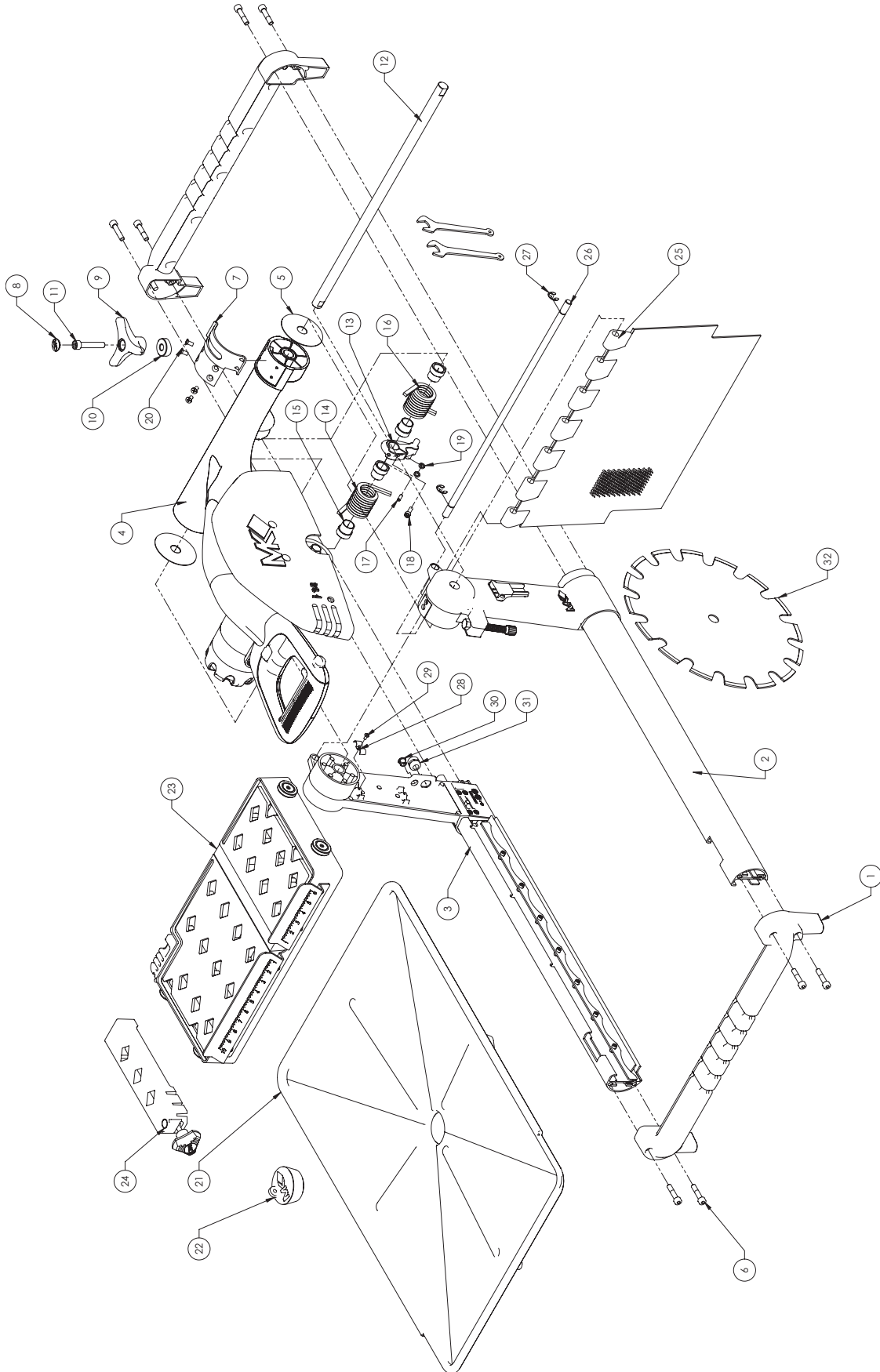
NOTE:

For your (1) one year warranty to be effective, complete the warranty card (including the Serial Number) and mail it in as soon as possible.

BRICK SAW ELECTRICAL WIRING DIAGRAM



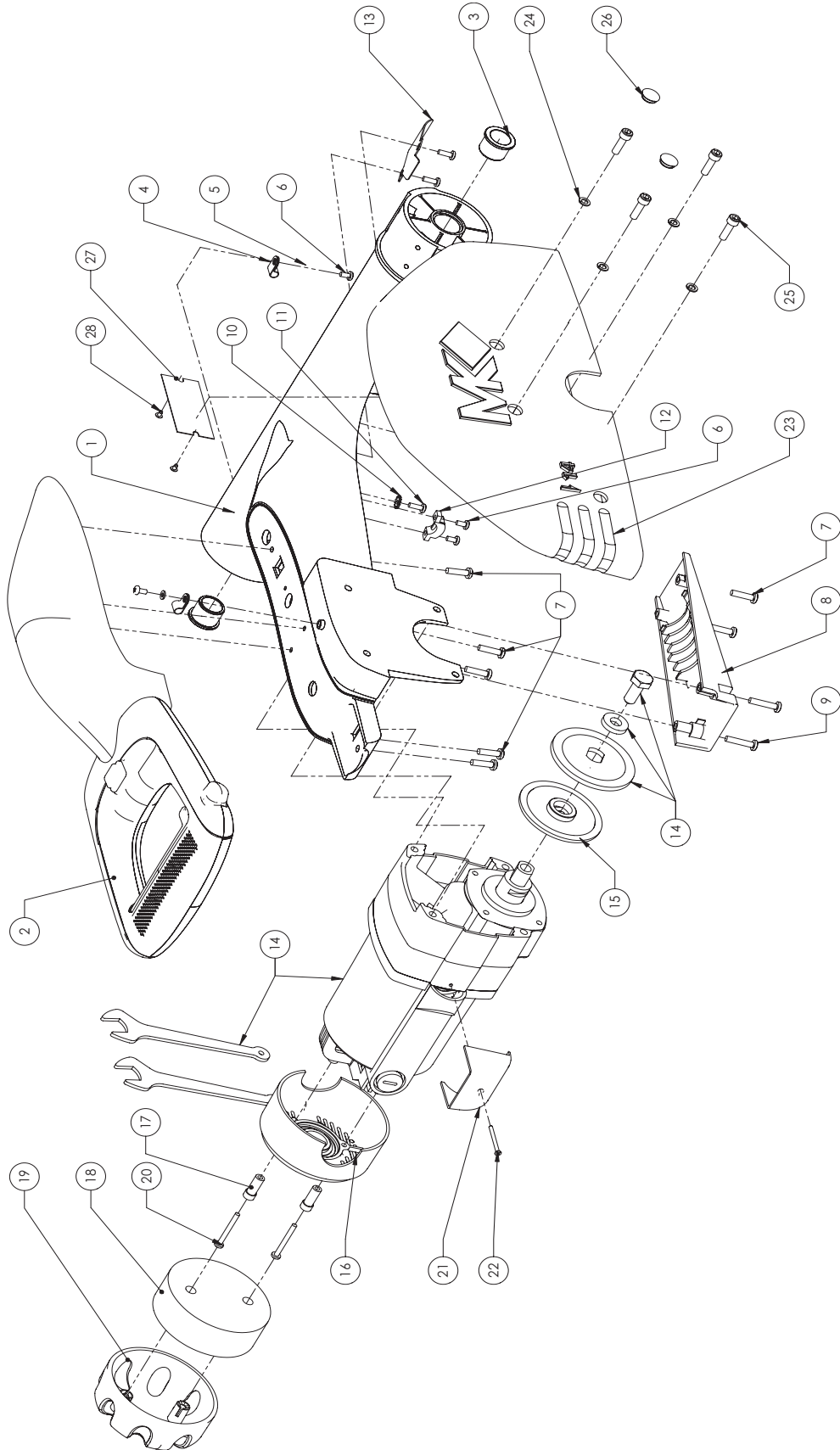
ASSEMBLY FINAL (WITHOUT MISTING COMPONENTS)



PART LIST, ASSEMBLY, FINAL

ITEM NO.	PART NUMBER	DESCRIPTION	QTY.
1	166231	ASSY, END CAP	2
2	166234	ASSY, RIGHT FRAME	1
3	166235	ASSY, LEFT FRAME	1
4	166238	ASSY, CUTTING HEAD	1
5	164675	RING, WEAR	2
6	164721	SCREW, SOC HD CAP, M8x30mm	8
7	164712	INDICATOR, DEPTH	1
8	166311	COVER, KNOB	1
9	166312	KNOB, TRI	1
10	164727	BUSHING, LOCK	1
11	164773	SCREW, SOC HD CAP TAPPING, M10x56mm	1
12	164658	SHAFT, PIVOT	1
13	166313	RETAINER, SPRING	1
14	164660	SPRING, TORSION, LH	1
15	164661	SPACER, SPRING	4
16	164762	SPRING, TORSION, RH	1
17	164787	SCREW, SOC SET, M5x16mm	1
18	164775	SCREW, SOC HD CAP, M6x25mm	1
19	164803	WASHER, FLAT, M7	2
20	164789	SCREW, FLAT HD PHIL, M6x13mm	4
21	164634	PAN, WATER	1
22	159858	PLUG, DRAIN	1
23	166233	ASSY, TABLE	1
24	166230	ASSY, RIP GUIDE	1
25	164769	CURTAIN, SPLASH	1
26	164665	ROD CURTAIN	1
27	164798	RING, E-RETAINING, 10mm	2
28	164724	CLAMP, TWIN	1
29	164776	SCREW, PAN HD PHIL, M4x8mm	1
30	164726	BUSHING, SNAP	1
31	164725	BUSHING, STRAIN RELIEF	1
32	157957-BK	BLADE	1

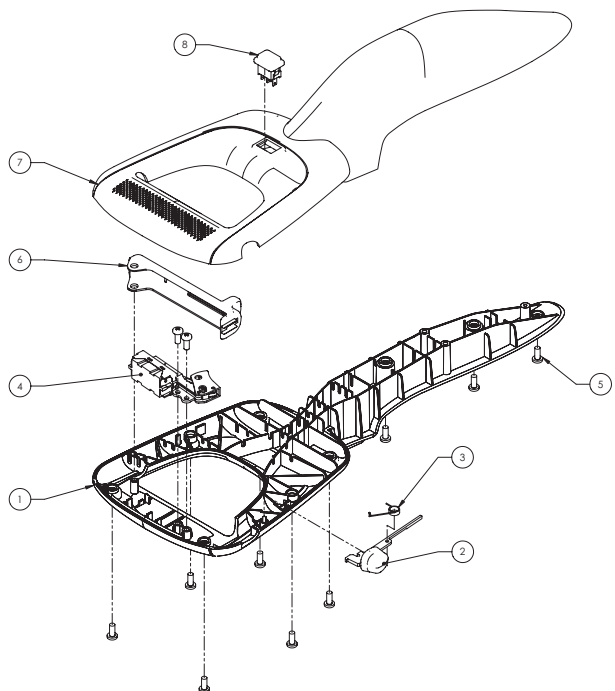
ASSEMBLY, CUTTING HEAD



PART LIST, ASSEMBLY, CUTTING HEAD (P# 166238)

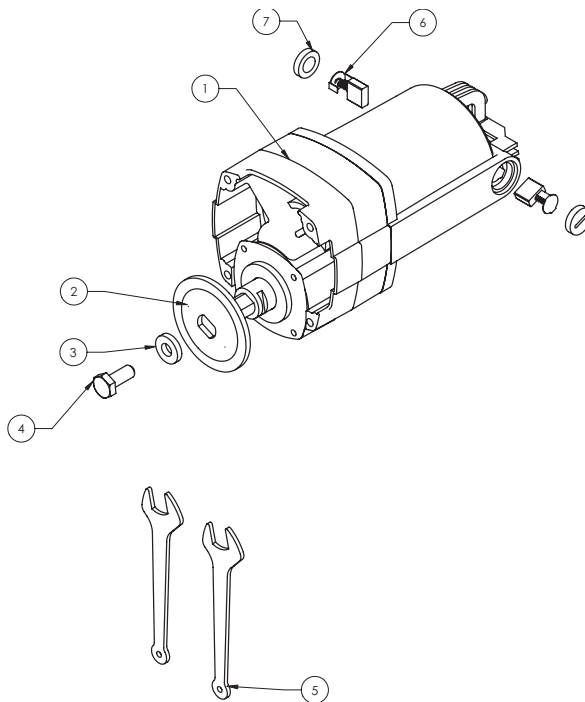
ITEM NO.	PART NUMBER	DESCRIPTION	QTY.
1	164673	ARM	1
2	166237	ASSY, HANDLE	1
3	164674	BUSHING, ARM	2
4	164698	CLAMP, TUBE	2
5	164795	WASHER, FLAT, M4	2
6	164776	SCREW, PAN HD PHIL, M4x8mm	4
7	164792	SCREW, PAN HD PHIL, M5x20mm	7
8	164680	COVER, PUMP	1
9	164781	SCREW, PAN HD PHIL, M5x25mm	2
10	164797	WASHER, TOOTH LOCK EXT, M4	1
11	164778	SCREW, PAN HD PHIL, M4x12mm	3
12	164759	CLAMP, CABLE	1
13	166314	SHIELD, POWER CORD	1
14	166232	MOTOR & ACCESSORIES	1
15	158106	FLANGE, INNER	1
16	157877	CAP, MOTOR	1
17	157879	SPACER, FILTER	2
18	157729	FILTER	1
19	157878	CAP, FILTER	1
20	158157	SCREW, PAN HD COMB SELF TAPPING, #8x1-1/2"	2
21	157880	COVER, WIRE	1
22	158160	SCREW, FLAT HD PHIL, #6x1-1/2"	1
23	164681	GUARD, BLADE	1
24	166249	WASHER, LOCK, M6	4
25	164775	SCREW, SOC HD CAP, M6x25mm	4
26	164685	PLUG, SCREW HOLE	2
27	157500	TAG, SERIAL	1
28	157849	PIN, DRIVE, #7x5/16	2

PARTS & LIST <CON'T>



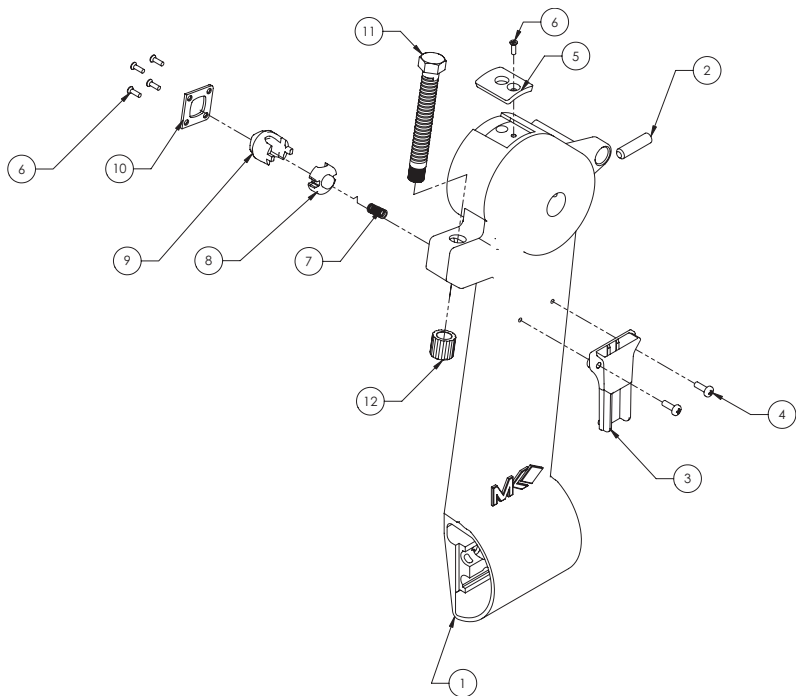
ASSY, HANDLE (P#166237)

ITEM NO.	PART NUMBER	DESCRIPTION	QTY.
1	164667	HANDLE, LOWER	1
2	164671	BUTTON, LOCK	1
3	164734	SPRING, RETURN	1
4	164832	SWITCH, TRIGGER	1
5	164791	SCREW, PAN HD PHIL, M5x12mm	11
6	164670	LEVER, SWITCH	1
7	164668	HANDLE, UPPER	1
8	166315	SWITCH, PUMP	1



MOTOR & ACCESSORIES (P#166232)

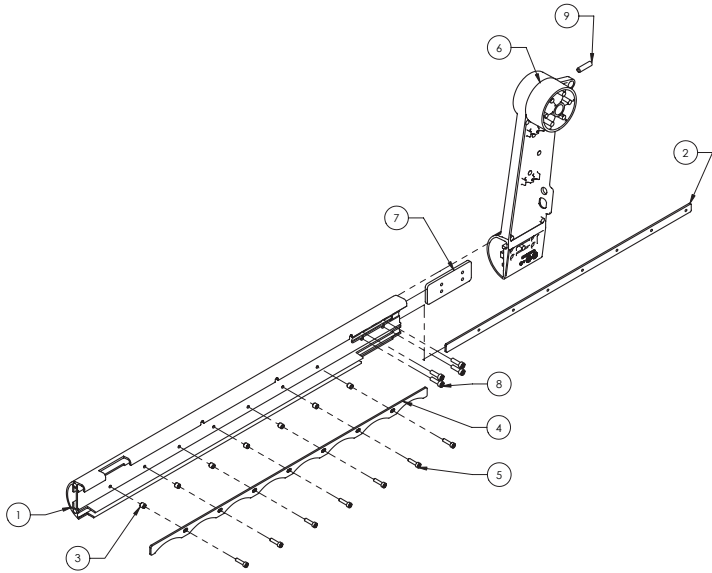
ITEM NO.	PART NUMBER	DESCRIPTION	QTY.
1	157801-r	MOTOR	1
2	158105	FLANGE, INNER	1
3	166134	WASHER, M10	1
4	152272	SCREW, HEX HD CAP, M10x20mm	1
5	158110	WRENCH, 17mm	2
6	166228	BRUSH, MOTOR	2
7	166229	CAP, MOTOR BRUSH	2



ASSY, VERTICAL SUPPORT, RIGHT (P#166236)

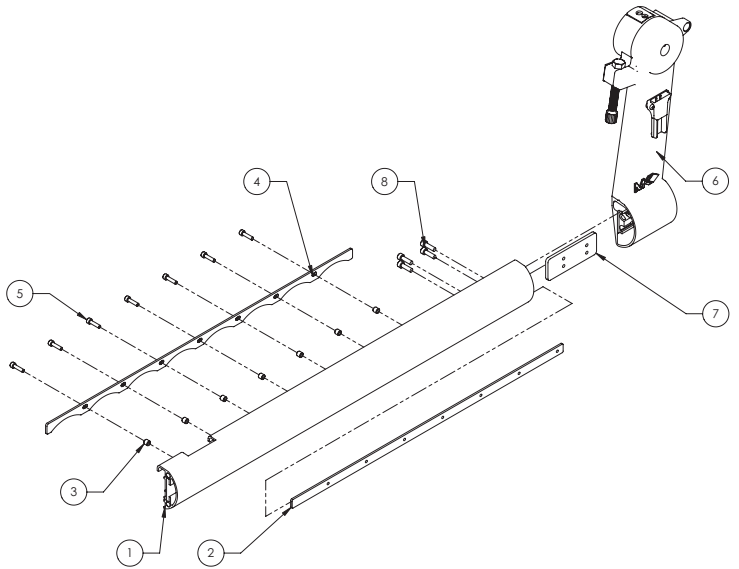
ITEM NO.	PART NUMBER	DESCRIPTION	QTY.
1	166227	SUPPORT, RIGHT VERTICAL	1
2	164788	SCREW, SOC SET, M8x30mm	1
3	164669	HOLDER, WRENCH	1
4	164778	SCREW, PAN HD PHIL, M4x12mm	2
5	164723	PLATE, LOCKING, CUTTING HEAD	1
6	164784	SCREW, FLAT HD PHIL, M4x10mm	5
7	164717	SPRING, RELEASE	1
8	166316	SEAT SPRING	1
9	164718	BUTTON, RELEASE	1
10	164716	COVER, RELEASE BUTTON	1
11	164713	STOP, DEPTH	1
12	164714	CAP, DEPTH STOP	1

ASSEMBLY THE WHOLE FRAME & PART LIST



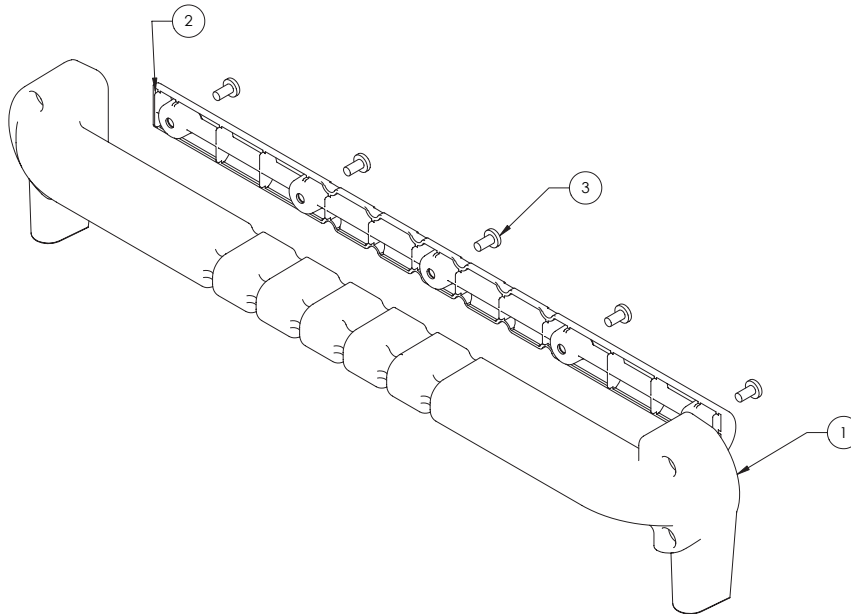
ASSY, LEFT FRAME (P#166235)

ITEM NO.	PART NUMBER	DESCRIPTION	QTY.
1	164649	FRAME, LEFT	1
2	164722	PLATE, RAIL SUPPORT	1
3	164651	STANDOFF, RAIL	7
4	164650	RAIL, STEEL	1
5	164774	SCREW, SOC HD CAP, M5x20mm	7
6	164655	SUPPORT, LEFT VERTICAL	1
7	164657	PLATE, RAIL SUPPORT	1
8	164775	SCREW, SOC HD CAP, M6x25mm	4
9	164788	SCREW, SOC SET, M8x30mm	1



ASSY, RIGHT FRAME (P#166234)

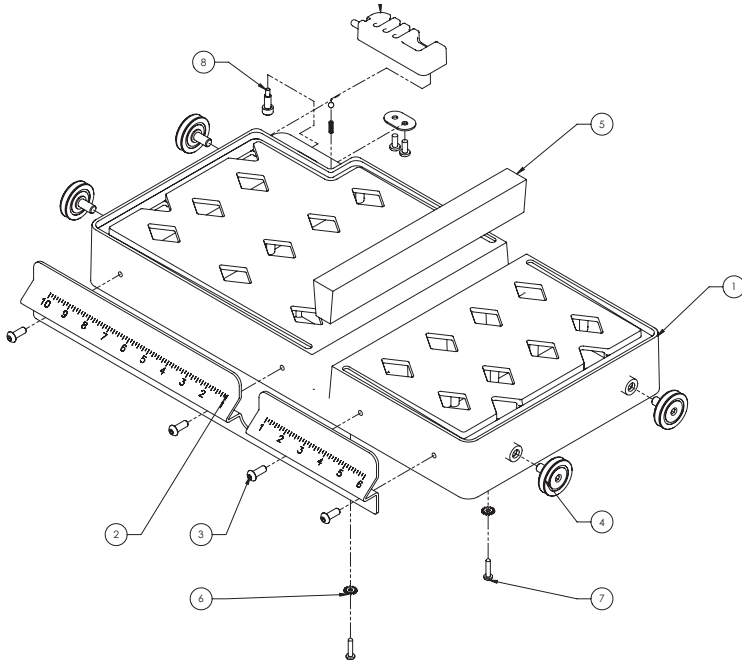
ITEM NO.	PART NUMBER	DESCRIPTION	QTY.
1	164648	FRAME, RIGHT	1
2	164722	PLATE, RAIL SUPPORT	1
3	164651	STANDOFF, RAIL	7
4	164650	RAIL, STEEL	1
5	164774	SCREW, SOC HD CAP, M5x20mm	7
6	166236	ASSY, SUPPORT, RIGHT VERTICAL	1
7	164657	PLATE, RAIL SUPPORT	1
8	164775	SCREW, SOC HD CAP, M6x25mm	4



ASSY, END CAP (P#166231)

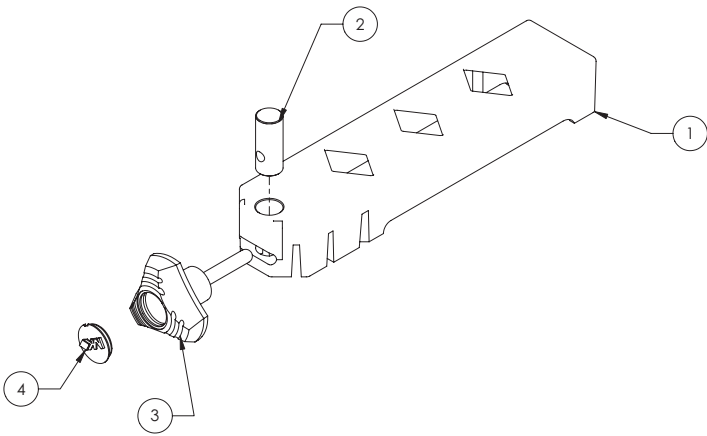
ITEM NO.	PART NUMBER	DESCRIPTION	QTY.
1	164652	END CAP	1
2	164653	COVER, END CAP	1
3	164783	SCREW, PAN HD PHIL, M6x12mm	5

ASSEMBLY TABLE, TABLE LOCK & PART LIST



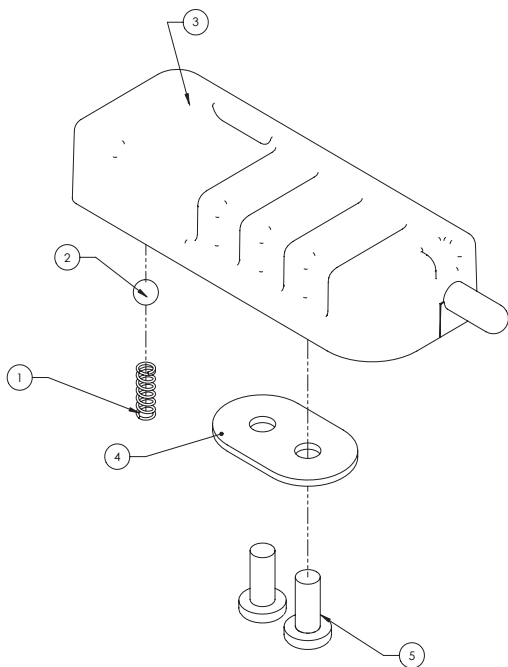
ASSY, TABLE (P#166233)

ITEM NO.	PART NUMBER	DESCRIPTION	QTY.
1	164636	TABLE	1
2	164637	FENCE, TABE	1
3	164772	SCREW, PAN HD PHIL, M6x16mm	4
4	133090	WHEEL, ROLLER	4
5	164641	STRIP, WOOD	1
6	164797	WASHER, TOOTH LOCK EXT, M4	2
7	164796	SCREW, WOOD, M4x20mm	2
8	164760	PIN, GUIDE	1
9	166239	KIT, TABLE LOCK	1



ASSY, RIP GUIDE (P#166230)

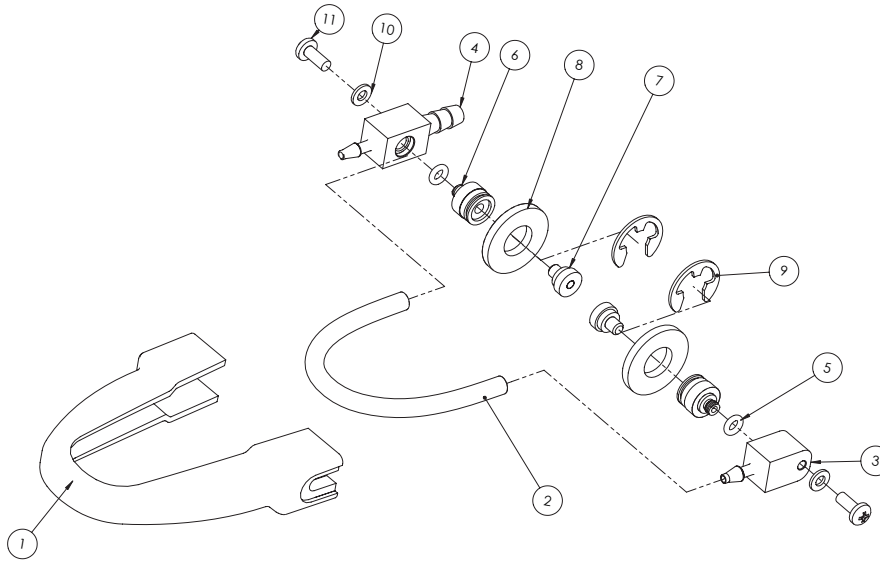
ITEM NO.	PART NUMBER	DESCRIPTION	QTY.
1	164645	GUIDE, RIP	1
2	164646	PIN, SWIVEL	1
3	164659	KNOB	1
4	164728	COVER, KNOB	1



KIT, TABLE LOCK (P#166239)

ITEM NO.	PART NUMBER	DESCRIPTION	QTY.
1	164644	SPRING, TABLE LOCK	1
2	164643	BALL, STEEL, 5mm	1
3	164642	LOCK, TABLE	1
4	164719	WASHER, DOUBLE HOLE	1
5	164791	SCREW, PAN HD PHIL, M5x12mm	2

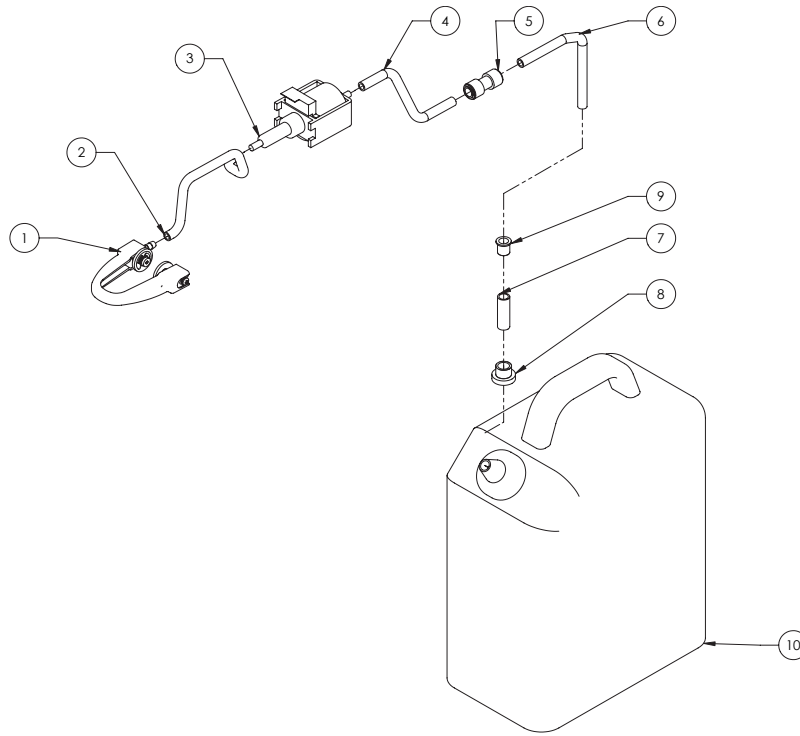
ASSEMBLY MISTING SYSTEM & PART LIST



MODULE, MISTING (P#166240)

ITEM NO.	PART NUMBER	DESCRIPTION	QTY.		VENDOR PART NUMBER
1	164703	COVER, PLASTIC TUBE	1		260515000
2	164704	TUBING, PVC, 1/4x3/16x3.55"	1		260516000
3	164702	FITTING, SHORT	1		260513000
4	164701	FITTING, LONG	1		260514000
5	165009	O-RING, 7.8x1.9mm	2		A63000000040
6	164700	ADAPTER, NOZZLE	2		260512100
7	164699-100	NOZZLE, 1mm, 10-24 Thread	2		260510000
8	166194	WASHER, RUBBER, 26x12x3mm	2		260536000
9	166195	RING, E-RETAINING, 9mm	2		A47000090000
10	165007	WASHER, FLAT, M4	2		A35010410010
11	165006	SCREW, PAN HD PHIL, M4x8mm	2		A10001040100

ASSEMBLY MISTING SYSTEM WATER TANK & PART LIST



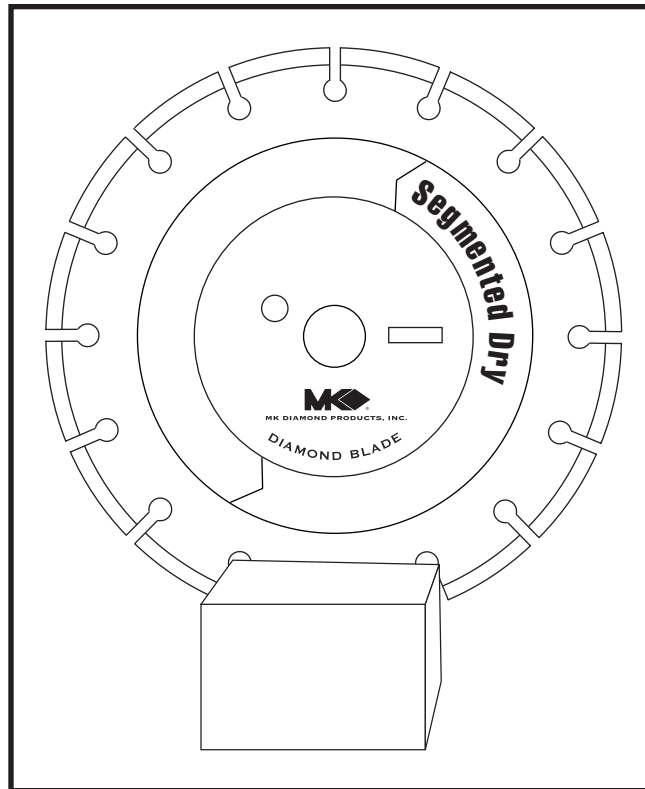
KIT, MISTING (P#165013-MK)

ITEM NO.	PART NUMBER	DESCRIPTION	QTY.
1	166240	MODULE, MISTING	1
2	165008	TUBING, POLYURETHANE, 3/8x.245x19	1
3	164693	PUMP	1
4	165005	TUBING, POLYURETHANE, 3/8x.245x24	1
5	165004	COUPLING, PUSH-TO-CONNECT, 3/8x3/8	1
6	164692	TUBING, PVC, 3/8x1/4x51"	1
7	156001	TUBING, PVC, 1/2x3/8x1-1/2	1
8	164691	FILTER	1
9	165003	GROMMET	1
10	165002	CONTAINER, WATER	1
11	165011	INSTRUCTION SHEET (NOT SHOWN)	1
12	152566	CARTON, OUTER (NOT SHOWN)	1

THEORY

THEORY OF DIAMOND BLADES

Diamond blades do not really cut; they grind the material through friction. Diamond crystals, often visible at the leading edge and sides of the rim/segment, remove material by scratching out particles of hard, dense materials, or by knocking out larger particles of loosely bonded abrasive material. This process eventually cracks or fractures the diamond particle, breaking it down into smaller pieces. As a result, a diamond blade for cutting soft, abrasive material must have a hard metal matrix composition to resist this erosion long enough for the exposed diamonds to be properly utilized. Conversely, a blade for cutting a hard, non-abrasive material must have a soft bond to ensure that it will erode and expose the diamonds embedded in the matrix. These simple principles are the foundation of “controlled bond erosion”.



TYPES OF CUTTING:

There are two basic types of cutting-Dry or Wet. The choice of which type of blade to use depends on:

- The requirements of the job
- The machine/tool utilizing the diamond blade
- The preference of the operator

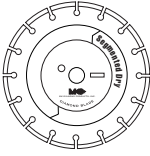
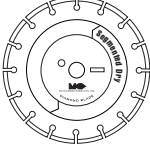
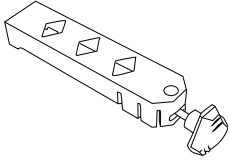

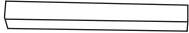
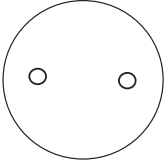
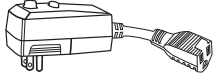
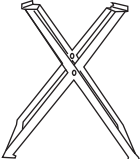
In the case of DRY cutting, the overwhelming popularity and quantity of hand-held saws and the flexible nature of MK Diamond blades to professionally handle most ceramic, masonry, stone and concrete materials, make the DRY cutting blade a very attractive tool. When using a DRY blade, the user must be aware of distinct operating practices to ensure optimum performance. DRY cutting blades require sufficient airflow about the blade to prevent overheating of the steel core. This is best accomplished by shallow, intermittent cuts of the material with periods of “free-spinning” (for several seconds) between each cut, to maximize the cooling process.

For WET cutting applications, MK has the exact blade to compliment both the material to be cut and the wet cutting machine to be used. During cutting operations, liberal amounts of water act as a coolant to support the cutting effectiveness and longevity of the WET blade. Additionally, using water adds to the overall safety of cutting operations by keeping the dust signature down.

Know All You Can About the Material You Wish to Cut.

ACCESSORIES, ORDERING & RETURN INFORMATION

ACCESSORIES:

ITEM	NUMBER	DESCRIPTION	
1.	157957	MK-BX10, Dry Cutting 14" Segmented Blade	
2.	157944	MK-BX30, Dry Cutting 14" Segmented Block Blade	
3.	231276	Adjustable Cutting Guide	
4.	133090	Roller Wheel	
5.	156427	Protective Wooden Strip	
6.	157729	Motor Air Filter	
7.	152610	Ground Fault Circuit Interrupter	
8.	162771	BX-4 Stand (Stand contains Owner's Manual)	

ACCESSORIES, ORDERING & RETURN INFORMATION

ORDERING INFORMATION:

You may order MK Diamond products through your local MK Diamond distributor or, you may order direct from MK Diamond.

NOTE: There is a \$25.00 minimum order when ordering direct from MK Diamond. All purchases must be made using VISA or MasterCard.

When ordering direct from MK Diamond, please have the following information ready before calling:

- The Model Number of the saw
- The Serial Number of the saw
- Where the saw was purchased and when
- The Part Number for the part(s) being ordered
- The Part Description for the part(s) being ordered

All parts may be ordered by calling toll free to – **800 421-5830** or **310 539-5221** and asking for Customer Service. For technical questions, call – **800 474-5594**.

RETURN MATERIALS POLICY:

To expedite the service relative to the return of a product purchased through MK Diamond, please observe the following:

NOTE: When returning all items, they must have been purchased within the previous twelve (12) months.

- Have the Model Number of the saw
- Have the Serial Number of the saw
- Have the location of where the saw was purchased
- Have the date when the saw was purchased
- Contact Customer Service for approval to return the item(s)
- Obtain a Returned Goods Number (RGA) authorizing the return
- Follow the packaging instructions in the following section
- Ensure your item(s) are prepaid to the destination

For returned items, call toll free to – **800 421-5830** or **310 539-5221** and ask for Customer Service. For technical questions, call – **800 474-5594** or **310 257-2845**.

PACKAGING INSTRUCTIONS:

- Remove the Blade guard and Support Angle Assembly
- Dry the saw before shipping
- When packing, include the following: BX-4, Diamond Blade, Movable Cutting Table and Adjustable Cutting Guide (Other Accessories are not required)
- Package the unit in its original container or one of comparable size (do not ship the unit partially exposed)
- Ensure all parts are secured in the packaging to prevent moving

AUTHORIZED SERVICE CENTERS:

For quicker repair time, you may contact MK Diamond Customer Service, toll free, at – **800 421-5830** or **310 539-5221** for the Authorized Service Center closest to you. For technical questions, call – **800 474-5594**.



BX-4

BRICK SAW WITH MISTING DUST CONTROL

OWNER'S MANUAL & OPERATING INSTRUCTIONS

CALIFORNIA PROPOSITION 65 MESSAGE:

⚠ WARNING

Some dust created by power sanding, sawing, grinding, drilling, and other construction activities contain chemicals known [to the State of California] to cause cancer, birth defects or other reproductive harm.

Some examples of these chemicals are:

- Lead, from lead-based paints
- Crystalline silica, from bricks and cement and other masonry products and
- Arsenic and chromium, from chemically treated lumber

Your risk from these exposures varies depending on how often you do this type of work. To reduce your exposure to these chemicals, work in a well-ventilated area, and work with approved safety equipment, such as those dust masks that are specially designed to filter out microscopic particles.

MK DIAMOND PRODUCTS, INC.
1315 STORM PARKWAY
TORRANCE, CA 90509-2803
(310) 539-5158