

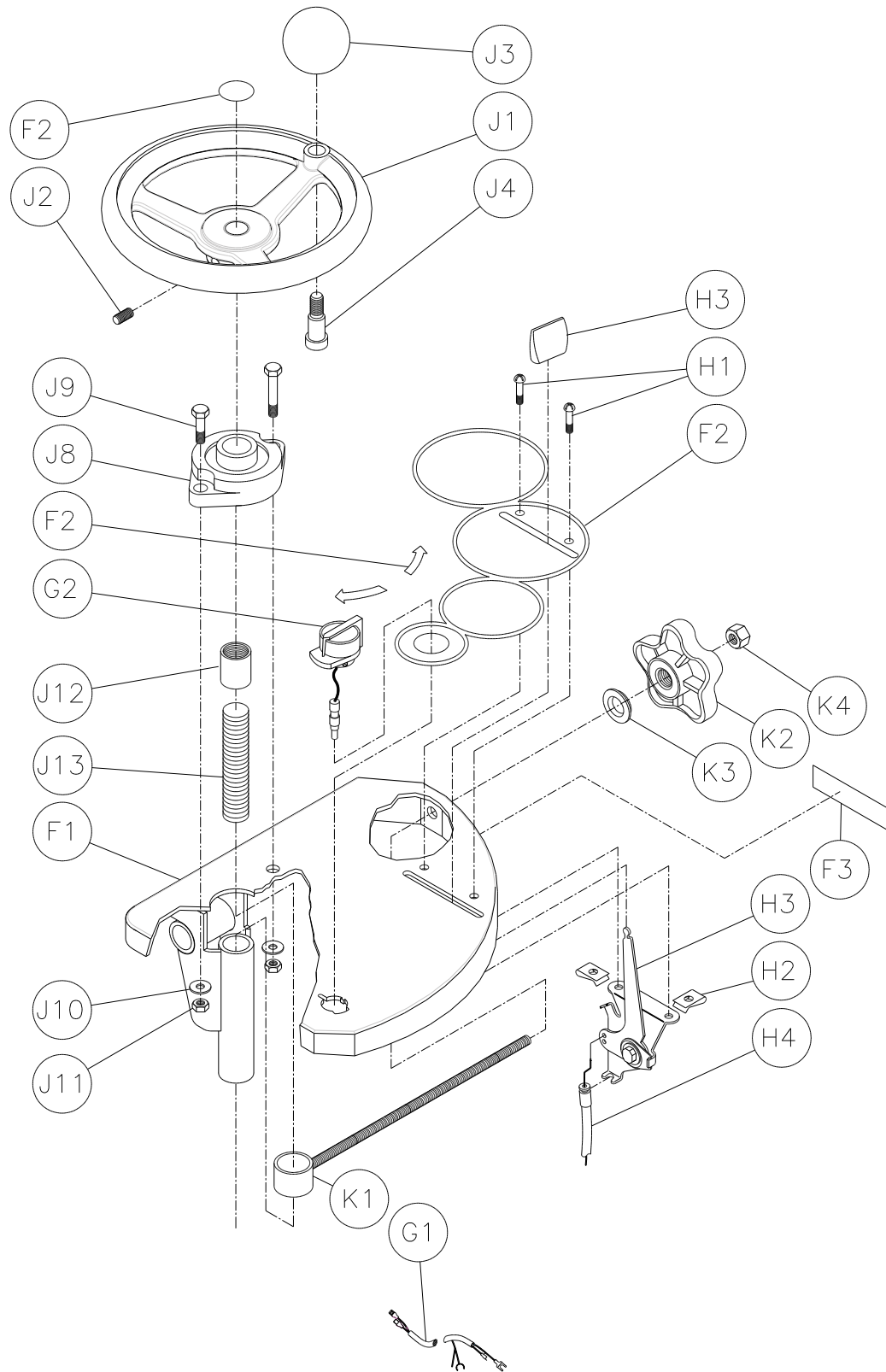
MK-SG-2 SCARIFIER

OWNERS MANUAL, PARTS LIST & OPERATING INSTRUCTIONS



Revision 102	10.2011
Manual Part# 158537	

Caution: Read all safety and operating instructions before using this equipment. This owner's manual **MUST** accompany the equipment at all times.



MK-SG-2 SCARIFIER

PARTS LIST

ITEM	DESCRIPTION	QTY.	PART#
A	ASSEMBLY, ACCESSORIES	-	n/a
A1	PALLET, SHIPPING (NOT SHOWN)	1	158535
A2	CARTON, MK SCARIFIER SHIPPING (NOT SHOWN)	1	158536
A3	CARTON, SCARIFIER DRUM (NOT SHOWN)	1	158825
A4	MANUAL, OWNER'S (NOT SHOWN)	1	158537
A5	TUBE, OWNER'S MANUAL (NOT SHOWN)	1	155419
A6	(REFERENCE ONLY) SPACER, HARDEN STEEL	-	158575
A7	(REFERENCE ONLY) STAR, 5 POINT CARBIDE TIP (1 3/4 OD X 5/8" ID)	-	158492
A8	(REFERENCE ONLY) STAR, 6 POINT CARBIDE TIP (1 3/4 OD X 5/8" ID)	-	158493
A9	(REFERENCE ONLY) CUTTER, 18 SHARP TOOTH STEEL (2" OD X 9/16" ID)	-	158494
A10	(REFERENCE ONLY) CUTTER, 12 BLUNT TOOTH STEEL (2" OD X 5/8" ID)	-	158495
B	ASSEMBLY, FRAME	-	158609
B1	FRAME WELDMENT (MK RED)	1	158101
BA1	FRAME WELDMENT (ORANGE)	1	158101-OR
B2	PLATE, SERIAL NUMBER	1	157458
B3	#7 X 5/16 DRIVE SCREW	4	227214
B4	CAP, 2"OD VINYL	1	158914
B5	LABEL, 1 3/4 X 5" MK LOGO	1	154335
B6	LABEL, CAUTION, HANDS AND FEET	1	155585
B7	LABEL, CAUTION, DO NOT OPERATE WITH GUARDS REMOVED	1	155587
C	ASSEMBLY, FRAME DUST SCREEN	-	n/a
C1	SCREEN, RIGHT SIDE, FRAME DUST	1	158594
C2	SCREEN, LEFT SIDE, FRAME DUST	1	158595
C3	SCREEN, FRONT / BACK, FRAME DUST	2	158596
C4	SCREW, 1/4-20 X 1/2 PAN HEAD PHILLIPS CAP	4	155452
C5	SCREW, 1/4-20 X 1/2 FLAT HEAD PHILLIPS CAP	4	155812
C6	NUT, 1/4-20 KEPS	8	153941
C7	WASHER, 1/4 SAE FLAT	8	151915
D	ASSEMBLY, FRONT AXLE	-	n/a
D1	WHEEL, FRONT, 5 DIA. X 2	2	138537
D2	COLLAR, 3/4 SET	2	153814
D3	AXLE, 3/4 DIA. FRONT	1	158522
E	ASSEMBLY, TRUCK	1	n/a
E1	TRUCK, WELDMENT	1	158099
E2	WASHER, 3/4 SHIM	~	153699
E3	WHEEL, 4 DIA. X 2	2	158520
E4	PIN, COTTER, 1/8 X 1 1/2	2	153861
E5	BOLT, 1/2-13 X 4 HEX HEAD TAP	2	156626
E6	WASHER, 1/2 SAE FLAT	4	150924
E7	NUT, 1/2-13 TOP LOCK, HEX	2	153943
ITEM	DESCRIPTION	QTY.	PART#

MK-SG-2 SCARIFIER

PARTS LIST

F	ASSEMBLY, CONSOLE	-	n/a
F1	WELDMENT, CONSOLE (MK RED)	1	158098
FA1	WELDMENT, CONSOLE (ORANGE)	1	154098-OR
F2	LABEL, CONTROL	1	158287
F3	LABEL, DEPTH LOCK	1	155577
G	ASSEMBLY, STANDARD WIRE HARNESS	1	N/A
G	WIRE HARNESS, STANDARD, HONDA	1	158232
G	SWITCH, ENGINE ON/OFF	1	157851
H	ASSEMBLY, THROTTLE HONDA	-	-
H1	SCREW, 10-24 X 1/2 PAN HEAD PHILLIPS CAP	2	151744
H2	NUT, 10-24 CLIP	2	155407
H3	ASSEMBLY, THROTTLE HEAD	1	155406
H4	CABLE, THROTTLE, HONDA	1	154158
J	ASSEMBLY, DEPTH CONTROL	-	-
-	SUBASSEMBLY, DEPTH CONTROL WHEEL	1	155457
J1	WHEEL, DEPTH CONTROL	1	158574
J2	SCREW, 3/8-16 X 1/2 SOCKET HEAD SET	1	153710
J3	KNOB, 1" BALL	1	158519
J4	SCREW, 1/2 X 3/4 SOCKET HEAD SHOULDER, W/ 3/8-16 X 5/8 THREAD	1	156177
-	SUBASSEMBLY, DEPTH CONTROL TUBE	1	155460
J5	TUBE, DEPTH CONTROL	1	155049
J6	NUT, 3/8-16 NYLOCK HEX	1	152505
J7	SCREW, 3/8-16 X 2 HEX HEAD CAP	1	153485
J8	BEARING, FLANGE, W/ ZERK FITTING	1	155151
J9	SCREW, 3/8-16 X 1 1/4 HEX HEAD CAP	2	150774
J10	WASHER, 3/8 SAE FLAT	1	150923
J11	NUT, 3/8-16 NYLOCK HEX	2	152505
J12	SPACER, 1.5" DEPTH CONTROL	1	155161
J13	SCREW, 15" DEPTH CONTROL	1	158521
K	ASSEMBLY, DEPTH LOCK	-	N/A
K1	LOCK, 8-7/8 DEPTH CONTROL	1	157846
K2	KNOB, DEPTH LOCK	1	155845
K3	THRUST WASHER	1	155238
K4	NUT, 3/8-16 NYLOCK HEX	1	152505
L	ASSEMBLY, QUICK LIFT AND LOWERING LEVER	-	N/A
L1	LEVER	1	158102
L2	KNOB, 2" BALL	1	158519
L3	SCREW, 3/8-24 X 1 HEX HEAD CAP	1	157803
L4	WASHER, 3/8 SAE FLAT	1	150923
L5	WASHER, 3/8 SPLIT LOCK	1	150925
L6	PIVOT, SHAFT	1	158288
ITEM	DESCRIPTION	QTY.	PART#
L7	SCREW, 1/2-13 X 1 1/4 HEX HEAD CAP	1	153532

MK-SG-2 SCARIFIER

PARTS LIST

L8	WASHER, 1/2 SPLIT LOCK	1	153524
L9	WASHER, 1/2 SAE FLAT	1	150924
M	ASSEMBLY, ENGINE MOUNT	-	N/A
M1	ENGINE, MOUNT (MK RED)	1	158101
MA1	ENGINE, MOUNT (ORANGE)	1	158101-OR
M2	BOLT, 3/8-16 X 1 HEX HEAD CAP	4	152507
M3	WASHER, 3/8 SAE FLAT	9	150923
M4	WASHER, 3/8 SPLIT LOCK	3	150925
M5	NUT, 3/8-16 NYLOCK HEX	2	152505
M6	NUT, 3/8-16 HEX	3	101188
M7	BOLT, 3/8-16 X 3 HEX HEAD TAP	1	155830
M8	LABEL, CAUTION, BELT TENSION	1	155583
M9	LABEL, CAUTION, SPARKPLUG	1	155579
N	ASSEMBLY, ENGINE, 9HP HONDA	1	155396-MK
N1	ENGINE, HONDA GX240 9 HP W/ CYCLONE FILTER	1	155396
N2	DEFLECTOR, HONDA	1	155375
N3	SCREW, 6-32 X 3/8 PAN HEAD PHILLIPS SELF-TAPPING CAP	3	153466
N4	PULLEY, 2 1/2"OD, POLY-V	1	158470
N5	POLLY-V-BELT (350J16)	1	158469
N6	NUT, 3/8-16 HEX	4	101188
N7	WASHER, 3/8 SPLIT LOCK	4	150925
N8	WASHER, 3/8 SAE FLAT	8	150923
N9	SCREW, 3/8-16 X 2 HEX HEAD CAP	4	153485
N10	PIN, THROTTLE CONTROL	1	151284
N11	SCREW, 8-32 X 1/2 PAN HEAD PHILLIPS CAP	1	152517
N12	PIN, COTTER, 1/16 X 3/4	1	152518
N13	PLUG, 3/4 FLUSH HEAD BUTTON	1	156615
N14	OIL DRAIN, M12 X 3/8 PUSH	1	157577-02
N15	LABEL, CAUTION, HOT SURFACE, 1.5 X 3.0	1	155578
N16	LABEL, WARNING, REFUELING, 1.5 X 3.0	1	155580
N17	LABEL, DANGER, CALIFORNIA, 1.5 X 3.0	1	155581
N18	LABEL, DANGER, LETHAL EXHAUST, 1.5 X 3.0	1	155582
P	ASSEMBLY, BELT GUARD	-	N/A
P1	GUARD, BELT (MK RED)	1	158104
PA1	GUARD, BELT (ORANGE)	1	158104-OR
P2	SCREW, 3/8-16 X 1 HEX HEAD CAP	3	152507
P3	WASHER, 3/8 SAE FLAT	3	150923
P4	WASHER, 3/8 SPLIT LOCK	3	150925
P5	PLUG, 2" DIA REMOVABLE	1	158538
P6	LABEL, CAUTION, BELT TENSION	1	155583
P7	LABEL, CAUTION, GUARDS IN PLACE	1	155587
ITEM	DESCRIPTION	QTY.	PART#
Q	ASSEMBLY, SHAFT GUARD	-	N/A

MK-SG-2 SCARIFIER
PARTS LIST

Q1	GUARD, SHAFT (MK RED)	1	158581
QA1	GUARD, SHAFT (ORANGE)	1	158581-OR
Q2	SCREW, 3/8-16 X 1 1/4 HEX HEAD CAP	2	150774
Q3	WASHER, 3/8 SAE FLAT	4	150923
Q4	WASHER, 3/8 SPLIT LOCK	2	150925
Q5	NUT, 3/8-16 HEX	2	101188
R	ASSEMBLY, DRUM BEARING	-	N/A
R1	HOUSING, BEARING	2	158467
R2	BEARING	1	158468
R3	BEARING, 1" HEX ID	1	160834
R4	SHAFT, PULLEY	1	158466
R5	SCREW, 3/8-24 X 3/4 SOC HEAD CAP	4	158496
R6	PULLEY, 4.0"OD, POLY-V (16J40 X 1 1/4 BORE)	1	158472
R7	SCREW, 3/8-24 X 1 HEX HEAD CAP	8	157803
R8	WASHER, 3/8 SAE FLAT	8	150923
R9	WASHER, 3/8 SPLIT LOCK	8	150925
S	ASSEMBLY, 8" DRUM	1	158460
S1	DRUM, WELDMENT, 8"	1	158461
S2	BUSHING, DRUM (.515 ID) OR (33/64 ID)	18	158462
S3	SHAFT, 8" HARDEN STEEL	6	158463
S4	RING, DRUM RETAINING	2	158464
S5	SCREW, 5/16-18 X 3/4 TAP,	6	151369
S6	WASHER, 5/16 SPLIT LOCK	6	151747
S7	WASHER, 5/16 FLAT SAE	6	151754
S8	BUSHING, FLANGED (.515 ID) OR (33/64 ID)	12	165248
T	ASSEMBLY, 8" DRUM, DRIVE SHAFT	-	N/A
T1	SHAFT, 8" DRUM, DRIVE	1	158465
T2	NUT, 5/8-11 HEX JAM (LEFT HAND THRED)	2	158577
U	ASSEMBLY, HANDLEBAR	-	N/A
U1	HANDLEBAR	1	158359
U2	HANDGRIP	2	150842
U3	SCREW, 3/8-16 X 1 HEX HEAD CAP	2	156602
U4	WASHER, 3/8 SPLIT LOCK	4	150925
U5	WASHER, 3/8 SAE FLAT	4	150923

Optional Drum Assemblies

ITEM	DESCRIPTION	QTY.	PART#
AA	ASSEMBLY, 8" DRUM, 78 X 5-POINT CARBIDE STAR	-	158583
AA1	Assembly, 8" Drum	1	158460
AA2	Star, 5 Point Carbide Tip (1-3/4 OD x 5/8" ID)	78	158492
AA3	Spacer, Harden Steel	192	158575
BB	Assembly, 8" Drum, 78 x 6-Point Carbide Star	-	158584
BB1	Assembly, 8" Drum	1	158460
BB2	Star, 6 Point Carbide Tip (1-3/4 OD x 5/8"ID)	78	158493
BB3	Spacer, Harden Steel	192	158575
CC	Assembly, 8" Drum, 108 x 18 Sharp Tooth Cutter	-	158585
CC1	Assembly, 8" Drum	1	158460
CC2	Cutter, 18 Sharp Tooth Steel (2" OD x 9/16"ID)	108	158494
CC3	Spacer, Harden Steel	234	158575
DD	Assembly, 8" Drum, 108 x 12 Blunt Tooth Cutter	-	158586
DD1	Assembly, 8" Drum	1	158460
DD2	Cutter, 12 Blunt Tooth Steel (2" OD x 5/8"ID)	108	158495
DD3	Spacer, Harden Steel	234	158575

THEORY OF SCARIFYING

The purpose of scarifying is to make scratches, superficial incisions or roughen a surface. There are a number of ways in which a concrete surface can be roughened, the advantage of a scarifying machine, is that it allows the user to control the amount of material removed over a large area.

A scarifier can be used to clean, level, roughen, groove, slot, or prepare a concrete surface for coating. The scarifier is able to perform each of these operations by using different types of cutting discs that are setup in different configurations on a cutting drum.








By varying the type of cutting disc and configuration of the cutting drum, a user can:

- Clean a surface of oil, grease, or paint prior to applying a coating or sealer
- Level high spots or misaligned joints
- Remove carpet or tile adhesives as well as paint
- Roughen or create non-slip surfaces
- Slot concrete surfaces for overlays
- Cut safety grooves to minimize slippage

Scarifier cutting discs are either carbide tipped or steel, and are star-shaped in design. Cutting discs may have five or more “points,” and the ends may be round, pointed or blunt depending on application.

Cutting discs designed with carbide inserts tend to be the most commonly used due to their extended life. As the disc is used, more of the carbide insert is exposed until the disc is worn below the bottom of the insert. Once worn below the insert, the disc must be replaced.

ACCESSORIES:

ITEM	NUMBER	DESCRIPTION	
1.	158492	Five Point Carbide Tip Cutting Disc Used for grinding, leveling, grooving, cleaning and surface preparation Average Life: 6000 to 8000 Sq Ft	
2.	158493	Six Point Carbide Tip Cutting Disc Used for grinding, leveling, grooving, cleaning and surface preparation Average Life: 8000 to 10000 Sq Ft	
3.	158494	Eighteen Point Sharp Tooth Steel Disc Used for roughening, oil removal, carpet and tile adhesive removal, cleaning and surface preparation Average Life: 500 to 800 Sq Ft	
4.	158495	Twelve Point Blunt Tooth Steel Disc Used for paint and oil removal, traffic and shop floor safety line removal, cleaning and surface preparation Average Life: 500 to 800 Sq Ft	
5.	158575	Hardened Steel Spacer Used to fill empty space between the Cutting Discs	

ORDERING INFORMATION

You may order MK Diamond products through your local MK Diamond distributor or, you may order direct from MK Diamond.

When ordering direct from MK Diamond, please have the following information ready before calling:

- The Model Number of the saw
- The Serial Number of the saw
- Where the saw was purchased and when
- The Part Number for the part(s) being ordered
- The Part Description for the part(s) being ordered

NOTE: There is a \$25.00 minimum order when ordering direct from MK Diamond. A \$5.00 charge will be added to orders having a net billing value under \$50.00. All purchases must be made using VISA, MasterCard or American Express.

All parts may be ordered by calling toll free to – 800 421-5830 or 310 539-5221 and asking for Customer Service. For technical questions, call – 800 474-5594.

RETURN MATERIALS POLICY

To expedite the service relative to the return of a product purchased through MK Diamond, please observe the following:

NOTE: When returning all items, they must have been purchased within the previous twelve (12) months.

- Have the Model Number of the saw
- Have the Serial Number of the saw
- Have the location of where the saw was purchased
- Have the date when the saw was purchased
- Contact Customer Service for approval to return the item(s)
- Obtain a Returned Goods Number (RGA) authorizing the return
- Follow the packaging instructions in the following section
- Ensure your item(s) are prepaid to the destination

For returned items, call toll free to – 800 421-5830 or 310 539-5221 and ask for Customer Service. For technical questions, call – 800 474-5594 or 310 257-2845.

PACKAGING INSTRUCTIONS

- Remove the Cutting Head and Support Angle Assembly
- Dry the saw before shipping
- When packing, include the following: Scarifier, Diamond Blade, Blade Guard and Support Angle Assembly and Adjustable Cutting Guide (Other Accessories are not required)
- Package the unit in its original container or one of comparable size (do not ship the unit partially exposed)
- Ensure all parts are secured in the packaging to prevent moving

AUTHORIZED SERVICE CENTERS

For quicker repair time, you may contact MK Diamond Customer Service, toll free, at 800 421-5830 or 310 539-5221 for the Authorized Service Center closest to you or visit our web site at www.mkdiamond.com. For technical questions, call – 800 474-5594.

CONTACT:

Please contact MK Diamond Products, Inc. Customer Service Department with any questions you might have regarding distributors, parts or service.

Telephone: **(800) 421-5830**

Fax: **(310) 539-5158**

E-mail: **Customer_Service@MKDiamond.com**

Customer Service Hours: **Monday through Friday, 6AM-4PM PST**

MK Diamond Products, Inc.

1315 Storm Parkway

Torrance, CA 90501

MK DIAMOND PRODUCTS, INC. LIMITED WARRANTY

MK DIAMOND PRODUCTS, INC. will guarantee every machine they build, to be free from defects in material and workmanship for (1) one year from date of purchase. The obligation of MK DIAMOND PRODUCTS, INC. under this warranty is limited to the repair or replacement of any parts which, under normal use, prove to be defective in material or workmanship. The parts involved or the unit in question should be returned to MK DIAMOND PRODUCTS, INC. or to a point designated by us, transportation prepaid.

This warranty does not obligate us to bear the cost of labor or transportation charges in connection with replacement or repair of defective parts. Likewise, it shall NOT apply to any unit which has been subjected to misuse, neglect or accident. This warranty does NOT apply to any machine which has been repaired or altered outside our factory.

This warranty does NOT obligate MK DIAMOND PRODUCTS, INC., with respect to items not of our manufacture, such as engines, motors, hydraulics, etc., which are subject to their own guarantees and warranties.

We shall in no event be liable for consequential damages or contingent liabilities arising out of failure of any equipment or parts to operate properly.

© COPYRIGHT 2011, MK DIAMOND PRODUCTS, INC. ALL RIGHTS RESERVED.

The MK Diamond logo is a registered trademark of MK Diamond Products, Inc. and may not be used, reproduced, or altered without written permission. All other trademarks are the property of their respective owners and used with permission.

MK Diamond may have patents, patent applications, trade marks, copyrights of other intellectual property right covering this product in this document.

This manual MUST accompany the equipment at all times. This manual is considered a permanent part of the equipment and should remain with the unit if resold.

The information and specifications included in this publication were in effect at the time of approval for printing.

MK-SG-2 SCARIFIER
OWNERS MANUAL & OPERATING INSTRUCTION
DOCUMENT NO. 158537



MK Diamond Products, Inc.

MK Diamond Products, Inc.
1315 Storm Parkway
Torrance, CA 90501

Toll-Free: 1(800) 845-3729
Phone: (310) 539-2221
Fax: (310) 539-5158
www.mkdiamond.com