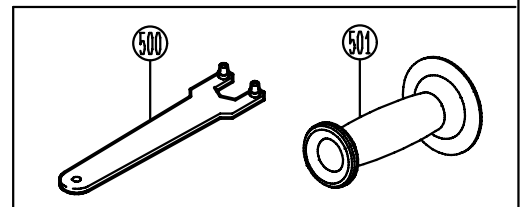
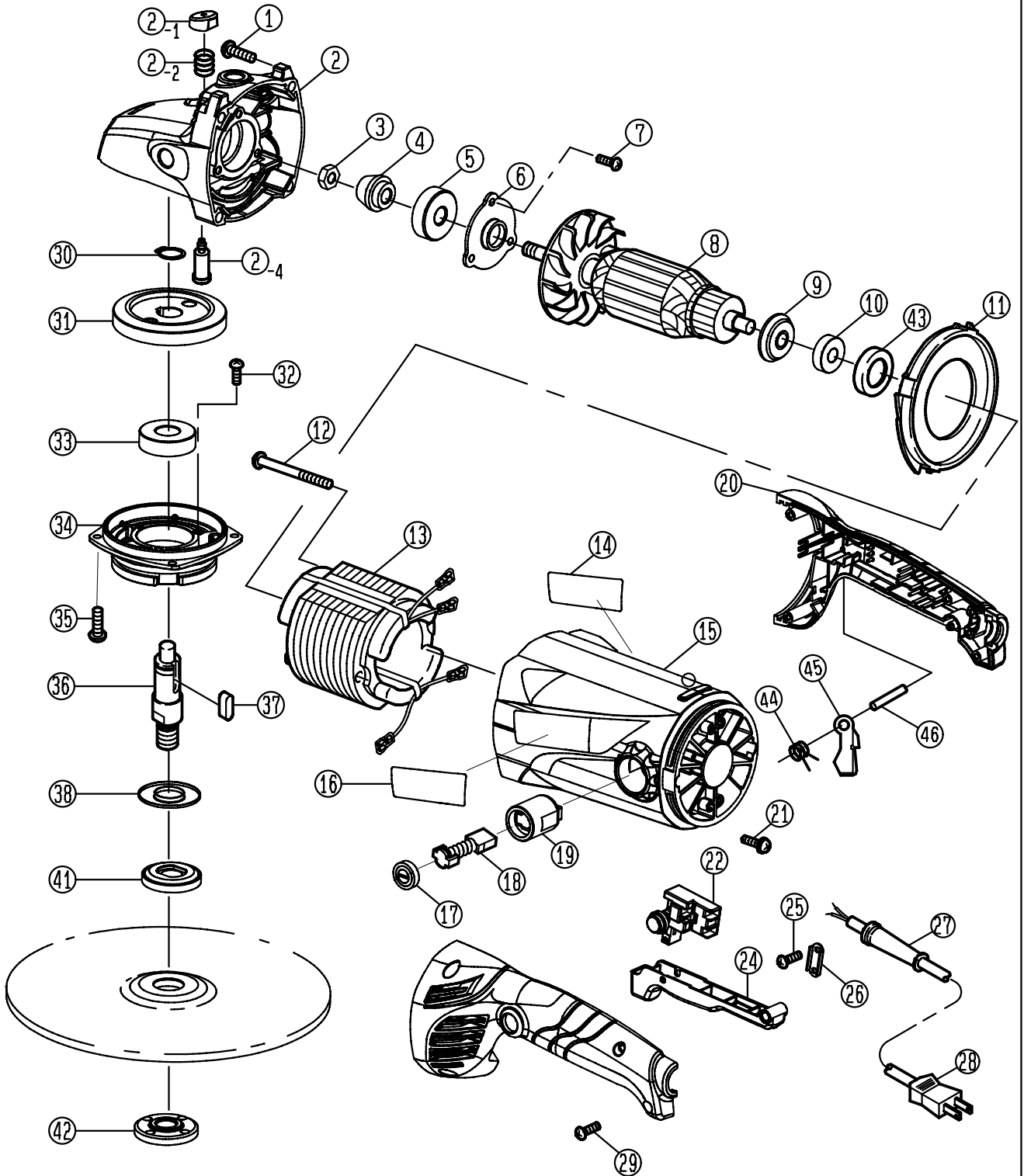


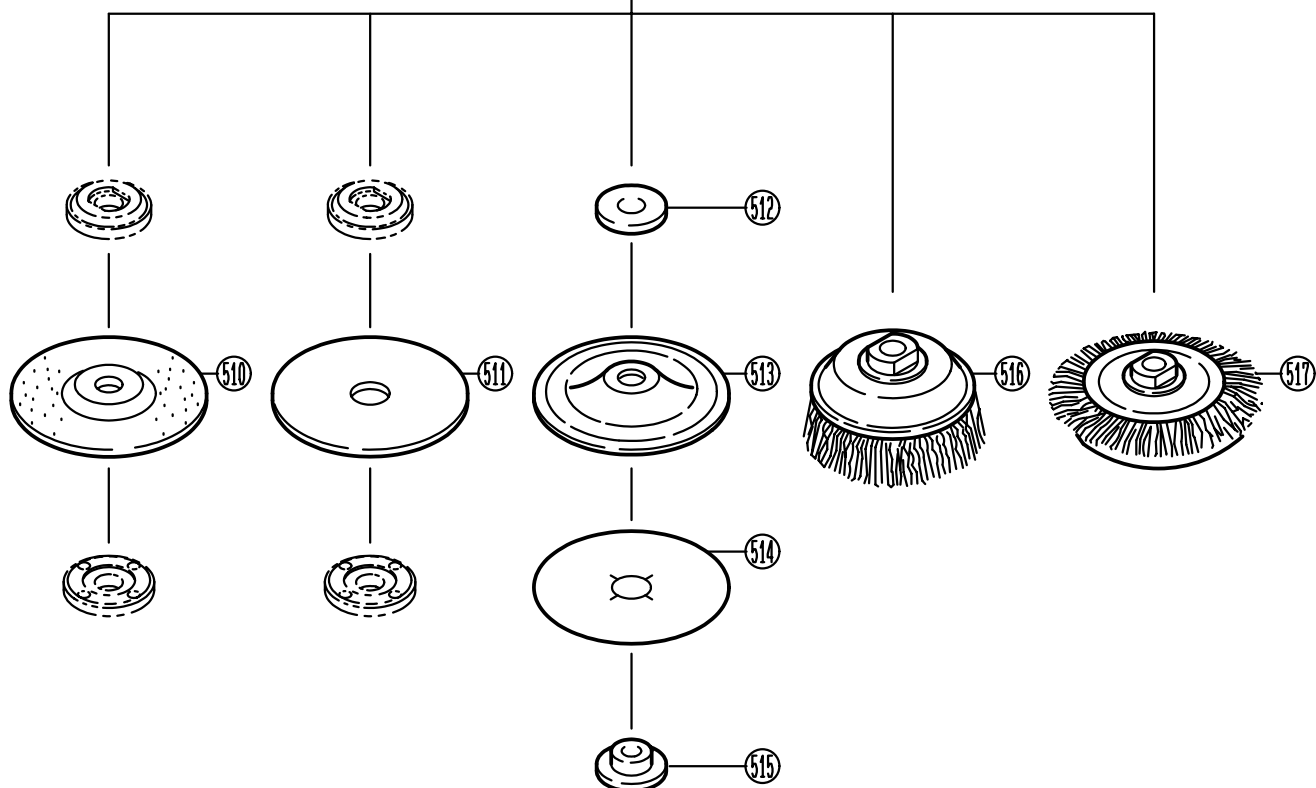
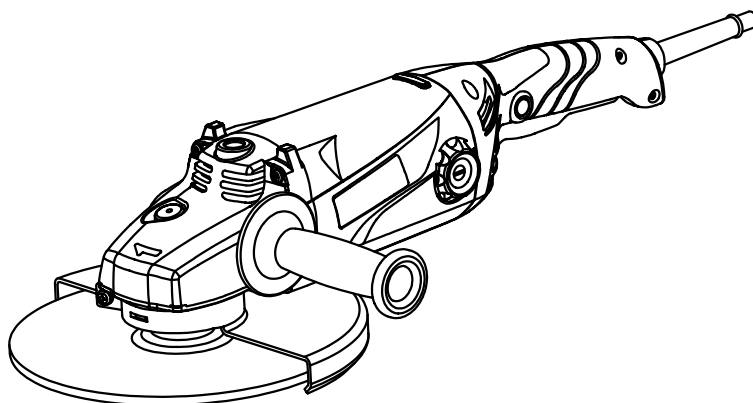
ANGLE GRINDERR

BL-183, BL-233



ANGLE GRINDER

BL-183, BL-233



REF NO.	CODE NO.	DESCRIPTION	Q'TY / UNIT
1	9060535	TAPPING SCREW (B) M5X35	4
2	6081749	GEAR CASE	1
2-1	6360649	LOCK BUTTON	1
2-2	6180688	COMPRESSION SPRING	1
2-4	6120440	STOPPER PIN	1
3	9300800	HEX. NUT M8	1
4	6200946	PINION GEAR	1
4	6200947	PINION GEAR	1
5	9846301	BALL BEARING #6301LLB	1
6	6155540	BEARING PLATE	1
7	9040514	TAPPING SCREW (S) M5X14	3
8	6035128	ARMATURE 110V.120V PB-60	1
9	6901068	COLLAR	1
10	9846000	BALL BEARING #6000LLB	1
11	6490402	FAN CASING	1
12	9060575	TAPPING SCREW (B) M5X75	2
13	6503111	FI 110V.120V PB-60 G183	1
14	6918176	NAME PLATE 120V	1
14	6918319	NAME PLATE 120V	1
15	6804130	MOTOR CASE	1
16	6923326	RYOBI LABEL	1
17	6570140	BRUSH CAP	2
18	6541717	CARBON BRUSH 110V-120V 716AH	1
19	6570139	BRUSH HOLDER	2
20	6082569	HANDLE SET	1
21	9060412	TAPPING SCREW (B) M4X12	2
22	6550891	SWITCH TG-73BR-5	1
24	6361150	TRIGGER	1
25	9060418	TAPPING SCREW (B) M4X18	2
26	6560067	CORD CLAMP 11.1	1
27	6560046	CORD HOLDER 11.1	1

REF NO.	CODE NO.	DESCRIPTION	Q'TY / UNIT
28	6520235	POWER CORD AWG#14X2X2	1
29	9060418	TAPPING SCREW (B) M4X18	4
30	9511700	RETAINING RING S-17	1
31	6200955	BEVEL GEAR Z-44	1
31	6200956	BEVEL GEAR Z-46	1
32	6131765	TAPPING SCREW (S) M5X12	3
33	9846203	BALL BEARING #6203LLB	1
34	6821564	GEAR CASE COVER	1
35	9040514	TAPPING SCREW (S) M5X14	4
36	6110252	GEAR SHAFT 5/8-11 UNC	1
37	6100224	PARALLEL KEY 5X5X14	1
38	6155950	DUST COVER	1
41	6940715	FLANGE	1
42	6940681	CLAMP NUT	1
43	6370595	BEARING RUBBER	1
44	6180062	TORSION SPRING	1
45	6361151	LOCK REVER	1
46	6120520	NEEDLE PIN F4X34.8	1
-	6560003	CONNECTOR 5.5-SD	1

STANDARD ACCESSORIES

500	6240363	LOCK-NUT WRENCH 35	1
501	6830535	AUX. HANDLE	1

ACCESSORIES

510	6680983	180MM(7") GRINDING WHEEL #24	1
510	6680923	230MM(9") GRINDING WHEEL #24	1
511	6680943	180MM ABRASIVE CUT-OFF WHEEL	1
511	6680953	180MM ABRASIVE CUT-OFF WHEEL	1
511	6680963	230MM ABRASIVE CUT-OFF WHEEL	1
511	6680973	230MM ABRASIVE CUT-OFF WHEEL	1
512	6900224	COLLAR 14X30X3.2	2
513	6940233	180MM(7") SANDING PAD 14MM	1

REF NO.	CODE NO.	DESCRIPTION	Q'TY / UNIT
513	6940235	230MM(9") SANDING PAD 14MM	1
514	6610613	180MM(7") SANDING DISC #24	1
514	6610043	180MM(7") SANDING DISC #36	1
514	6610623	180MM(7") SANDING DISC #40	1
514	6610063	180MM(7") SANDING DISC #50	1
514	6610633	180MM(7") SANDING DISC #60	1
514	6610643	180MM(7") SANDING DISC #80	1
514	6610653	180MM(7") SANDING DISC #100	1
514	6610673	180MM(7") SANDING DISC #120	1
514	6610663	180MM(7") SANDING DISC #150	1
514	6610683	230MM(9") SANDING DISC #24	1
514	6610123	230MM(9") SANDING DISC #36	1
514	6610693	230MM(9") SANDING DISC #40	1
514	6610133	230MM(9") SANDING DISC #50	1
514	6610703	230MM(9") SANDING DISC #60	1
514	6610713	230MM(9") SANDING DISC #80	1
514	6610163	230MM(9") SANDING DISC #100	1
514	6610173	230MM(9") SANDING DISC #120	1
515	6940238	CLAMP NUT M14-P2	1
516	6740053	100MM CUP WIRE BRUSH	1
517	6740083	135MM BEVEL WIRE BRUSH M14-P2	1