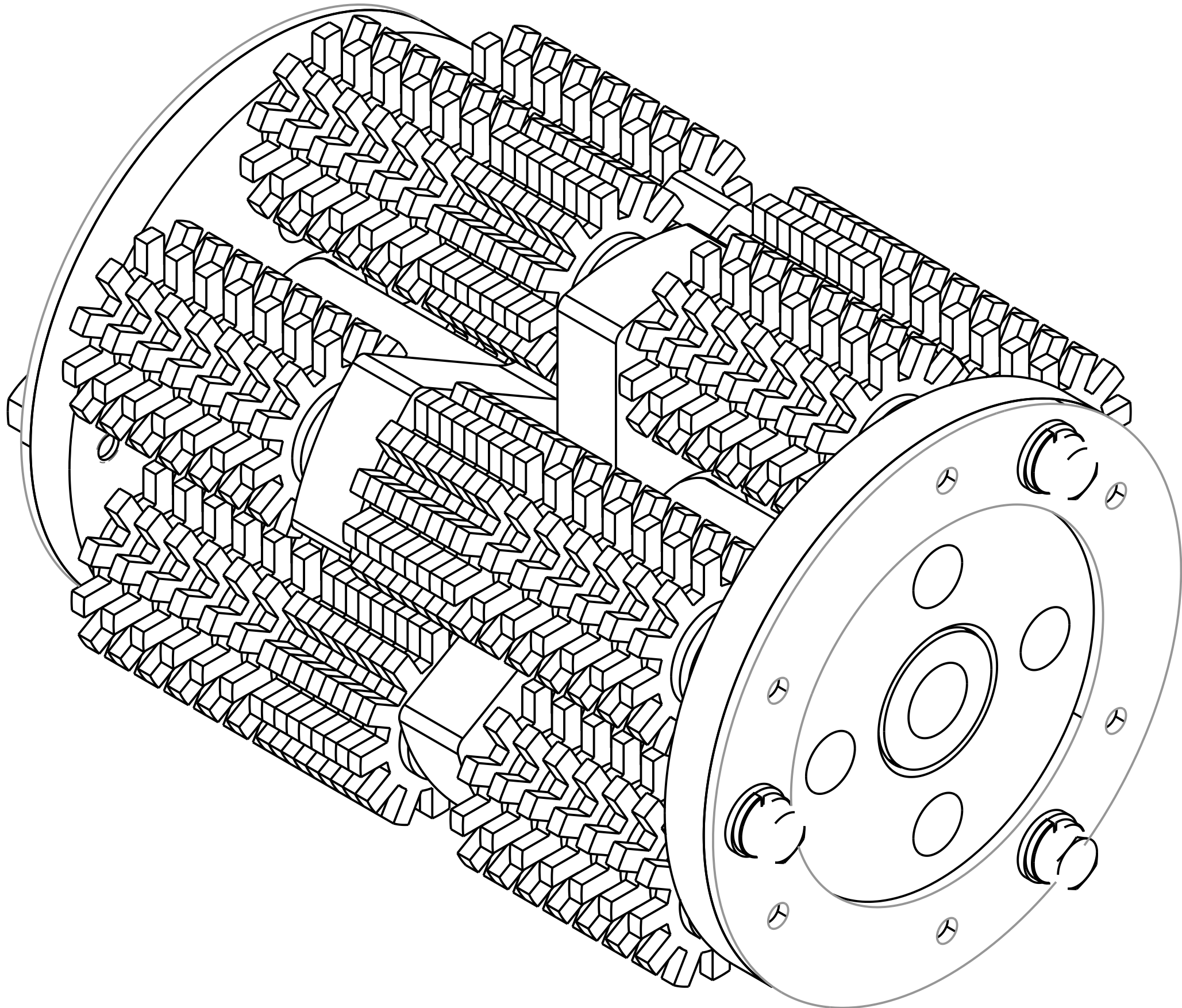
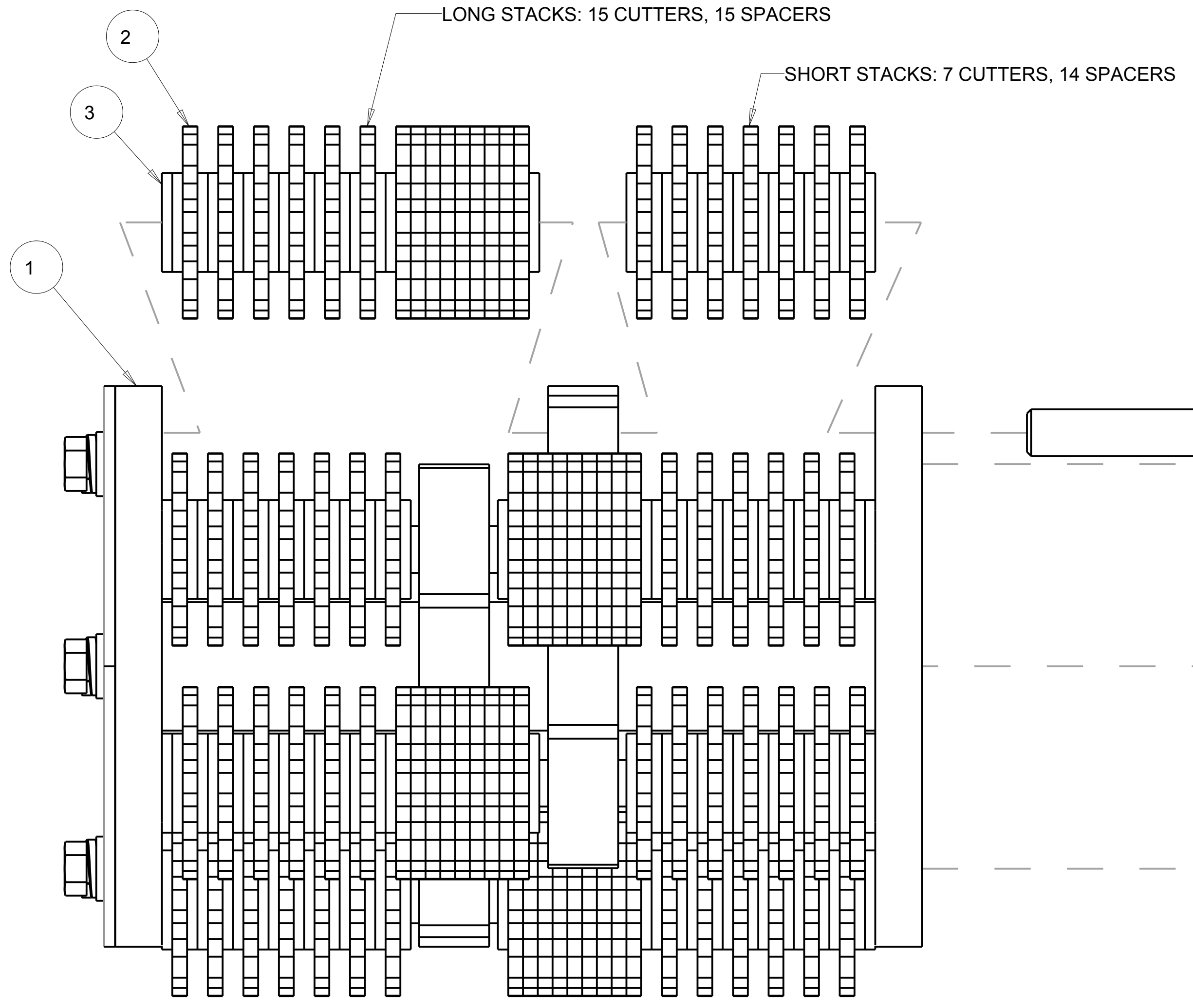


REVISIONS				
ZONE	REV	DESCRIPTION	DATE	APPROVED
-	A	CREATE DRAWING, ECO#1701	03/17/10	JRJ
-	B	CHANGE STACK UP, ECO#2238	08/10/15	JRJ



QTY. REQ.	PART OR IDENTIFYING NO.	DESCRIPTION	ITEM NO.
174	158575	SPACER, 1/2 HARDENED STEEL	3
132	158495	CUTTER, 12 BLUNT TOOTH STEEL	2
1	158460	ASSY, SCARIFIER DRUM	1

PARTS LIST			
TOLERANCES UNLESS OTHERWISE SPECIFIED	DRAWN	DATE	 MK DIAMOND PRODUCTS INC. 1315 STORM PARKWAY TORRANCE, CA. 90509
DIMENSIONS ARE IN INCHES	JRJ	03/17/10	
WHOLE NO. AND FRACTIONS = 1/16 (EXCEPT DRILL HOLES)	SMH	03/17/10	
X = ±.03	NEXT ASSY.		MK-SG SCARIFIER ASSY, 8"DRUM,132X12 BLNT TOOTH
XX = ±.010	PROPRIETARY NOTICE: THIS DRAWING AND INFORMATION IT CONTAINS ARE THE PROPERTY OF MK DIAMOND INC. AND ARE CONSIDERED CONFIDENTIAL AND MAY NOT BE REPRODUCED, COPIED, OR USED IN PART OR IN WHOLE WITHOUT THE WRITTEN CONSENT OF MK DIAMOND PRODUCTS INC.		
XXX = ±.005	SIZE	PART NO.	REV.
ANGLES = ±1/2°	D	158586	B
DO NOT SCALE DRAWING	APPLICATION	SCALE: 1:000	SHEET: 1 of 1