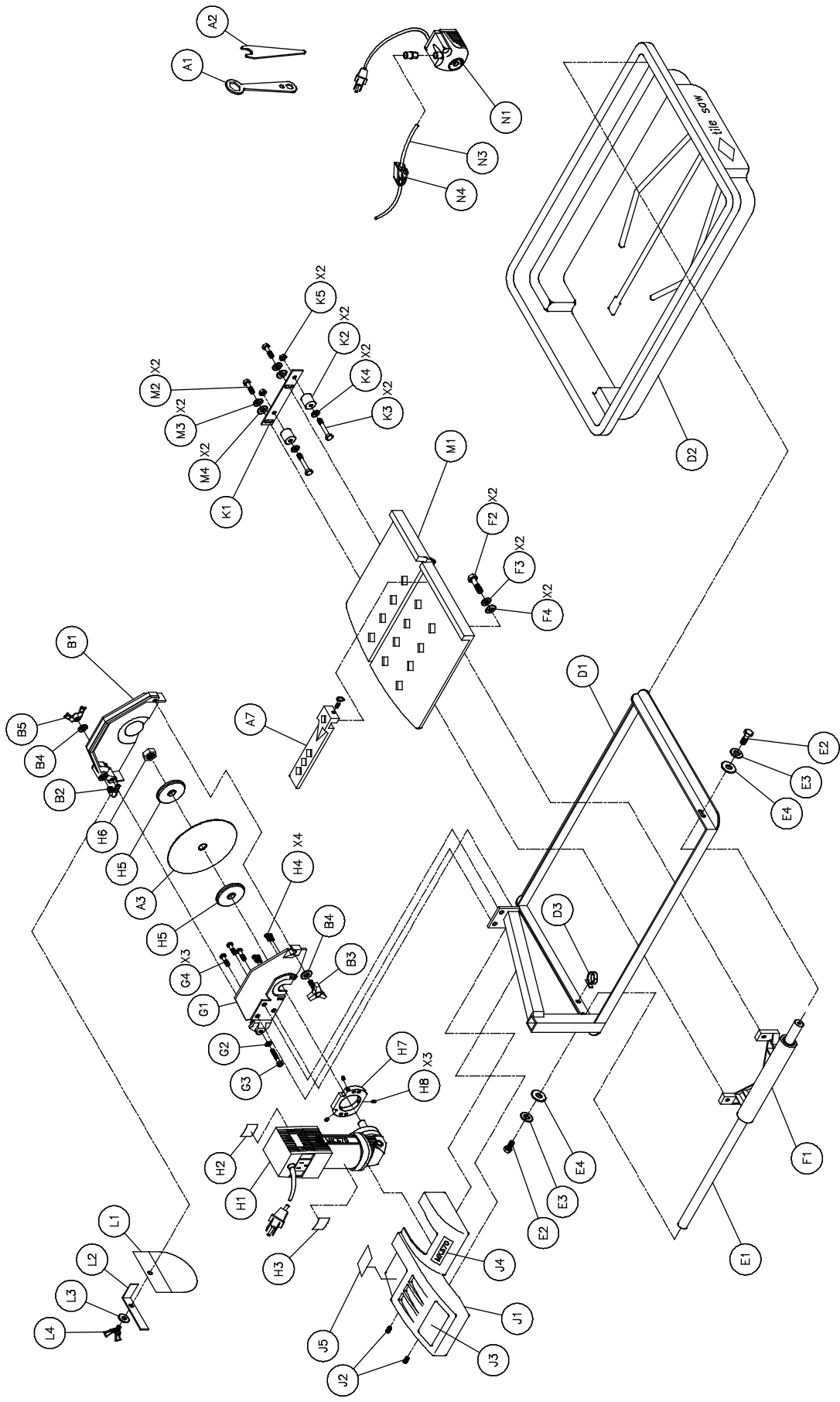


# MK-370 TILE SAW OWNERS MANUAL PARTS LIST & OPERATING INSTRUCTIONS



|                     |         |
|---------------------|---------|
| Revision 201        | 02.2017 |
| Manual Part# 156760 |         |

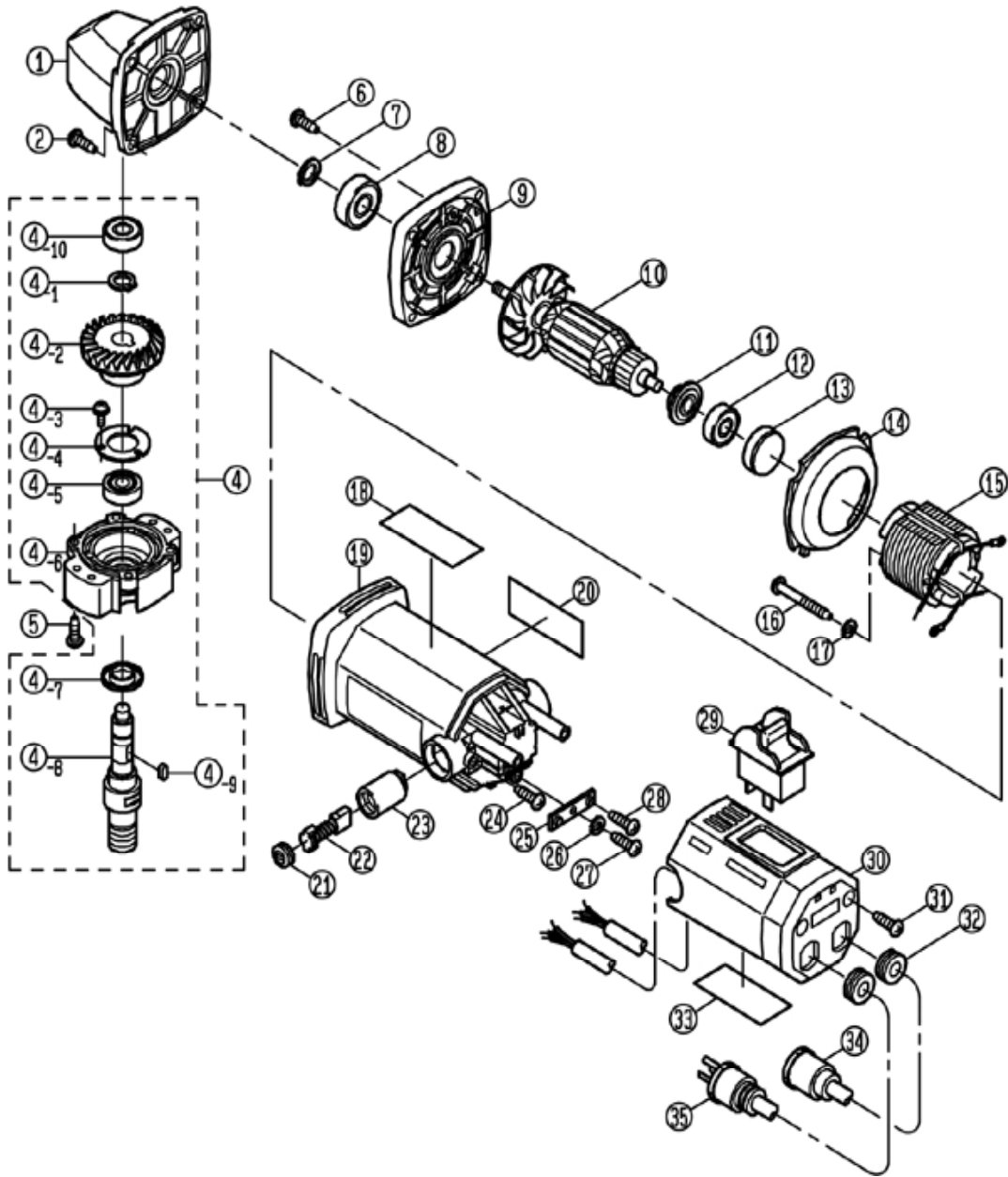
**Caution:** Read all safety and operating instructions before using this equipment. This parts list **MUST** accompany the equipment at all times.



| ITEM     | DESCRIPTION                                      | PART #           | QTY      |
|----------|--------------------------------------------------|------------------|----------|
| <b>A</b> | <b>Accessories</b>                               | <b>n/a</b>       | <b>-</b> |
| A1       | Wrench, Blade Nut, 15/16 Boxed End               | 134684           | 1        |
| A2       | Wrench, Blade Shaft, 11/16 Open End              | 153450           | 1        |
| A3       | Blade, 7 Dia X 5/8 arbor                         | 153441           | 1        |
| A4       | Owner's Manual, 370                              | 156760           | 1        |
| A5       | Warranty Card                                    | 155037           | 1        |
| A6       | Tag, Saw Hang, 370                               | 156750           | 1        |
| A7       | Assembly, Rip Guide                              | 134551-MK        | 1        |
| <b>B</b> | <b>Assembly, Blade Guard, 7"</b>                 | <b>154811-MK</b> | <b>1</b> |
| B1       | Guard, 7" Blade                                  | 154811           | 1        |
| B2       | Elbow, 1/8 MNPT X 1/4 BARB 90° Brass             | 154652           | 1        |
| B3       | Knob, Davies                                     | 151681           | 1        |
| B4       | Washer, 5/16 SAE Flat                            | 151754           | 2        |
| B5       | Wingnut, 5/16-18 Nylock                          | 151746           | 1        |
| <b>D</b> | <b>Frames</b>                                    | <b>n/a</b>       | <b>-</b> |
| D1       | Frame                                            | 155792           | 1        |
| D2       | Pan, Water                                       | 155791           | 1        |
| D2A      | Pan, Water, Deep                                 | 157210           | 1        |
| D3       | Cord Clip, 1/4 Push Mount                        | 157259           | 1        |
| <b>E</b> | <b>Assembly, 5/8 Guide Bar</b>                   | <b>151739-MK</b> | <b>1</b> |
| E1       | Bar, Guide, 5/8 Dia                              | 151739           | 1        |
| E1A      | Bar, Guide, 5/8 Dia, Extended                    | 157486           | 1        |
| E2       | Screw, 5/16-18 X 1 Hex Head Cap                  | 151743           | 2        |
| E3       | Washer, 5/16 Split Lock                          | 151747           | 2        |
| E4       | Washer, 5/16 SAE Flat                            | 151754           | 2        |
| <b>F</b> | <b>Linear Bearing</b>                            | <b>n/a</b>       | <b>-</b> |
| F1       | Bearing, Linear, 5/8 Dia (comp)                  | 157126           | 1        |
|          | F1A Bearing, Multilube                           | 151781           | 2        |
| F2       | Screw, 5/16-18 X 1 Hex Head Cap                  | 151743           | 2        |
| F3       | Washer, 5/16 Split Lock                          | 151747           | 2        |
| F4       | Washer, 5/16 SAE Flat                            | 151754           | 2        |
| <b>G</b> | <b>Assembly, Motor Mount</b>                     | <b>155811-MK</b> | <b>1</b> |
| G1       | Motor Mount                                      | 157403           | 1        |
| G2       | Washer, 5/16 Split Lock                          | 151747           | 1        |
| G3       | Screw, 5/16-18 X 2 1/2 Hex Head Cap, Full Thread | 151748           | 1        |
| G4       | Screw, 1/4-20 X 1/2 Flat Head Phillips Cap       | 155812           | 3        |
| <b>H</b> | <b>Motors</b>                                    | <b>n/a</b>       | <b>-</b> |
| H1       | Motor, 120v/7.4a, 370                            | 156428-R         | 1        |
| H2       | Label, Caution, GFCI, 1 X 2 1/8                  | 155678           | 1        |
| H3       | Label, Caution, Receptacle, 1 X 2 1/8            | 154822           | 1        |
| H4       | Screw, 10-32 X 5/8 Flat Head Phillips Cap,       | 157554           | 4        |
| H5       | Flange, Blade                                    | 135830           | 2        |
| H6       | Nut, 5/8-18 UNF                                  | 135848           | 1        |
| H7       | Adapter, Motor, 370                              | 156703           | 1        |
| H8       | Screw, 10-32 X 1/4 Socket Head Set, Cup Point    | 156715           | 3        |

| ITEM     | DESCRIPTION                                   | PART #           | QTY      |
|----------|-----------------------------------------------|------------------|----------|
| H9       | Label, 370 Model                              | 156692           | 1        |
| H10      | Plug, CEE 7/7 16a 240v                        | 153687           | 1        |
| <b>J</b> | <b>Post Cover</b>                             | <b>n/a</b>       | <b>-</b> |
| J1       | Casting, Cover, Post, 370                     | 156748           | 1        |
| J2       | Screw, 10-24 X 3/8 Socket Head Set, Cup Point | 156715           | 2        |
| J3       | Label, Warning, Read Owner's Manual           | 155806           | 1        |
| J4       | Label, 370 Model                              | 156692           | 1        |
| J5       | Label, Serial Number, UL/CSA Mark             | 157249-04        | 1        |
| <b>K</b> | <b>Assembly, Roller Wheel, Double</b>         | <b>156586</b>    | <b>1</b> |
| K1       | Bracket, Roller Wheel                         | 156522           | 1        |
| K2       | Wheel, Roller                                 | 151799           | 2        |
| K3       | Screw, 1/4-20 X 1 1/2 Hex Head Cap            | 151914           | 2        |
| K4       | Washer, 1/4 SAE Flat                          | 151915           | 2        |
| K5       | Nut, 1/4-20 Hex                               | 151893           | 2        |
| <b>L</b> | <b>Assembly, Splash Curtain</b>               | <b>155901-MK</b> | <b>1</b> |
| L1       | Curtain, Splash                               | 134841           | 1        |
| L2       | Bracket, Splash Curtain                       | 155901           | 1        |
| L3       | Washer, 1/4 SAE Flat                          | 151915           | 1        |
| L4       | Wingscrew, 1/4-20 X 1/2                       | 151888           | 1        |
| <b>M</b> | <b>Table</b>                                  | <b>n/a</b>       | <b>-</b> |
| M1       | Table, Composite, 370/470                     | 156536           | 1        |
| M2       | Screw, 5/16-18 X 1 Hex Head Cap               | 151743           | 2        |
| M3       | Washer, 5/16 Split Lock                       | 151747           | 2        |
| M4       | Washer, 5/16 SAE Flat                         | 151754           | 2        |
| <b>N</b> | <b>Assembly, PES-100 120v Water Pump</b>      | <b>155987-MK</b> | <b>1</b> |
| N1       | Pump, Water, PES-100 120v                     | 155987           | 1        |
| N1A      | Pump, Water, 100v                             | 154812           | 1        |
| N1B      | Pump, Water, 230v                             | 156181           | 1        |
| N3       | Hose, Vinyl, 1/4 ID                           | 132951           | 2'       |
| N4       | Clamp, Flow, 1/4-1/2                          | 154394           | 1        |
| N5       | Owner's Manual, Water Pump                    | 155745           | 1        |

Ryobi Motor



| ITEM | DESCRIPTION                  | PART #  | QTY |
|------|------------------------------|---------|-----|
| 1    | GEAR SHAFT                   | 6110298 | 1   |
| 2    | PARALLEL KEY 5X5X14          | 6100224 | 1   |
| 3    | GEAR CASE COVER              | 6821489 | 1   |
| 4    | FLAT TAPPING SCREW (S) M4X12 | 9150412 | 4   |
| 5    | WASHER t=1.6                 | 6901213 | 1   |
| 6    | BALL BEARING #6203LLH        | 9896203 | 1   |
| 7    | BEARING PLATE t=1.6          | 6155821 | 1   |
| 8    | TAPPING SCREW (S) M4X10      | 9040410 | 4   |
| 9    | COLLAR                       | 6900120 | 1   |
| 10   | FINAL GEAR                   | 6200907 | 1   |
| 11   | RETAINING RING S-17          | 9511700 | 1   |
| 12   | BALL BEARING #6001LLB        | 9846001 | 1   |
| 13   | GEAR CASE                    | 6821486 | 1   |
| 14   | BUSH                         | 6760285 | 1   |
| 15   | O RING S-35                  | 6930245 | 1   |
| 16   | BALL BEARING #6202LLB        | 9846202 | 1   |
| 17   | WASHER t=1.6                 | 6901212 | 1   |
| 18   | O-RING P-16                  | 9760016 | 1   |
| 19   | ARMATURE 120V                | 6034942 | 1   |
| 20   | FAN CASING                   | 6490464 | 1   |
| 21   | FIELD COIL 120V              | 6502980 | 1   |
| 22   | TAPPING SCREW (B) M5X75      | 9060575 | 2   |
| 23   | DUST COLLAR                  | 6901211 | 1   |
| 24   | BALL BEARING #6200LLB        | 9846200 | 1   |
| 25   | BEARING HOUSE                | 6190868 | 1   |
| 26   | O RING S-30                  | 6930247 | 1   |
| 27   | MOTOR HOUSING                | 6803938 | 1   |
| 28   | NAME PLEAT 120V              | 6917563 | 1   |
| 29   | SPRING WASHER M6             | 9550600 | 4   |
| 30   | PHILLIPS PAN SCREW M6X25     | 9000625 | 4   |
| 31   | TAPPING SCREW (S) M4X14      | 9040414 | 2   |
| 32   | TAPPING SCREW (B) M4X16      | 9060416 | 2   |
| 33   | BRUSH HOLDER                 | 6570133 | 2   |
| 34   | CARBON BRUSH 613GN           | 6541667 | 1   |
| 35   | BRUSH CAP                    | 6570134 | 2   |
| 500  | FLANGE                       | 6940756 | 1   |
| 501  | HEX BOLT M10X20              | 6131616 | 1   |
| 502  | WASHER 10.5X21X2             | 9571000 | 1   |
| 503  | SINGLE-END WRENCH 17         | 6240533 | 2   |

## THEORY OF DIAMOND BLADES

---

Diamond blades do not really cut; they grind the material through friction. Diamond crystals, often visible at the leading edge and sides of the rim/segment, remove material by scratching out particles of hard, dense materials, or by knocking out larger particles of loosely bonded abrasive material. This process eventually cracks or fractures the diamond particle, breaking it down into smaller pieces. As a result, a diamond blade for cutting soft, abrasive material must have a hard metal matrix composition to resist this erosion long enough for the exposed diamonds to be properly utilized. Conversely, a blade for cutting a hard, non-abrasive material must have a soft bond to ensure that it will erode and expose the diamonds embedded in the matrix. These simple principles are the foundation of “controlled bond erosion.”



## TYPES OF CUTTING

---

There are two basic types of cutting-Dry or Wet. The choice of which type of blade to use depends on:

- The requirements of the job
- The machine/tool utilizing the diamond blade
- The preference of the operator

In the case of DRY cutting, the overwhelming popularity and quantity of hand-held saws and the flexible nature of MK Diamond blades to professionally handle most ceramic, masonry, stone and concrete materials, make the DRY cutting blade a very attractive tool. When using a DRY blade, the user must be aware of distinct operating practices to ensure optimum performance. DRY cutting blades require sufficient airflow about the blade to prevent overheating of the steel core. This is best accomplished by shallow, intermittent cuts of the material with periods of “free-spinning” (for several seconds) between each cut, to maximize the cooling process.

For WET cutting applications, MK has the exact blade to compliment both the material to be cut and the wet cutting machine to be used. During cutting operations, liberal amounts of water act as a coolant to support the cutting effectiveness and longevity of the WET blade. Additionally, using water adds to the overall safety of cutting operations by keeping the dust signature down.

Know All You Can About the Material You Wish to Cut

| ITEM | NUMBER    | DESCRIPTION                                                                                          |                                                                                       |
|------|-----------|------------------------------------------------------------------------------------------------------|---------------------------------------------------------------------------------------|
| 1.   | 137166    | <b>MK-200, 10" x 5/8 Arbor</b><br>Premium grade Diamond Blade for smooth, chip-free cutting on tile. |    |
| 2.   | 128074    | <b>MK-215, 10" x 5/8 Arbor</b><br>Supreme grade diamond blade for hard materials                     |    |
| 3.   | 153252    | <b>MK-315, 10" x 5/8 Arbor</b><br>Supreme super hi-rim diamond blade                                 |    |
| 4.   | 134577-MK | <b>Dual 45° Flat Angle Guide</b>                                                                     |    |
| 5.   | 134551-MK | <b>Rip Guide</b>                                                                                     |  |
| 5.   | 134569-MK | <b>90° Protractor</b>                                                                                |  |
| 6.   | 152792    | <b>Dressing Stone</b>                                                                                |  |



## **ORDERING INFORMATION**

---

You may order MK Diamond products through your local MK Diamond distributor or, you may order direct from MK Diamond.

**NOTE:** There is a \$25.00 minimum order when ordering direct from MK Diamond. All purchases must be made using VISA, MasterCard or American Express.

When ordering direct from MK Diamond, please have the following information ready before calling:

- The Model Number of the saw
- The Serial Number of the saw
- Where the saw was purchased and when
- The Part Number for the part(s) being ordered
- The Part Description for the part(s) being ordered

All parts may be ordered by calling toll free to – 800 421-5830 or 310 539-5221 and asking for Customer Service. For technical questions, call – 800 474-5594.

## **RETURN MATERIALS POLICY**

---

To expedite the service relative to the return of a product purchased through MK Diamond, please observe the following:

**NOTE:** When returning all items, they must have been purchased within the previous twelve (12) months.

- Have the Model Number of the saw
- Have the Serial Number of the saw
- Have the location of where the saw was purchased
- Have the date when the saw was purchased
- Contact Customer Service for approval to return the item(s)
- Obtain a Returned Goods Number (RGA) authorizing the return
- Follow the packaging instructions in the following section
- Ensure your item(s) are prepaid to the destination

For returned items, call toll free to – 800 421-5830 or 310 539-5221 and ask for Customer Service. For technical questions, call – 800 474-5594 or 310 257-2845.

## **PACKAGING INSTRUCTIONS**

---

- Remove the Cutting Head and Support Angle Assembly
- Dry the saw before shipping
- When packing, include the following: MK-370, Diamond Blade, Blade Guard and Support Angle Assembly and Adjustable Cutting Guide (Other Accessories are not required)
- Package the unit in its original container or one of comparable size (do not ship the unit partially exposed)
- Ensure all parts are secured in the packaging to prevent moving

## **AUTHORIZED SERVICE CENTERS**

---

For quicker repair time, you may contact MK Diamond Customer Service, toll free, at 800 421-5830 or 310 539-5221 for the Authorized Service Center closest to you or visit our web site at [www.mkdiamond.com](http://www.mkdiamond.com). For technical questions, call – 800 474-5594.

**MK-370 TILE SAW**  
**OWNERS MANUAL & OPERATING INSTRUCTIONS**



**MK Diamond Products, Inc.**

MK Diamond Products, Inc.  
1315 Storm Parkway  
Torrance, CA 90501

Toll-Free: (800) 421-5830  
Phone: (310) 539-5221  
Fax: (310) 539-5158  
[www.mkdiamond.com](http://www.mkdiamond.com)