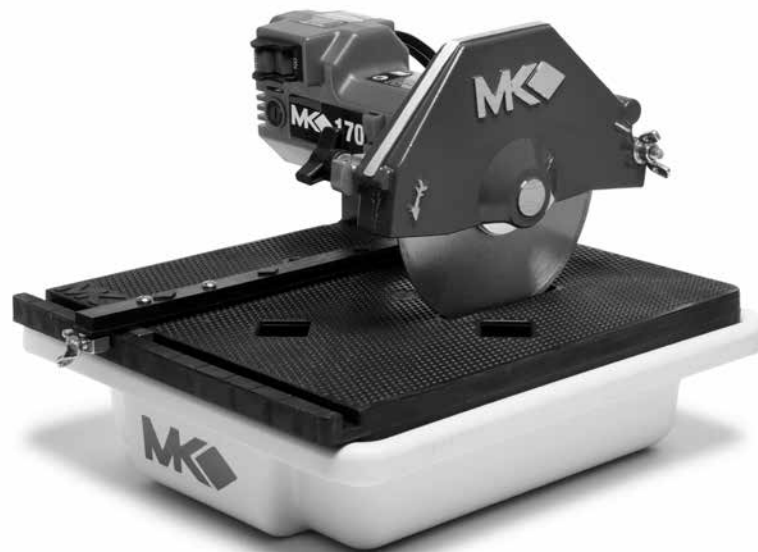


MK-170 TILE SAW

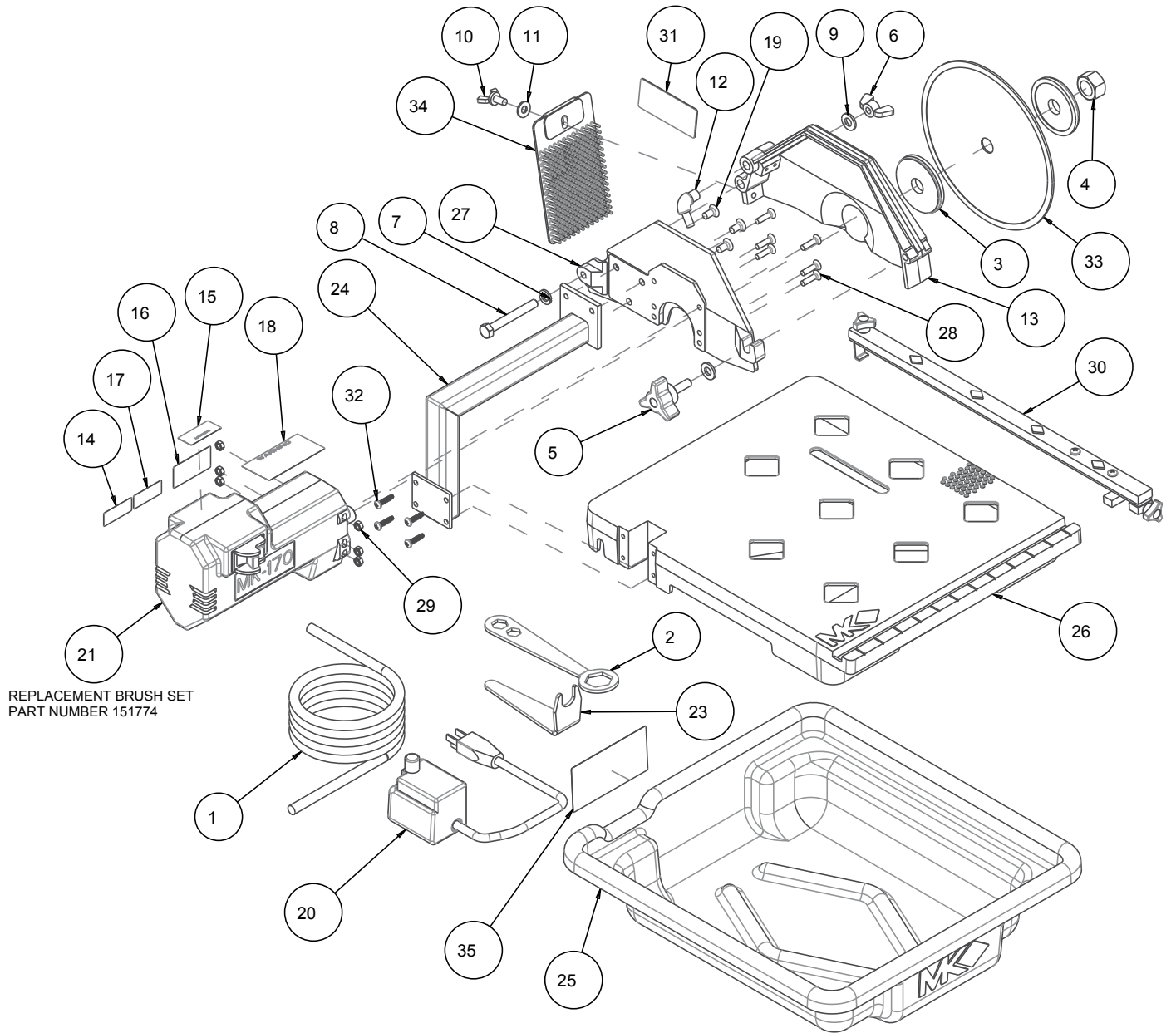
PARTS LIST



Revision 111	01.2020
Manual 157243	

Caution: Read all safety and operating instructions before using this equipment. This parts list **MUST** accompany the equipment at all times.

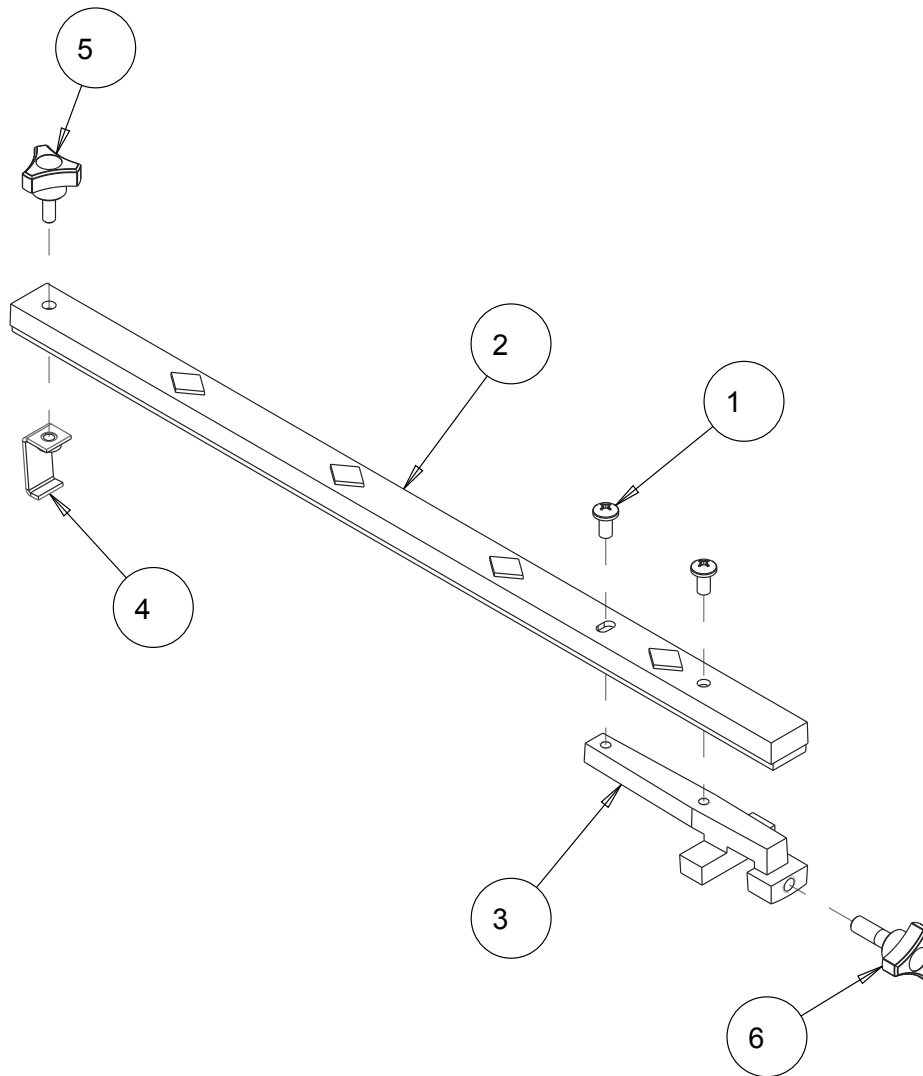
MK-170 TILE SAW PART # 157222



MK-170 TILE SAW PART # 157222

Item	Description	Part #	Qty
1	HOSE, VINYL, 1/4X3/8 (6.0')	132951	1
2	WRENCH, TILE SAW NUT 15/16	134684	1
3	FLANGE, OUTER, 2-3/8	135830	2
4	NUT, HEX, 5/8-18	135848	1
5	KNOB, DAVIES, 5/16-18 X 1	151681	1
6	NUT, WING,NYLK, 5/16-18	151746	1
7	WASHER, LOCK, SPLIT, 5/16	151747	1
8	SCREW, HEX HD, TAP, 5/16-18X2-1/2	151748	1
9	WASHER, FLAT, SAE, 5/16	151754	2
10	SCREW, WING, 1/4-20 X 1/2	151888	1
11	WASHER, FLAT, SAE, 1/4	151915	1
12	ELBOW, 1/8 MNPT X 1/4 BARB 90DEG	154652	1
13	CASTING, BLADE GRD, 7" , COMP	154811	1
14	LABEL, CAUTION, RECPT FOR PUMP	154822	1
15	LABEL, SERVICE INFO	155038	1
16	LABEL, NOTICE, EXT CORDS	155672	1
17	LABEL, CAUTION, GFCI	155678	1
18	LABEL, WARNING, TILESAW SAFETY	155806	1
19	SCREW, FLAT HEAD, 1/4-20 X 1/2 PHIL	155812	3
20	PUMP, WATER 115V, 60HZ	155987-VP	1
21	MTR, 5.0 AMP 115V 50/60HZ	157226-G	1
22	OWNERS MANUAL MK-170	157243	1
23	WRENCH, 90 DEG X 11/16 OPEN END	157244	1
24	ARM, MTR SUPPORT 170	157245	1
25	PAN, PLASTIC MK170	157252	1
26	TABLE MK-170 COMP	157253	1
27	CASTING, 170, MOTOR MOUNT, COMP	157403	1
28	SCREW, FLAT HD, M5-.8X16MM	157404	6
29	NUT, HEX, M5-.8	157405	6
30	ASSY, FENCE MK-170	157406	1
31	TAG, SERIAL NUMBER, BLANK	157500-RW	1
32	SCREW, PAN HD, #8-16X3/4	157505	4
33	MK-HDTCM WET 7X060 X 7/8 CONT	157913	1
34	GUARD, SPLASH	160310	1
35	LABEL, WARNING, SILICA, PROP 65	164202	1

MK-170 TILE SAW, ASSY, FENCE PART #157406



Item	Description	Part #	Qty
1	SCREW, PAN HD, #10-24X3/8	151097	2
2	FENCE, UPPER, MK-170	157247	1
3	FENCE, LOWER, MK-170	157248	1
4	CLIP, FENCE, MK-170	157559	1
5	KNOB, 3 PRONG 10-32X1/2	157583-1	1
6	KNOB, 3 PRONG 1/4-20X3/4	157583-2	1

THEORY OF DIAMOND BLADES

Diamond blades do not really cut; they grind the material through friction. Diamond crystals, often visible at the leading edge and sides of the rim/segment, remove material by scratching out particles of hard, dense materials, or by knocking out larger particles of loosely bonded abrasive material. This process eventually cracks or fractures the diamond particle, breaking it down into smaller pieces. As a result, a diamond blade for cutting soft, abrasive material must have a hard metal matrix composition to resist this erosion long enough for the exposed diamonds to be properly utilized. Conversely, a blade for cutting a hard, non-abrasive material must have a soft bond to ensure that it will erode and expose the diamonds embedded in the matrix. These simple principles are the foundation of “controlled bond erosion.”



TYPES OF CUTTING

There are two basic types of cutting-Dry or Wet. The choice of which type of blade to use depends on:

- The requirements of the job
- The machine/tool utilizing the diamond blade
- The preference of the operator

In the case of DRY cutting, the overwhelming popularity and quantity of hand-held saws and the flexible nature of MK Diamond blades to professionally handle most ceramic, masonry, stone and concrete materials, make the DRY cutting blade a very attractive tool. When using a DRY blade, the user must be aware of distinct operating practices to ensure optimum performance. DRY cutting blades require sufficient airflow about the blade to prevent overheating of the steel core. This is best accomplished by shallow, intermittent cuts of the material with periods of “free-spinning” (for several seconds) between each cut, to maximize the cooling process.

For WET cutting applications, MK has the exact blade to compliment both the material to be cut and the wet cutting machine to be used. During cutting operations, liberal amounts of water act as a coolant to support the cutting effectiveness and longevity of the WET blade. Additionally, using water adds to the overall safety of cutting operations by keeping the dust signature down.

Know All You Can About the Material You Wish to Cut

ORDERING INFORMATION

You may order MK Diamond products through your local MK Diamond distributor or, you may order direct from MK Diamond.

When ordering direct from MK Diamond, please have the following information ready before calling:

- The Model Number of the saw
- The Serial Number of the saw
- Where the saw was purchased and when
- The Part Number for the part(s) being ordered
- The Part Description for the part(s) being ordered

NOTE: Standard orders are \$50.00 or more when ordering direct from MK Diamond. A \$6.00 charge will be added to orders having a net billing value under \$50.00. A nominal handling fee of \$5.00 may apply to some orders.

All parts may be ordered by calling toll free to – 800 421-5830 or 310 539-5221 and asking for Customer Service. For technical questions, call – 800 474-5594.

RETURN MATERIALS POLICY

To expedite the service relative to the return of a product purchased through MK Diamond, please observe the following:

NOTE: When returning all items, they must have been purchased within the previous twelve (12) months.

- Have the Model Number of the saw
- Have the Serial Number of the saw
- Have the location of where the saw was purchased
- Have the date when the saw was purchased
- Contact Customer Service for approval to return the item(s)
- Obtain a Returned Goods Number (RGA) authorizing the return
- Follow the packaging instructions in the following section
- Ensure the RGA number is on the outside of the returned package
- Ensure your item(s) are prepaid to the destination

For returned items, call toll free to – 800 421-5830 or 310 539-5221 and ask for Customer Service.

PACKAGING INSTRUCTIONS

- Remove the Cutting Head and Support Angle Assembly
- Dry the saw before shipping
- When packing, include the following: Saw, Diamond Blade, Blade Guard and Support Angle Assembly and Adjustable Cutting Guide (Other Accessories are not required)
- Package the unit in its original container or one of comparable size (do not ship the unit partially exposed)
- Ensure all parts are secured in the packaging to prevent moving

AUTHORIZED SERVICE CENTERS

For quicker repair time, you may contact MK Diamond Customer Service, toll free, at 800 421-5830 or 310 539-5221 for the Authorized Service Center closest to you or visit our web site at www.mkdiamond.com. For technical questions, call – 800 474-5594.

CONTACT

Please contact MK Diamond Products, Inc. Customer Service Department with any questions you might have regarding distributors, parts or service.

Telephone: **(800) 421-5830**

Fax: **(310) 539-5158**

E-mail: **Customer_Service@MKDiamond.com**

Customer Service Hours: **Monday through Friday, 6AM-4PM PST**

MK Diamond Products, Inc.

1315 Storm Parkway

Torrance, CA 90501

MK DIAMOND PRODUCTS, INC. LIMITED WARRANTY

MK DIAMOND PRODUCTS, INC. will guarantee every machine they build, to be free from defects in material and workmanship for (1) one year from date of purchase. The obligation of MK DIAMOND PRODUCTS, INC. under this warranty is limited to the repair or replacement of any parts which, under normal use, prove to be defective in material or workmanship. The parts involved or the unit in question should be returned to MK DIAMOND PRODUCTS, INC. or to a point designated by us, transportation prepaid.

This warranty does not obligate us to bear the cost of labor or transportation charges in connection with replacement or repair of defective parts. Likewise, it shall NOT apply to any unit which has been subjected to misuse, neglect or accident. This warranty does NOT apply to any machine which has been repaired or altered outside our factory.

This warranty does NOT obligate MK DIAMOND PRODUCTS, INC., with respect to items not of our manufacture, such as engines, motors, hydraulics, etc., which are subject to their own guarantees and warranties.

We shall in no event be liable for consequential damages or contingent liabilities arising out of failure of any equipment or parts to operate properly.

WARRANTY: For your (1) one year warranty to be effective, complete the online Product Registration as soon as possible. Visit **www.mkdiamond.com/registration**

© **COPYRIGHT 2019, MK DIAMOND PRODUCTS, INC. ALL RIGHTS RESERVED.**

The MK Diamond logo is a registered trademark of MK Diamond Products, Inc. and may not be used, reproduced, or altered without written permission. All other trademarks are the property of their respective owners and used with permission.

MK Diamond may have patents, patent applications, trade marks, copyrights of other intellectual property right covering this product in this document.

This manual MUST accompany the equipment at all times. This manual is considered a permanent part of the equipment and should remain with the unit if resold.

The information and specifications included in this publication were in effect at the time of approval for printing.

MK-170 TILE SAW
OWNER'S MANUAL & OPERATING INSTRUCTIONS



MK Diamond Products, Inc.

MK Diamond Products, Inc.
1315 Storm Parkway
Torrance, CA 90501

Toll-Free: (800) 421-5830
Phone: (310) 539-5221
Fax: (310) 539-5158
www.mkdiamond.com