

**MK DIAMOND CX-3E1, WITH
LEESON 1.5HP MOTOR
WALK-BEHIND CONCRETE SAW
PARTS LIST**



Revision 101	04.2019
Manual 171180-PM	

Caution: Read all safety and operating instructions before using this equipment. This parts list **MUST** accompany the equipment at all times.

INTRODUCTION

Congratulations on your purchase of a CX-3E1 Concrete Saw. We are certain that you will be pleased with your purchase. MK Diamond takes pride in producing the finest construction power tools and diamond blades in the industry.

Operated correctly, your CX-3E1 should provide you with years of service. In order to help you, we have included this parts manual. This manual contains exploded views and parts lists for your CX-3E1. Please take a few minutes to familiarize yourself with the components by reading and reviewing this manual.

If you should have questions, please feel free to call our friendly customer service department at: **(800) 421-5830**.

Regards,

MK Diamond

NOTE THIS INFORMATION FOR FUTURE USE:

MODEL NUMBER:	
SERIAL NUMBER:	
PURCHASE PLACE:	
PURCHASE DATE:	

WARRANTY: For your (1) one year warranty to be effective, complete the online Product Registration as soon as possible. Visit www.mkdiamond.com/registration/

TABLE OF CONTENTS

MK DIAMOND CX-3E1 WITH LEESON 1.5HP MOTOR

PAGE

INTRODUCTION

	NO.
Welcome	4
Safety Warnings	4

PARTS LIST

FIGURE 1 - PARTS LIST: MK-CX-3E1 CONC SAW - P/N 171180-220	5
FIGURE 2 - PARTS LIST: MK-CX-3E1 LESS MOTOR - P/N 165974-E1	8-9
FIGURE 3 - PARTS LIST: MK-CX-3E1 LESS MOTOR - P/N 165974-E1	10-11
FIGURE 4 - PARTS LIST: MK-CX-3E1 LESS MOTOR - P/N 165974-E1	12-13
FIGURE 5 - PARTS LIST: ASSY, FRONT AXLE - P/N 165975	14
FIGURE 6 - PARTS LIST: ASSY, BLADE SHAFT - P/N 165977-E1	15
FIGURE 7 - PARTS LIST: ASSY. 30A SWITCH BOX 2-MLTF1/2 - P/N 172834-8	16

WARNINGS

Each machine is supplied with an operating instruction manual. Follow instructions strictly to ensure long service in normal operation. For repairs and service parts, contact your authorized MK Diamond dealer.

**WARNING**

Failure to comply with these warnings and instructions could result in death or serious injury.

**WARNING**

Always park the machine on a level surface with the motor switch “OFF” and the power cord unplugged before performing any maintenance. **Let the machine cool down! Disconnect power cord.**

**WARNING**

This saw was designed for certain applications only. **DO NOT** modify this saw or use for any application other than for which it was designed. If you have any questions relative to its application, **DO NOT** use the saw until you have contacted your MK Diamond dealer. The manufacturer accepts no responsibility by unsuitable use or modifications.

FIGURE 1 - CX-3E1 CONC SAW - P/N 171180-220

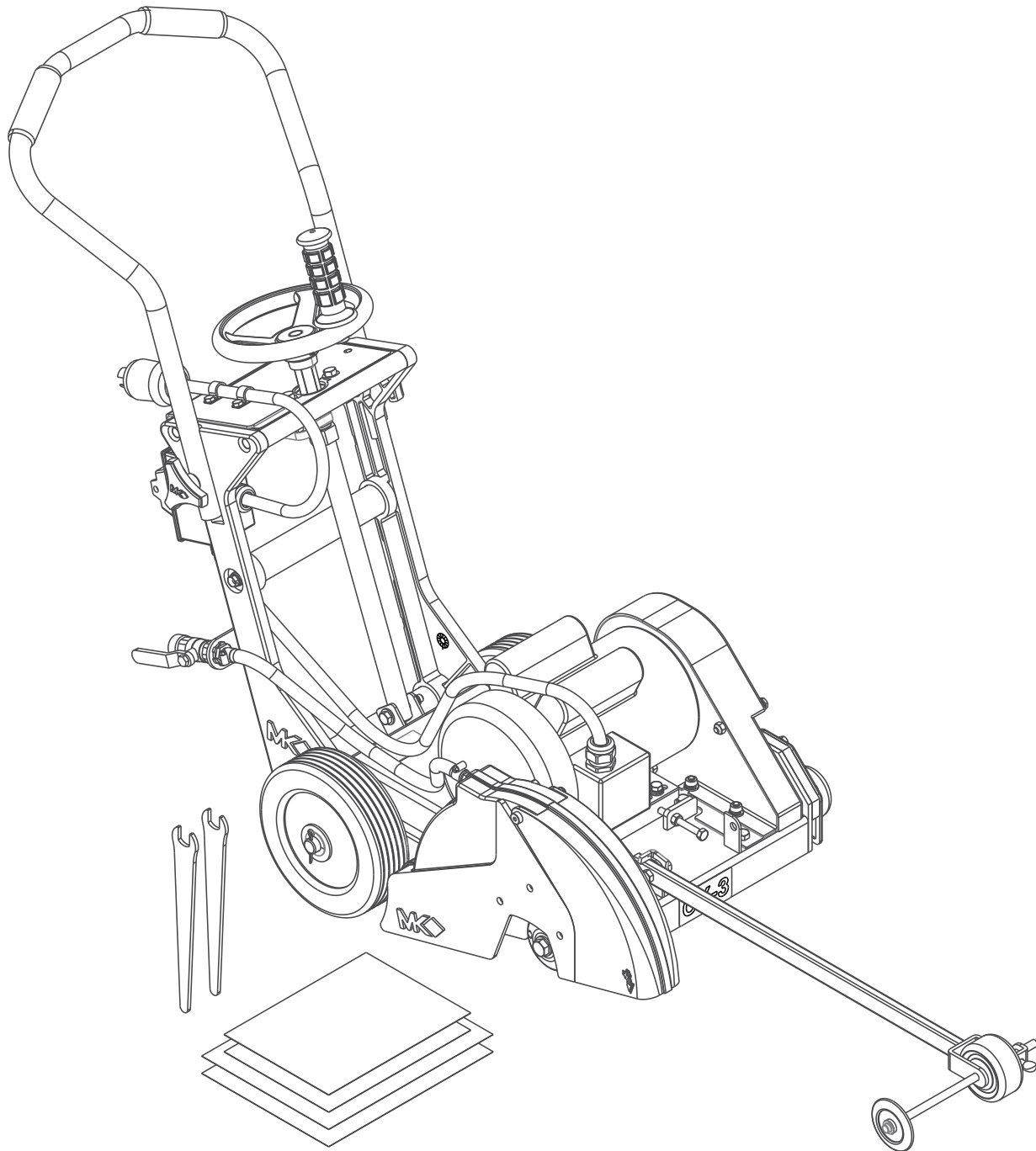


FIGURE 2 - CX-3E1 CONCR SAW LEESON 1.5 MOTOR - P/N 171180-220

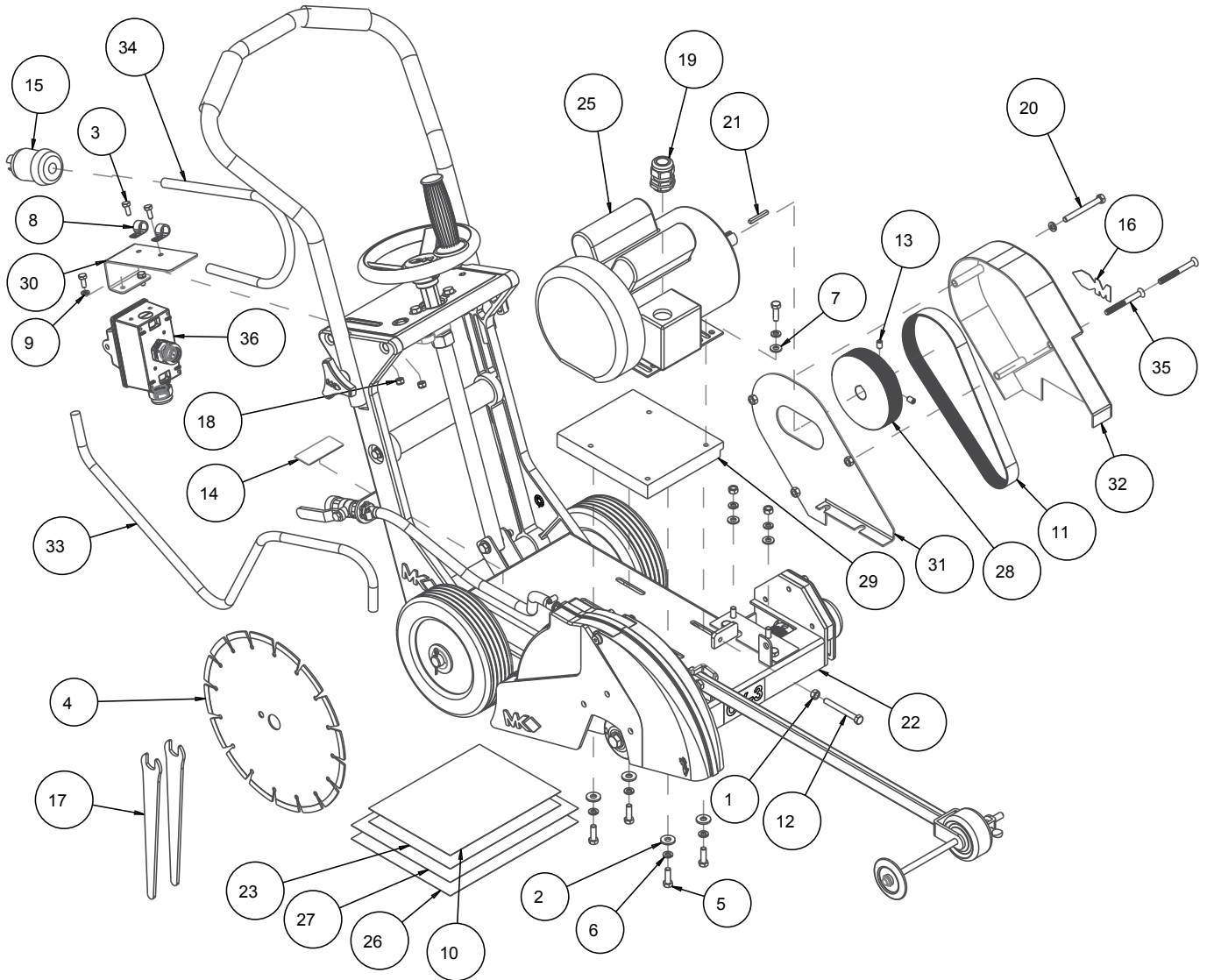


FIGURE 2 - CX-3E1 CONC SAW LEESON 1.5 MOTOR - P/N 171180-220

ITEM NO.	DESCRIPTION	PART #	QTY.
1	NUT, HEX, 5/16-18	101196	3
2	WASHER, 5/16 FLAT CUT	101352	4
3	SCREW, HEX HEAD, 1/4-20 X 5/8	150404	4
4	MK-314D 12x125x1	150621	1
5	SCREW, HEX HD, 5/16-18X1	151743	5
6	WASHER, LOCK, SPLIT, 5/16	151747	3
7	WASHER, FLAT, SAE, 5/16	151754	8
8	CLAMP, 1/2 CUSHION LOOP	152471	2
9	WASHER, LOCK, SPLIT, 1/4	152591	2
10	CARD, WARRANTY REGISTER SAW	155037	1
11	BELT, 10J280	156111	1
12	BOLT, 5/16-18 X 2-3/4 HEX HEAD TAP	156974	1
13	SCREW, 5/16-18 X 3/8 SOCKET HEAD SET	157084	2
14	TAG, SERIAL NUMBER BLANK	157500-RW	1
15	PLUG, 240V, L6-20P	157538	1
16	LOGO, MK ADHESIVE	157914	1
17	WRENCH, 3/4 OPEN END	159476	2
18	NUT, HEX, NYLK, 1/4-20	159857	2
19	CONNECTOR, CORD, LTF21	160675	1
20	SCREW, HEX HD, TAP, 5/16-18X3	162473	1
21	KEY, 3/16 SQR X 1-1/2	165347	1
22	MK-CX3E1 LESS MOTOR	165974-E1	1
23	ASSY, WARNING, LABELS, CONCRETE	166009	1
24	ASSY, CARTON, CX-3 PLAIN	167348	1
25	MTR, 1-1/2HP 115/208-230V 60HZ 1725RPM	171179	1
26	OWNER'S MANUAL, CX3E1	171180-OM	1
27	PARTS MANUAL, CX3E1	171180-PM	1
28	PULLEY, 10J50 X 7/8 BORE	171181	1
29	RISER, CX3E1 MOTOR, COMP	171221	1
30	BRACKET, SWITCH, CX3E1	171222	1
31	BELT, GUARD, INNER, CX3E1	171225	1
32	BELT, GUARD OUTER CX3E1	171226	1
33	CORD 10/3 SJOOW, BLACK (44")	171227	1
34	CORD 10/3 SJOOW, BLACK (28")	171227	1
35	SCREW, FLAT HD, 5/16-18X3	171248	2
36	ASSY, SWITCH BOX, 30A, 2-MLTP1/2	172836-8	1

FIGURE 3 - PARTS LIST: MK-CX-3E1 LESS MOTOR - P/N 165974-E1

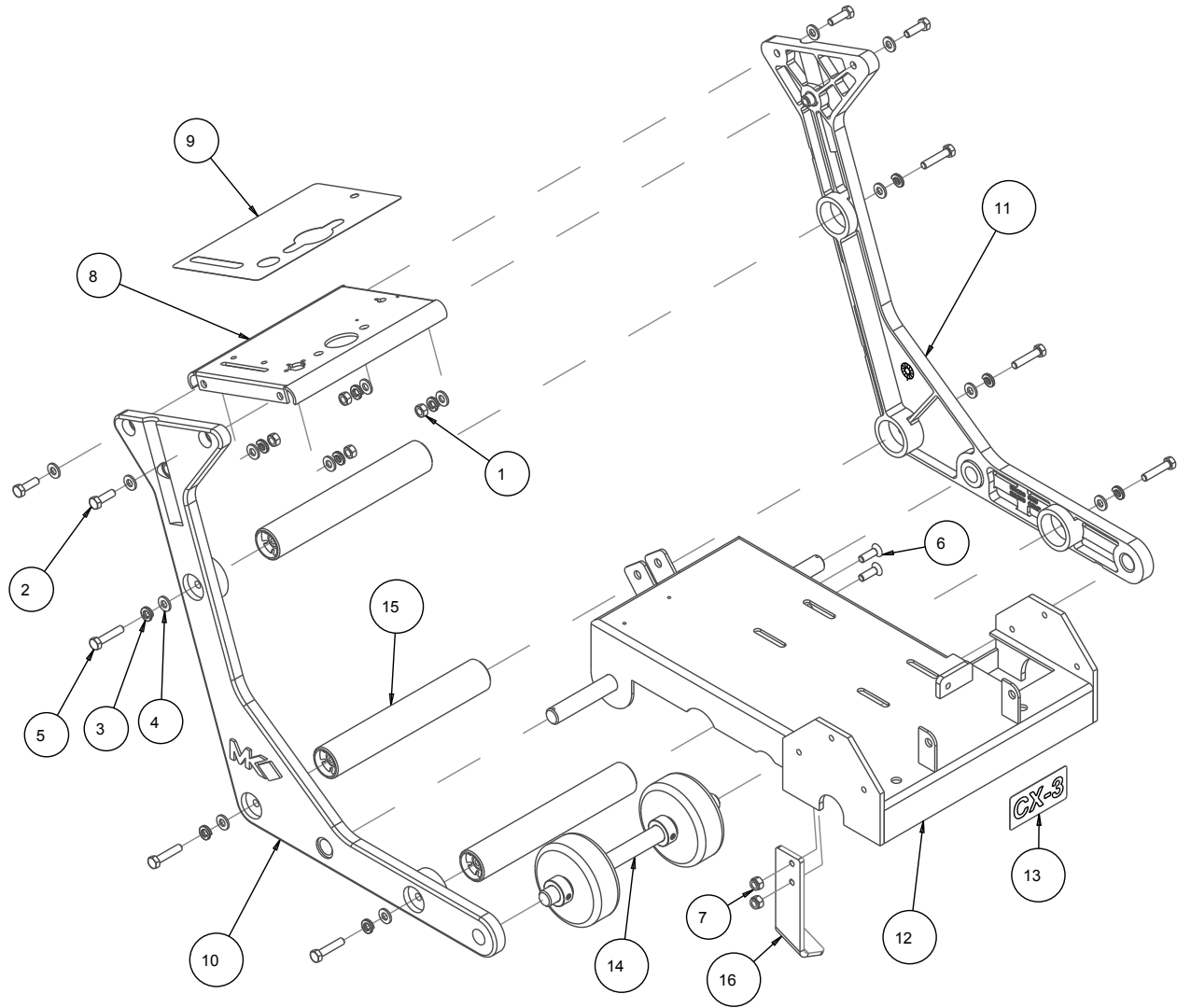


FIGURE 3 - PARTS LIST: MK-CX-3E1 LESS MOTOR - P/N 165974-E1

ITEM NO.	DESCRIPTION	PART #	QTY.
1	NUT, 5/16-18 HEX	101196	4
2	SCREW, HEX HD, 5/16-18 X 1	151743	4
3	WASHER, 5/16 SPLIT LOCK	151747	10
4	WASHER, 5/16 SAE FLAT	151754	14
5	SCREW, 5/16-18 X 1-1/2 HEX HEAD MACHINE	152467	6
6	SCREW, 5/16-18 X 1.0 FLAT HEAD SOCKET	155552	2
7	NUT, 5/16-18 NYLOK HEX	158289	2
8	CONSOLE, FRAME	158828	1
9	LABEL, CONSOLE, CX3	159208	1
10	CASTING, FRAME, RIGHT CX3-COMP	159257	1
11	CASTING, FRAME, LEFT CX3-COMP	159259	1
12	TRUCK, CX3	159260	1
13	LABEL, CX3	159482	1
14	ASSY, FRONT AXLE	165975	1
15	ASSY, FRAME SUPPORT	165978	3
16	BRACKET, UP STOP	165998	1

FIGURE 4 - PARTS LIST: MK-CX-3E1 LESS MOTOR - P/N 165974-E1

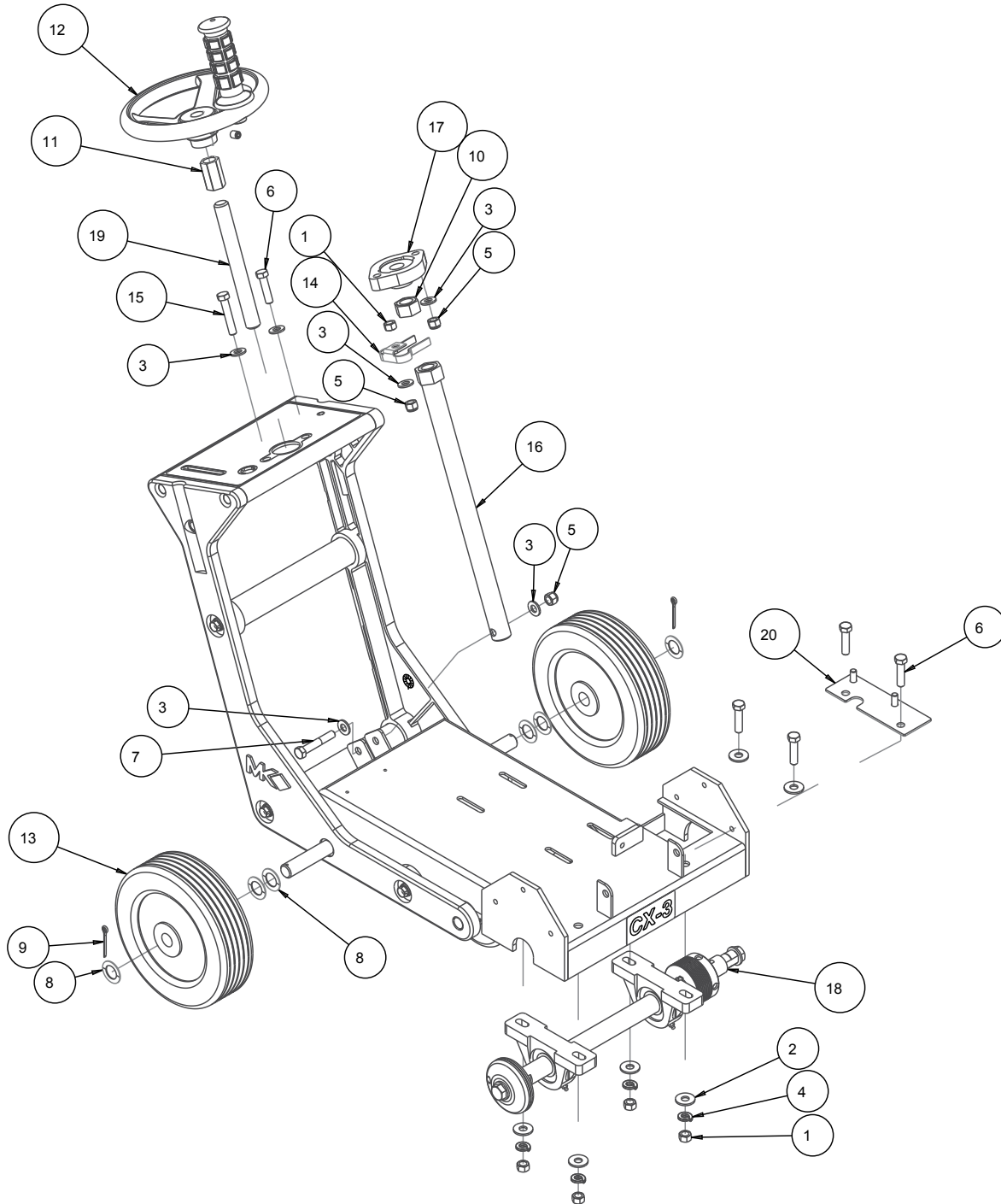


FIGURE 4 - PARTS LIST: MK-CX-3E1 LESS MOTOR - P/N 165974-E1

ITEM NO.	DESCRIPTION	PART #	QTY.
1	NUT, 3/8-16 HEX	101188	5
2	WASHER, FLAT USS 3/8	101360	6
3	WASHER, 3/8 SAE FLAT	150923	6
4	WASHER, 3/8 SPLIT LOCK	150925	4
5	NUT, 3/8-16 NYLOK HEX	152505	3
6	SCREW, 3/8-16 X 1-1/2 HEX HEAD	153528	5
7	SCREW, 3/8-16 X 2-1/4 HEX HEAD	153529	1
8	SHIM, .045 THK .750 ID 1.250 OD	153699	6
9	PIN, COTTER 1/8 X 1 1/2	153861	2
10	NUT, 3/4-10 HEX	155063	1
11	SPACER, DEPTH CONTROL	155161	1
12	ASSY, CRANK WHEEL, 3/4-10	155457	1
13	WHEEL, REAR 8"	155986	2
14	SPRING, DETENT	156609	1
15	SCREW, 3/8-16 X 2 HEX HEAD	156829	1
16	TUBE, DEPTH CTRL, 3/4-10	165970	1
17	BEARING, FLANGE, 3/4ID, FD204	165971	1
18	ASSY, BLADE SHAFT, CX-3E1	165977-E1	1
19	STUD, 3/4-10 X 7"	167980	1
20	PLATE, BELT GUARD, INNER, CX3E1	171224	1

FIGURE 5 - PARTS LIST: MK-CX-3E1 LESS MOTOR - P/N 165974-E1

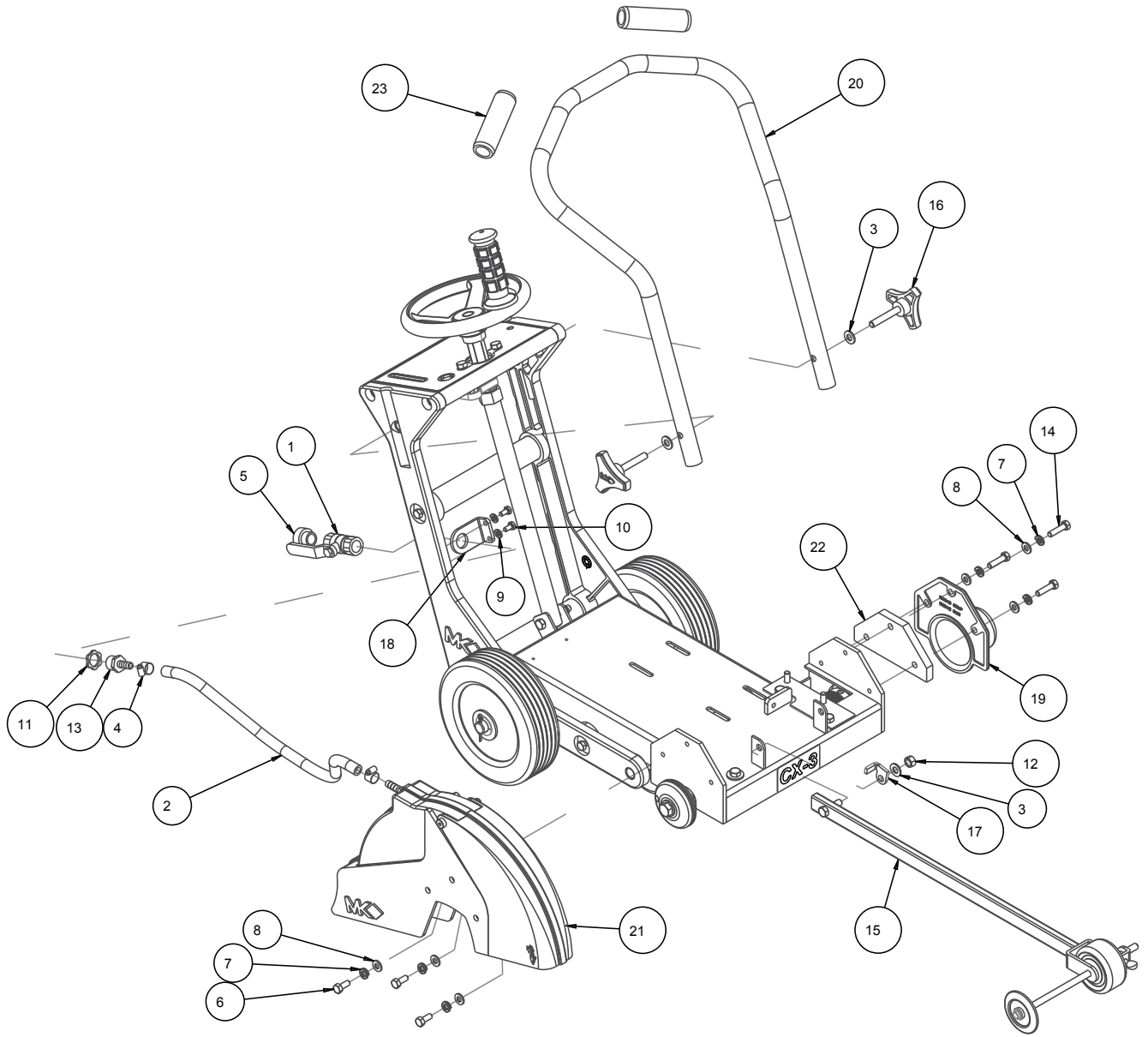
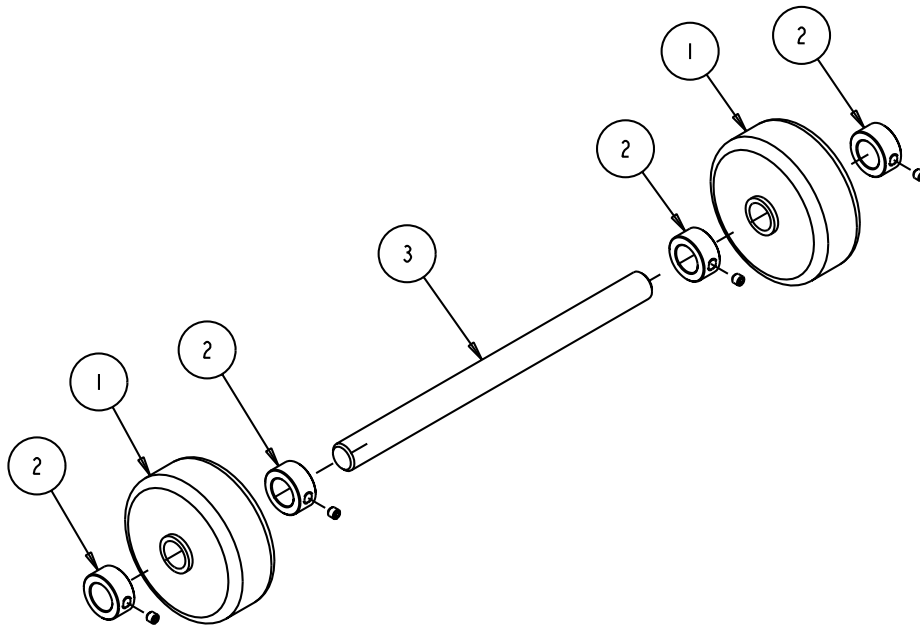


FIGURE 5 - PARTS LIST: MK-CX-3E1 LESS MOTOR - P/N 165974-E1

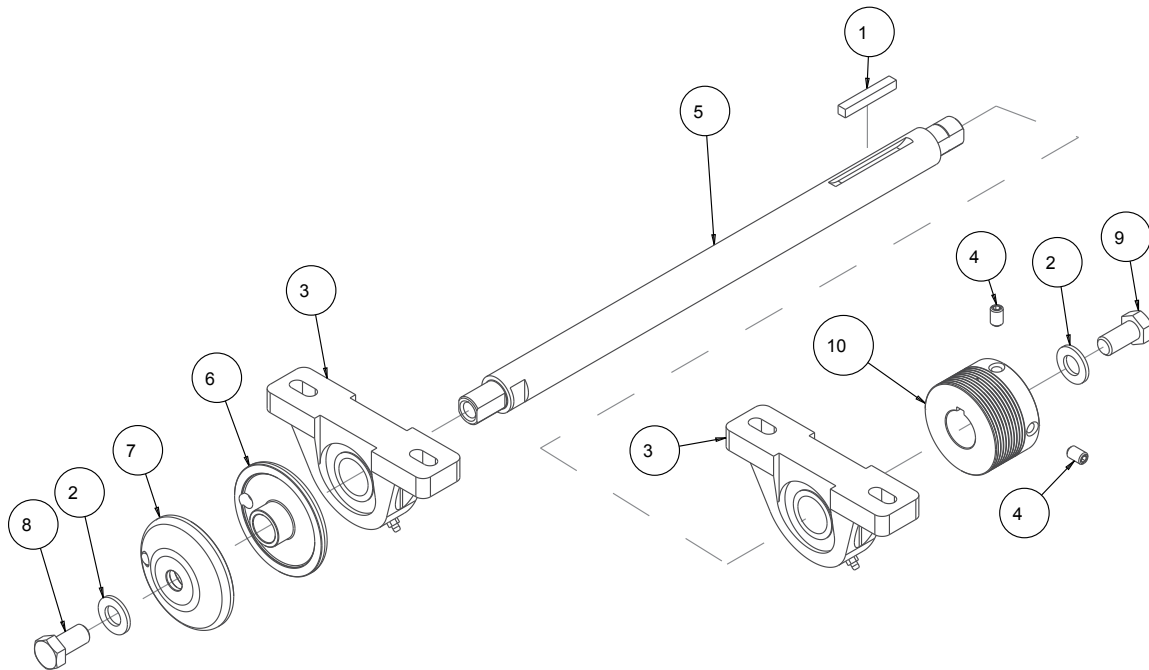
1	VALVE, BALL 1/2"	150843	1
2	HOSE, 3/8 X 5/8 VINYL, 30"	150845	1
3	WASHER, 3/8 SAE FLAT	150923	3
4	CLAMP, 5/8 HOSE	151198	2
5	FITTING, 1/2 MNPT X 3/4 FNH	151322	1
6	SCREW, HEX HD, CAP 5/16-18 X 3/4	151369	3
7	WASHER, LOCK, SPLIT, 5/16	151747	6
8	WASHER, 5/16 SAE FLAT	151754	6
9	WASHER, 1/4 SPLIT LOCK	152591	2
10	SCREW, 1/4-20 X 1/2 HEX HEAD	152608	2
11	NUT, LOCK STEEL 1/2" NPT	152729	1
12	NUT, 3/8-16 HEX CENTERLOCK	153522	1
13	FITTING, 1/2 MNPT X 3/8 BARB	153653	1
14	SCREW, HEX HD, 5/16-18X1-1/4	153950	3
15	ASSY, POINTER ARM	155568	1
16	KNOB, TRI PLASTIC MK-770 2-1/4	156770-04	2
17	CLIP, STOP	157837	1
18	BRACKET, WATER VALVE	158833	1
19	GUARD, SHAFT (COMP)	158843	1
20	HANDLEBAR	158849	1
21	ASSY, 14" BLADEGUARD	165976	1
22	SPACER, SHAFT GUARD, CX3E1	171228	1
23	GRIP, HANDLE	229413	2

FIGURE 6 - PARTS LIST: ASSY, FRONT AXLE - P/N 165975



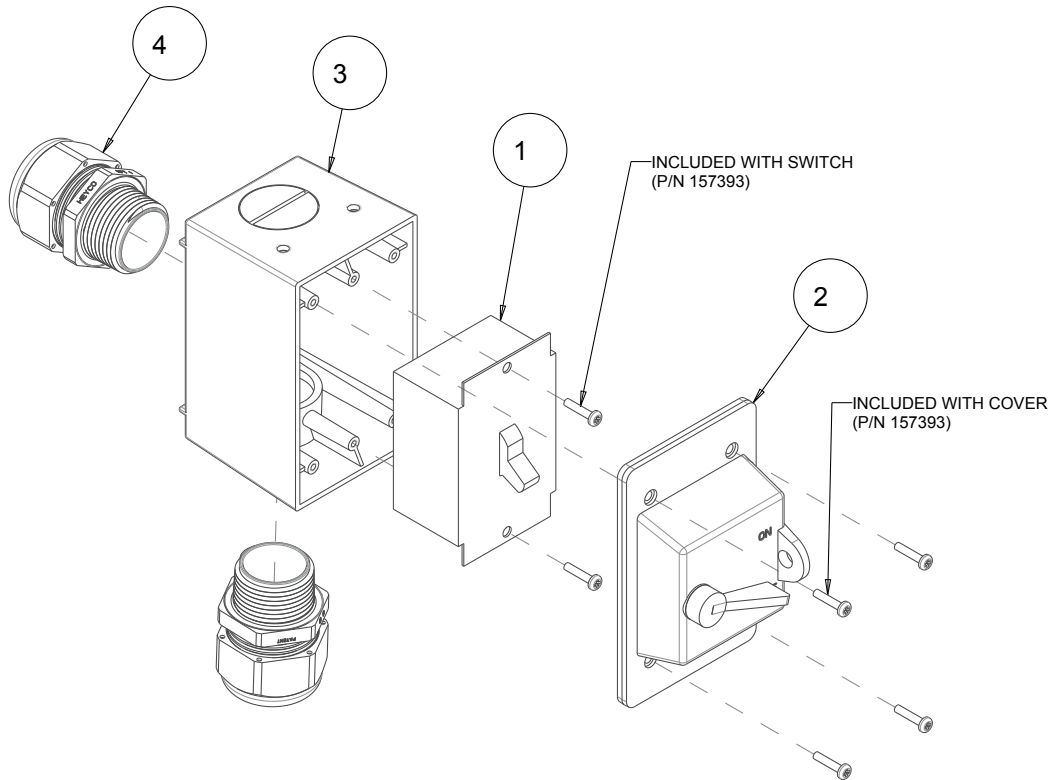
ITEM NO.	DESCRIPTION	PART #	QTY.
1	WHEEL, FRONT, 04 X 1-1/2W	150830	2
2	COLLAR, SET, 3/4"	153814	4
3	AXLE, FRONT	158862	1

FIGURE 7 - PARTS LIST: ASSY, BLADE SHAFT - P/N 165977-E1



ITEM NO.	DESCRIPTION	PART #	QTY.
1	KEY, SQUARE, 1/4 X 1-3/4	150796	1
2	WASHER, 1/2 SAE FLAT	150924	2
3	BEARING, PILLOW BLK 1"	155072	2
4	SCREW, 5/16-18 X 3/8 SOCKET HEAD SET	157084	2
5	SHAFT, BLADE	158879	1
6	FLANGE, INNER	158880	1
7	ASSY, FLANGE, OUTER	158881	1
8	SCREW, 1/2-13 X 1 HEX HEAD CAP, LH	159203	1
9	SCREW, 1/2-13 X 1 HEX HEAD CAP	159204	1
10	PULLEY, 10J25 X 1 BORE	171183	1

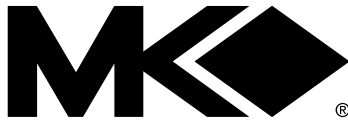
FIGURE 8 - CX-3E1 CONC SAW ASSY, 30A SWITCH BOX, 2-MLTF1/2 - P/N 172836-8



ITEM NO.	DESCRIPTION	PART #	QTY.
1	SWITCH, 30A, 120/240-277V 5HP	159488	1
2	COVER, 30A SWITCH, PLAS	171264-P	1
3	BOX, DEEP, 30A SWITCH, RAW	172842	1
4	CONNECTOR, CORD, LTF1	172843	2

NOTES

MK DIAMOND CX-3E1
PARTS LIST



MK Diamond Products, Inc.

MK Diamond Products, Inc.
1315 Storm Parkway
Torrance, CA 90501

Toll-Free: (800) 421-5830
Phone: (310) 539-5221
Fax: (310) 539-5158
www.mkdiamond.com