

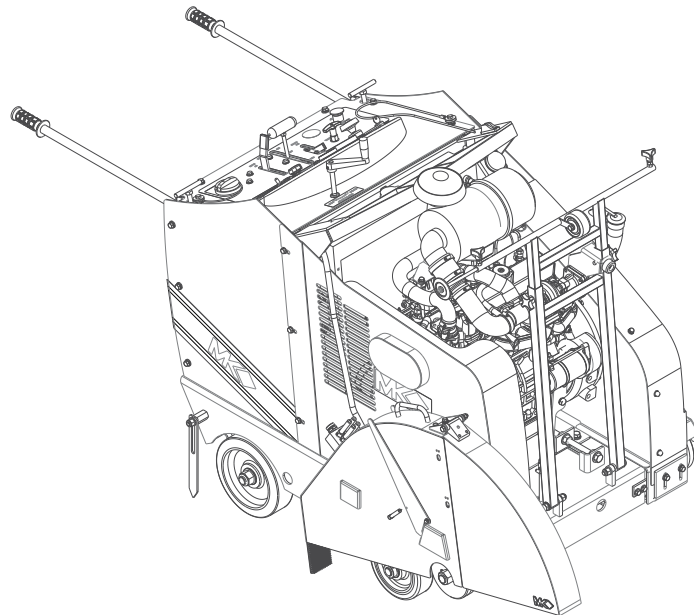


MK Diamond Products, Inc.

www.mkdiamond.com

MK-6000KB SERIES CONCRETE SAW PARTS LIST & EXPLODED VIEWS

Models: MK-6020KB
MK-6026KB
MK-6030KB
MK-6036KB



MK-6036KB

| | |
|---------------------|---------|
| Revision 203 | 06.2018 |
| Manual Part# 169573 | |

Caution: Read all safety and operating instructions before using this equipment. This parts list **MUST** accompany the equipment at all times.



MK Diamond Products, Inc.

INTRODUCTION

Congratulations on your purchase of a MK-6000KB Concrete Saw. We are certain that you will be pleased with your purchase. MK Diamond takes pride in producing the finest construction power tools and diamond blades in the industry.

Operated correctly, your MK-6000KB Concrete Saw should provide you with years of service. In order to help you, we have included this manual. This owners manual contains information necessary to operate and maintain your MK-6000KB Concrete Saw safely and correctly. Please take the time to familiarize yourself with the MK-6000KB Concrete Saw by reading and reviewing this manual.

Read and follow all safety, operating and maintenance instructions.

If you should have questions concerning your MK-6000KB Concrete Saw, please feel free to call our friendly customer service department at: 800 421-5830

Regards,

MK Diamond

NOTE THIS INFORMATION FOR FUTURE USE:

| | |
|------------------------|--|
| MODEL NUMBER: | |
| SERIAL NUMBER: | |
| PURCHASE PLACE: | |
| PURCHASE DATE: | |

NOTE: For your (1) one year warranty to be effective, complete the warranty card (including the Serial Number) and mail it in as soon as possible.

TABLE OF CONTENTS

| CONTENTS | PAGE # |
|---|---------------|
| FIGURE 1 - PARTS LIST: MK-6020KB CONCRETE SAW - P/N 165149-20 | 6-7 |
| FIGURE 2 - PARTS LIST: MK-6026KB CONCRETE SAW - P/N 165149-26 | 8-9 |
| FIGURE 3 - PARTS LIST: MK-6030KB CONCRETE SAW - P/N 165149-30 | 10-11 |
| FIGURE 4 - PARTS LIST: MK-6036KB CONCRETE SAW - P/N 165149-36 | 12-13 |
| FIGURE 5 - PARTS LIST: MK-6000KB SUB ASSEMBLY - P/N 165149 | 14-16 |
| FIGURE 6 - PARTS LIST: ASSY, ENGINE, KUBOTA, 59HP - P/N 165153 | 18-19 |
| FIGURE 7 - PARTS LIST: ASSY, 7" AIR CLEANER - P/N 165290 | 20 |
| FIGURE 8 - PARTS LIST: ASSY, INSTRUMENT PANEL - P/N 169142 | 21 |
| FIGURE 9 - PARTS LIST: ASSY, RADIATOR - P/N 169103 | 22 |
| FIGURE 10 - PARTS LIST: ASSY, RADIATOR FAN - P/N 169393 | 23 |
| FIGURE 11 - PARTS LIST: ASSY, MK-6000KB SUB A - P/N 165151 | 24 |
| FIGURE 12 - PARTS LIST: ASSY, MK-6000KB SUB B - P/N 165151 | 25 |
| FIGURE 13 - PARTS LIST: ASSY, MK-6000KB SUB C - P/N 165151 | 26-27 |
| FIGURE 14 - PARTS LIST: ASSY, MK-6000KB SUB D - P/N 165151 | 28 |
| FIGURE 15 - PARTS LIST: ASSY, DEPTH STOP - P/N 165602 | 30 |
| FIGURE 16 - PARTS LIST: ASSY, FUEL TANK - P/N 165601 | 31 |
| FIGURE 17 - PARTS LIST: ASSY, CONTROL PANEL, P/N 165336 | 32 |
| FIGURE 18 - PARTS LIST: ASSY, CONTROLHEAD, FNR - P/N 168753 | 33 |
| FIGURE 19 - PARTS LIST: ASSY, UP/DOWN CONTROL - P/N 167233 | 34 |
| FIGURE 20 - PARTS LIST: ASSY, WATER VALVE - P/N 164161 | 35 |
| FIGURE 21 - PARTS LIST: ASSY, POINTER FRONT - P/N 169111 | 36 |
| FIGURE 22 - PARTS LIST: ASSY, REAR POINTER - P/N 163824 | 37 |
| FIGURE 23 - PARTS LIST: ASSY, SHAFT GUARD - P/N 166056 | 38 |
| FIGURE 24 - PARTS LIST: ASSY, FRAME SUB - P/N 165160 | 39 |
| FIGURE 25 - PARTS LIST: ASSY, BLADE SHAFT - P/N 165583 | 40 |
| FIGURE 26 - PARTS LIST: TRUCK, FRONT PIVOT - P/N 165592 | 41 |
| FIGURE 27 - PARTS LIST: TRANSMISSION - P/N 166338 | 42-43 |
| FIGURE 28 - PARTS LIST: 20" BLADE GUARD - P/N 168279-20-WH | 44-45 |
| FIGURE 29 - PARTS LIST: 26" BLADE GUARD - P/N 168279-26-WH | 46-47 |
| FIGURE 30 - PARTS LIST: 30" BLADE GUARD - P/N 168279-30-WH | 48-49 |
| FIGURE 31 - PARTS LIST: 36" BLADE GUARD - P/N 168279-36-WH | 50-51 |
| FIGURE 32 - PARTS LIST: ASSY, WATER MANIIFOLD 2T - P/N 167624 | 52 |
| FIGURE 33 - PARTS LIST: ASSY, WATER MANIIFOLD 4T - P/N 167624 | 52 |
| FIGURE 34 - PARTS LIST: ASSY, HINGE - P/N 163979 | 53 |

WARNINGS

Each machine is supplied with an operating instruction manual. Follow instructions strictly to ensure long service in normal operation. For repairs and service parts, contact your authorized MK Diamond dealer.



WARNING

Failure to comply with these warnings and instructions could result in death or serious injury.



WARNING

Always park the machine on a level surface with the engine "OFF" and the ignition switch set in the "OFF" position before performing any maintenance. Let the machine cool down! Disconnect battery!



WARNING

This saw was designed for certain applications only. **DO NOT** modify this saw or use for any application other than for which it was designed. If you have any questions relative to its application, **DO NOT** use the saw until you have contacted your MK Diamond dealer. The manufacturer accepts no responsibility by unsuitable use or modifications.

FIGURE 1 - PARTS LIST: MK-6020KB CONCRETE SAW P/N 165149-20

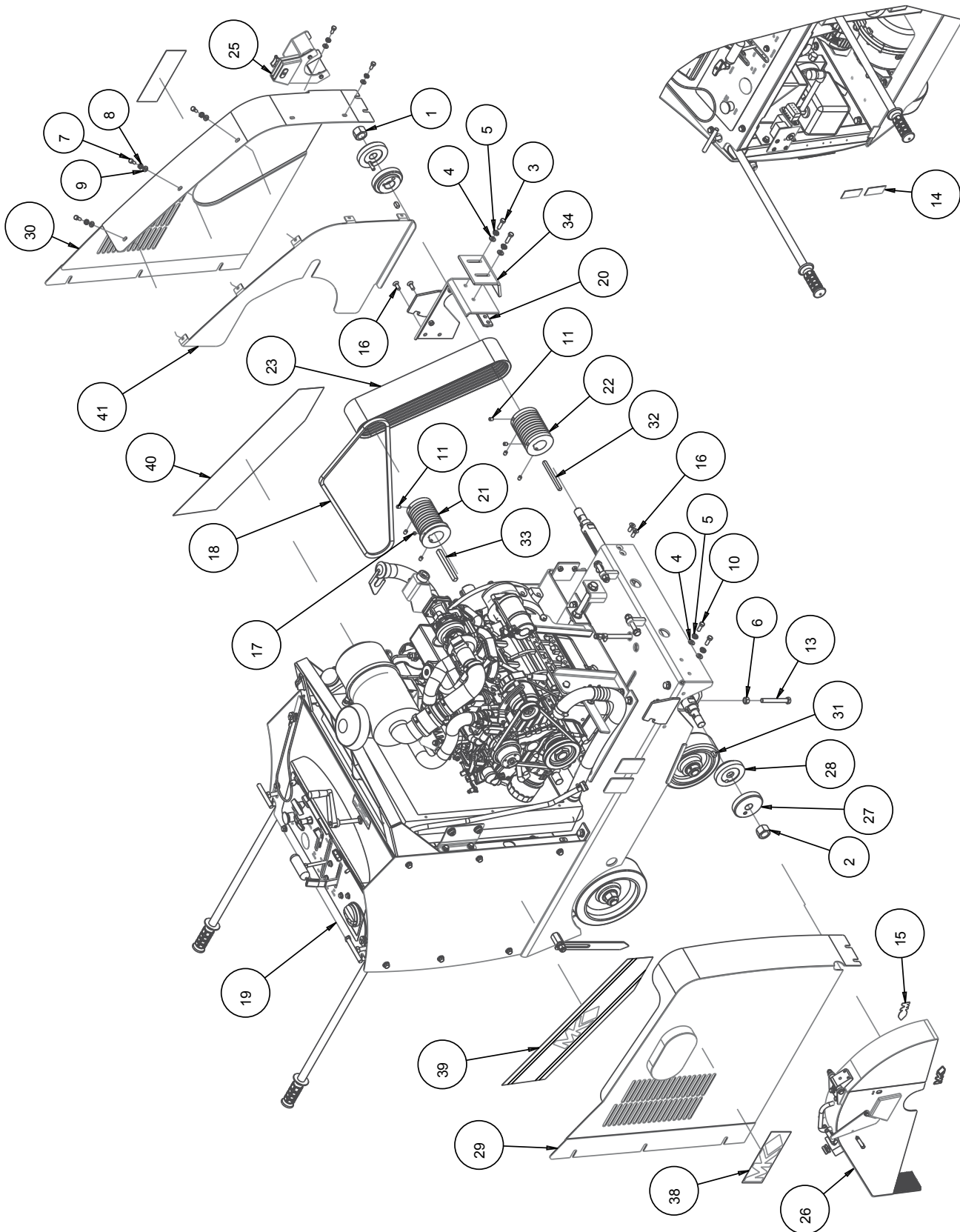


FIGURE 1 - PARTS LIST: MK-6020KB CONCRETE SAW P/N 165149-20

| ITEM | DESCRIPTION | PART # | QTY |
|------|--|--------------|-----|
| 1 | NUT, 1 - 14 RIGHT HAND | 138693 | 1 |
| 2 | NUT, 1 - 14 LEFT HAND | 138701 | 1 |
| 3 | SCREW, 3/8 - 16 X 1 -1/4 HEX HEAD CAP | 150774 | 2 |
| 4 | WASHER, FLAT, SAE, 3/8 | 150923 | 4 |
| 5 | WASHER, LOCK, SPLIT, 3/8 | 150925 | 4 |
| 6 | NUT, 1/2 - 13 HEX | 151282 | 1 |
| 7 | SCREW, HEX HD CAP, 5/16 - 18 x 3/4 | 151369 | 5 |
| 8 | WASHER, LOCK, SPLIT, 5/16 | 151747 | 5 |
| 9 | WASHER, FLAT, SAE, 5/16 | 151754 | 5 |
| 10 | SCREW, HEX HD CAP, 3/8 - 16 X 1 | 152507 | 2 |
| 11 | SCREW, SET, SOC, CUPT, 3/8 - 16 X 1/2 | 153710 | 7 |
| 12 | CARD, WARRANTY REGISTER SAW | 155037 | 1 |
| 13 | SCREW, HEX HD, TAP, 1/2 - 13 X 4 | 156626 | 1 |
| 14 | TAG, SERIAL #, BLANK | 157500-RW | 2 |
| 15 | LOGO, MK ADHESIVE | 157914 | 2 |
| 16 | SCREW, 3/8 - 16 X 1 FLATHEAD MACHINE | 162067 | 4 |
| 17 | SCREW, 3/8 - 16 X 3/8 SOCKET HEAD SET, CUP POINT | 163260 | 1 |
| 18 | BELT, A63 | 162979 | 1 |
| 19 | ASSY, 6000KB 59HP, PARENT | 165149 | 1 |
| 20 | CORNER, FRAME | 165458 | 1 |
| 21 | PULLEY, 10 - 3VX34 X 2BORE | 165463 | 1 |
| 22 | PULLEY, 10 - 3VX3.7 X 1 - 3/4BORE | 165464 | 1 |
| 23 | BELT, 10/3VX475 | 165689-10 | 1 |
| 24 | SHEET, WARNING LABELS, CONCRETE | 166009 | 1 |
| 25 | ASSY, SHAFT GUARD | 166056 | 1 |
| 26 | ASSY, BLADE GUARD 20" | 168279-20-WH | 1 |
| 27 | ASSY, FLANGE, OUTER, 4" | 168596-4 | 2 |
| 28 | FLANGE, KEYED 4" INNER | 168598-4 | 2 |
| 29 | COVER, ENGINE, RIGHT, 6000KB | 168934 | 1 |
| 30 | COVER, ENGINE, LEFT, 59KB | 168935 | 1 |
| 31 | KEY, SQR, 3/8 X 3/4 | 169371 | 2 |
| 32 | KEY, 3/8 SQUARE X 5 | 169566 | 1 |
| 33 | KEY, 1/2 SQUARE X 5.25 | 169567 | 1 |
| 34 | PLATE, BELT PROTECTOR | 169568 | 1 |
| 35 | OWNERS MANUAL, MK-6000KB | 169572 | 1 |
| 36 | PARTS MANUAL, MK-6000KB | 169573 | 1 |
| 37 | SHEET, LABEL, MK-LOGO | 169574 | 1 |
| 38 | LABEL, MK-LOGO | 169574 | 2 |
| 39 | LABEL, RIGHT TOWER | 169574 | 1 |
| 40 | LABEL, LEFT TOWER | 169574 | 1 |
| 41 | GUARD, BELT, INNER, C59 | 169652 | 1 |

FIGURE 2 - PARTS LIST: MK-6026KB CONCRETE SAW P/N 165149-26

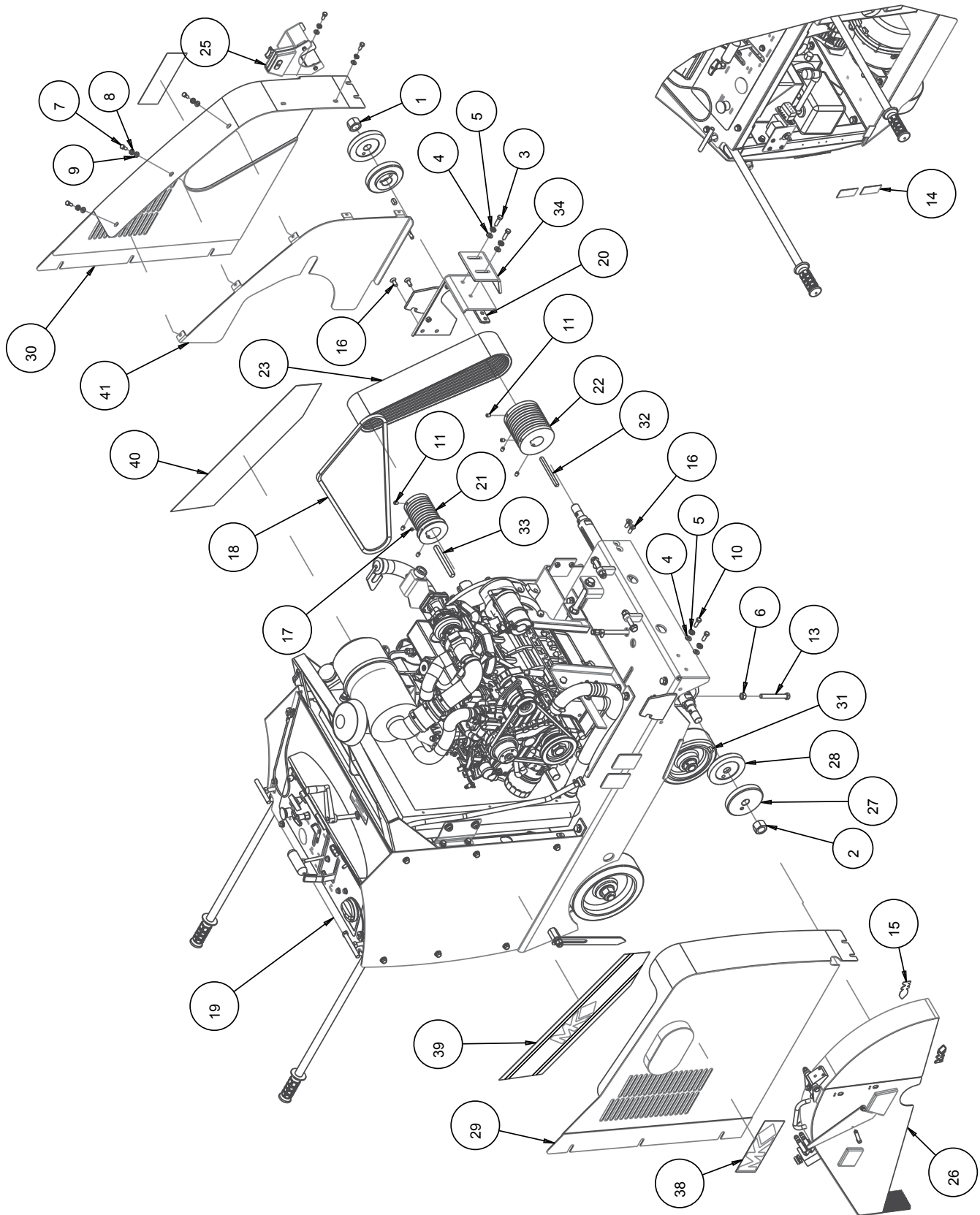


FIGURE 2 - PARTS LIST: MK-6026KB CONCRETE SAW P/N 165149-26

| ITEM | DESCRIPTION | PART # | QTY |
|------|--|--------------|-----|
| 1 | NUT, 1 - 14 RIGHT HAND | 138693 | 1 |
| 2 | NUT, 1 - 14 LEFT HAND | 138701 | 1 |
| 3 | SCREW, 3/8 - 16 X 1 -1/4 HEX HEAD CAP | 150774 | 2 |
| 4 | WASHER, FLAT, SAE, 3/8 | 150923 | 4 |
| 5 | WASHER, LOCK, SPLIT, 3/8 | 150925 | 4 |
| 6 | NUT, 1/2 - 13 HEX | 151282 | 1 |
| 7 | SCREW, HEX HD CAP, 5/16 - 18 x 3/4 | 151369 | 5 |
| 8 | WASHER, LOCK, SPLIT, 5/16 | 151747 | 5 |
| 9 | WASHER, FLAT, SAE, 5/16 | 151754 | 5 |
| 10 | SCREW, HEX HD CAP, 3/8 - 16 X 1 | 152507 | 2 |
| 11 | SCREW, SET, SOC, CUPT, 3/8 - 16 X 1/2 | 153710 | 7 |
| 12 | CARD, WARRANTY REGISTER SAW | 155037 | 1 |
| 13 | SCREW, HEX HD, TAP, 1/2 - 13 X 4 | 156626 | 1 |
| 14 | TAG, SERIAL #, BLANK | 157500-RW | 2 |
| 15 | LOGO, MK ADHESIVE | 157914 | 2 |
| 16 | SCREW, 3/8 - 16 X 1 FLATHEAD MACHINE | 162067 | 4 |
| 17 | SCREW, 3/8 - 16 X 3/8 SOCKET HEAD SET, CUP POINT | 163260 | 1 |
| 18 | BELT, A63 | 162979 | 1 |
| 19 | ASSY, 6000KB 59HP, PARENT | 165149 | 1 |
| 20 | CORNER, FRAME | 165458 | 1 |
| 21 | PULLEY, 10 - 3VX3.4 X 2BORE | 165463 | 1 |
| 22 | PULLEY, 10 - 3VX3.7 X 1 - 3/4BORE | 165465 | 1 |
| 23 | BELT, 10/3VX475 | 165689-10 | 1 |
| 24 | SHEET, WARNING LABELS, CONCRETE | 166009 | 1 |
| 25 | ASSY, SHAFT GUARD | 166056 | 1 |
| 26 | ASSY, BLADE GUARD 26" WHITE | 168279-26-WH | 1 |
| 27 | ASSY, FLANGE, KEYED, OUTER, 5" | 168596-5 | 2 |
| 28 | FLANGE, KEYED, INNER 5" | 168598-5 | 2 |
| 29 | COVER, ENGINE, RIGHT, 6000KB | 168934 | 1 |
| 30 | COVER, ENGINE, LEFT, 59KB | 168935 | 1 |
| 31 | KEY, SQR, 3/8 X 3/4 | 169371 | 2 |
| 32 | KEY, 3/8 SQUARE X 5 | 169566 | 1 |
| 33 | KEY, 1/2 SQUARE X 5.25 | 169567 | 1 |
| 34 | PLATE, BELT PROTECTOR | 169568 | 1 |
| 35 | OWNERS MANUAL, MK-6000KB | 169572 | 1 |
| 36 | PARTS MANUAL, MK-6000KB | 169573 | 1 |
| 37 | SHEET, LABEL, MK-LOGO | 169574 | 1 |
| 38 | LABEL, MK-LOGO | 169574 | 2 |
| 39 | LABEL, RIGHT TOWER | 169574 | 1 |
| 40 | LABEL, LEFT TOWER | 169574 | 1 |
| 41 | GUARD, BELT, INNER, C59 | 169652 | 1 |

FIGURE 3 - PARTS LIST: MK-6030KB CONCRETE SAW P/N 165149-30

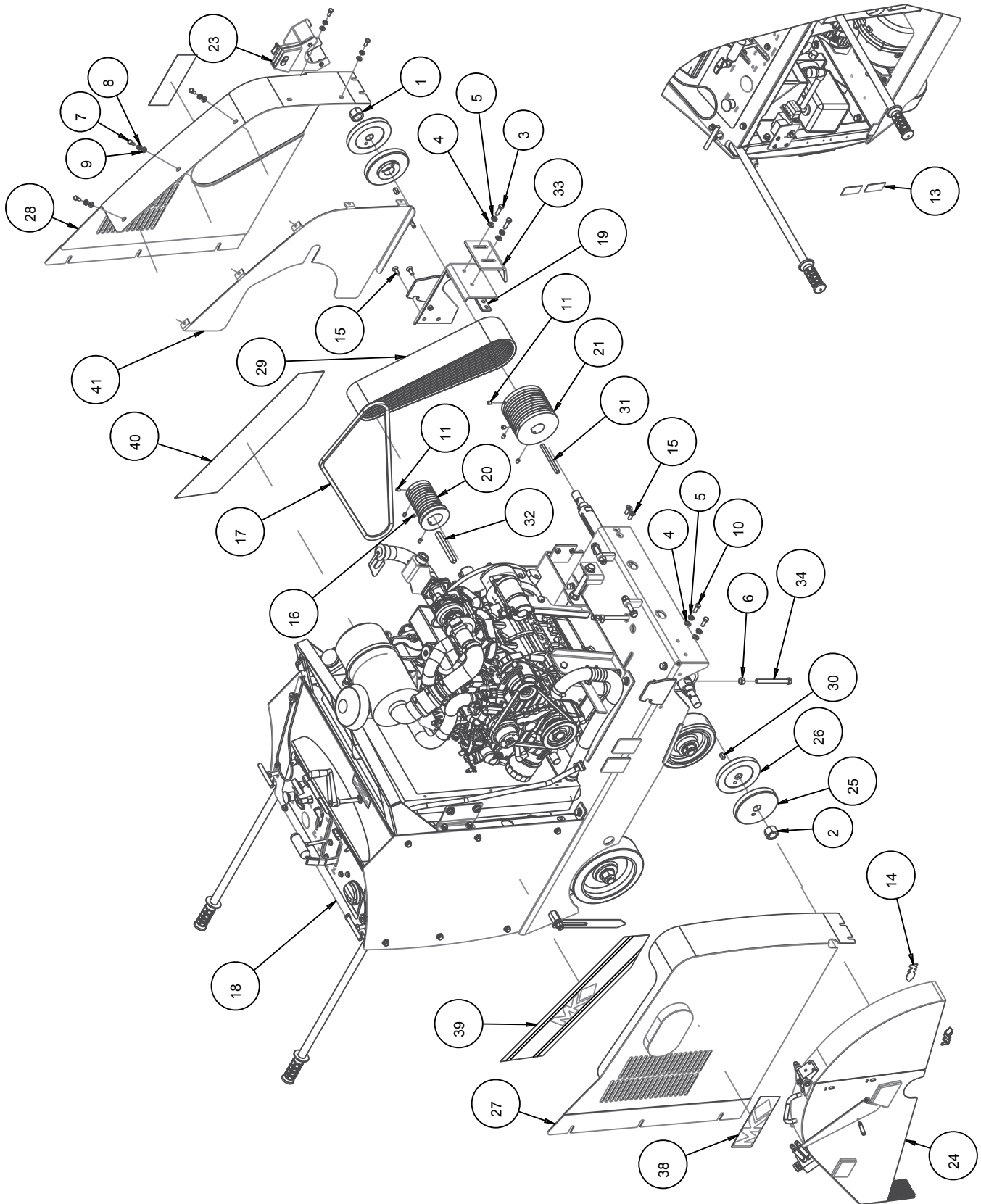


FIGURE 3 - PARTS LIST: MK-6030KB CONCRETE SAW P/N 165149-30

| ITEM | DESCRIPTION | PART # | QTY |
|------|--|--------------|-----|
| 1 | NUT, 1 - 14 RIGHT HAND | 138693 | 1 |
| 2 | NUT, 1 - 14 LEFT HAND | 138701 | 1 |
| 3 | SCREW, 3/8 - 16 X 1 - 1/4 HEX HEAD CAP | 150774 | 2 |
| 4 | WASHER, FLAT, SAE, 3/8 | 150923 | 4 |
| 5 | WASHER, LOCK, SPLIT, 3/8 | 150925 | 4 |
| 6 | NUT, 1/2 - 13 HEX | 151282 | 1 |
| 7 | SCREW, HEX HD CAP, 5/16 - 18 X 3/4 | 151369 | 5 |
| 8 | WASHER, LOCK, SPLIT, 5/15 | 151747 | 5 |
| 9 | WASHER, FLAT, SAE, 5/16 | 150754 | 5 |
| 10 | SCREW, HEX HD, CAP, 3/8 - 16 X 1 | 152507 | 2 |
| 11 | SCREW, SET, SOC, CUPT, 3/8 - 16 X 1/2 | 153710 | 7 |
| 12 | CARD, WARRANTY REGISTER SAW | 155037 | 1 |
| 13 | TAG, SERIAL NUMBER, BLANK | 157500-RW | 2 |
| 14 | LOGO, MK ADHESIVE | 157914 | 2 |
| 15 | SCREW, 3/8 - 16 X 1 FLATHEAD MACHINE | 162067 | 4 |
| 16 | SCREW, 3/8 - 16 X 3/8 SOCKET HEAD SET, CUP POINT | 163260 | 1 |
| 17 | BELT, A63 | 162979 | 1 |
| 18 | ASSY, 6000KB 59HP, PARENT | 165149 | 1 |
| 19 | CORNER, FRAME | 165458 | 1 |
| 20 | PULLEY, 103VX3.4 X 2BORE | 165463 | 1 |
| 21 | PULLEY, 103VX5.8 X 1 - 3/4 BORE | 165466 | 1 |
| 22 | SHEET, WARNING LABELS, CONCRETE | 166009 | 1 |
| 23 | ASSY, SHAFT GUARD | 166056 | 1 |
| 24 | ASSY, BLADE GUARD 30" WHITE | 168279-30-WH | 1 |
| 25 | ASSY, FLANGE, KEYED, OUTER, 6" | 168596-6 | 2 |
| 26 | FLANGE, KEYED, INNER 6" | 168598-6 | 2 |
| 27 | COVER, ENGINE, RIGHT, 6000KB | 168934 | 1 |
| 28 | COVER, ENGINE, LEFT, 59KB | 168935 | 1 |
| 29 | BELT, 10/3VX 500 | 169214-10 | 1 |
| 30 | KEY, SQR, 3/8 X 3/4 | 169371 | 1 |
| 31 | KEY, 3/8 SQUARE X 5 | 169566 | 1 |
| 32 | KEY, 1/2 SQUARE X 5.25 | 169567 | 1 |
| 33 | PLATE, BELT PROTECTOR | 169568 | 1 |
| 34 | SCREW, HEX HD, TAP, 1/2-13 X 5 | 169570 | 1 |
| 35 | OWNER'S MANUAL, MK-6000KB | 169572 | 1 |
| 36 | PARTS MANUAL, MK-6000KB | 169573 | 1 |
| 37 | SHEET, LABEL, MK-LOGO | 169574 | 1 |
| 38 | LABEL, MK-LOGO | 169574 | 2 |
| 39 | LABEL, RIGHT TOWER | 169574 | 1 |
| 40 | LABEL, LEFT TOWER | 169574 | 1 |
| 41 | GUARD, BELT, INNER, C59 | 169652 | 1 |

FIGURE 4 - PARTS LIST: MK-6036KB CONCRETE SAW P/N 165149-36

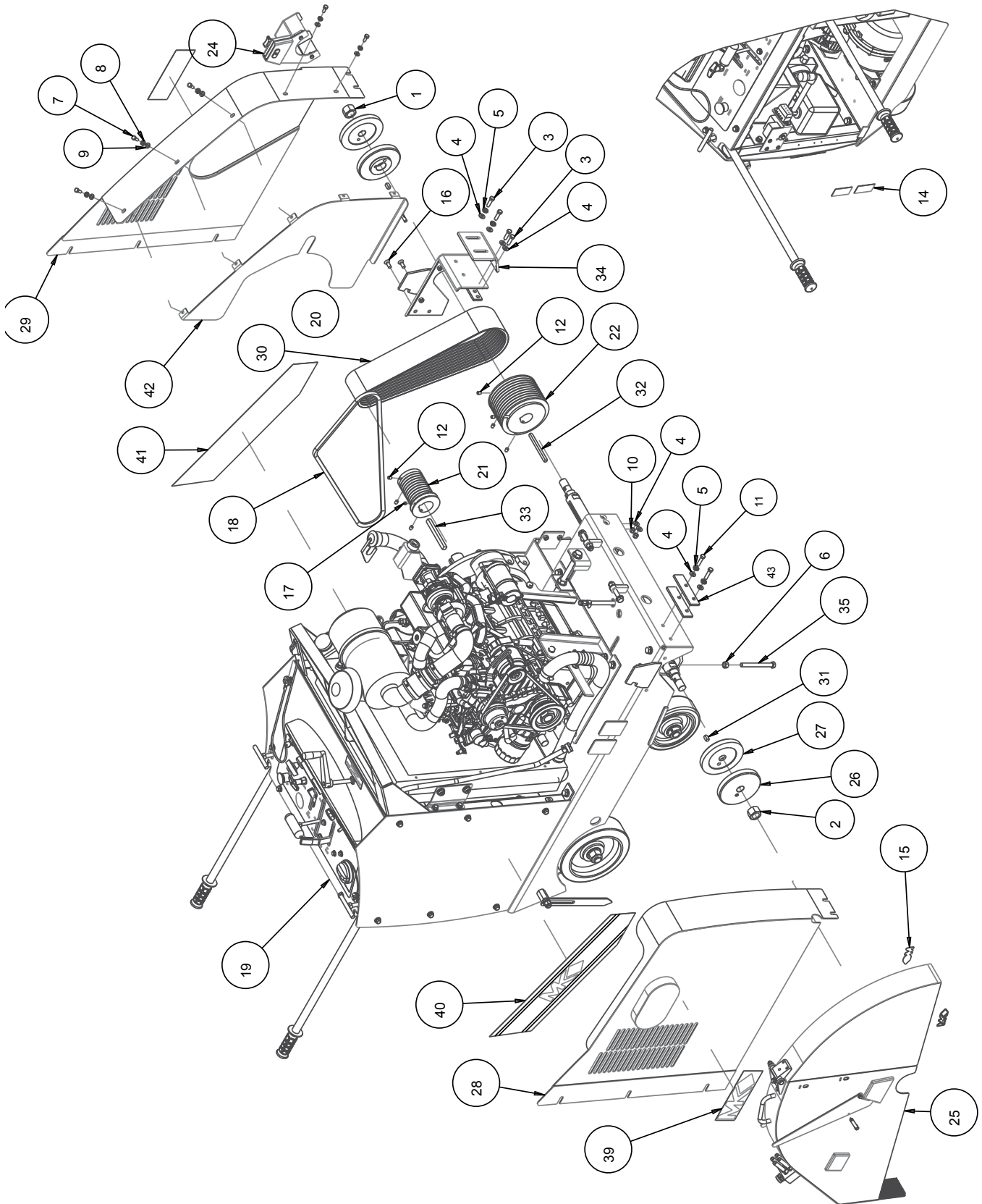
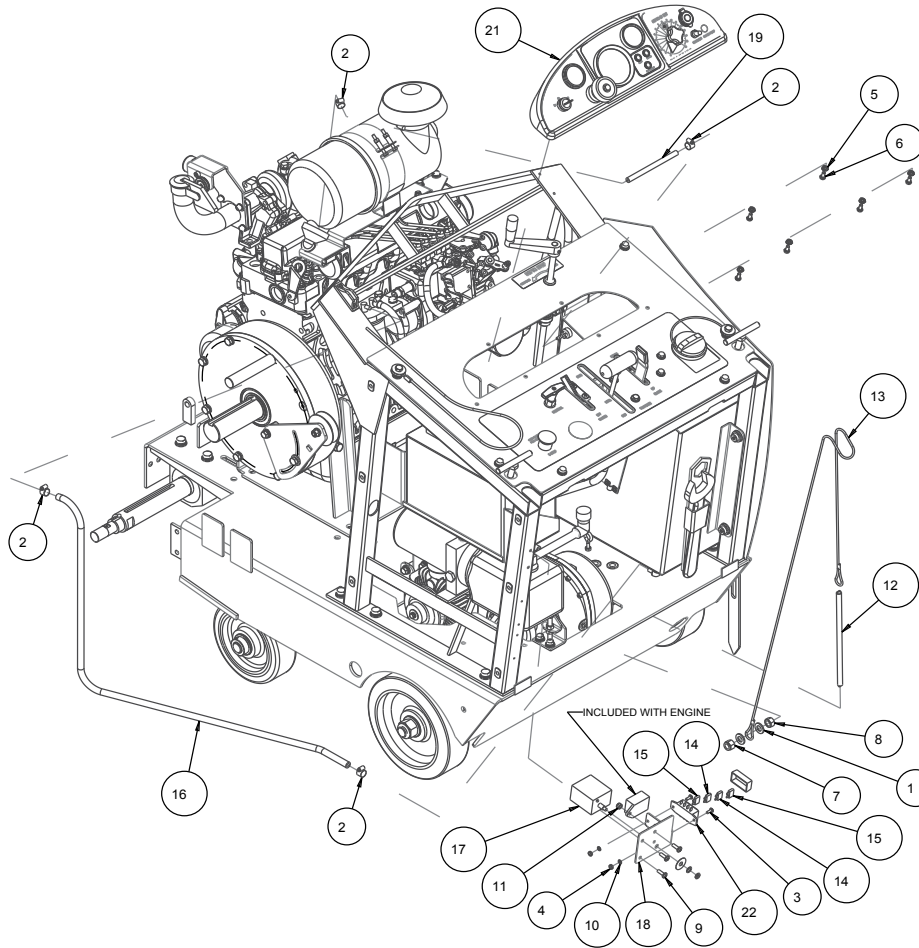


FIGURE 4 - PARTS LIST: MK-6036KB CONCRETE SAW P/N 165149-36

| ITEM | DESCRIPTION | PART # | QTY |
|------|--|--------------|-----|
| 1 | NUT, 1 - 14 RIGHT HAND | 138693 | 1 |
| 2 | NUT, 1 - 14 LEFT HAND | 138701 | 1 |
| 3 | SCREW, 3/8 - 16 X 1 -1/4 HEX HEAD CAP | 150774 | 4 |
| 4 | WASHER, FLAT, SAE, 3/8 | 150923 | 8 |
| 5 | WASHER, LOCK, SPLIT, 3/8 | 150925 | 4 |
| 6 | NUT, 1/2 - 13 HEX | 151282 | 1 |
| 7 | SCREW, HEX HD CAP, 5/16 - 18 X 3/4 | 151369 | 5 |
| 8 | WASHER, LOCK, SPLIT, 5/15 | 151747 | 5 |
| 9 | WASHER, FLAT, SAE, 5/16 | 150754 | 5 |
| 10 | NUT, 3/8 - 16 NYLOK HEX | 152505 | 2 |
| 11 | SCREW, HEX HEAD, 3/8 - 16 X 1-1/2 | 153528 | 2 |
| 12 | SCREW, SET, SOC, CUPT, 3/8 - 16 X 1/2 | 153710 | 7 |
| 13 | CARD, WARRANTY REGISTER SAW | 155037 | 1 |
| 14 | TAG, SERIAL NUMBER, BLANK | 157500-RW | 2 |
| 15 | LOGO, MK ADHESIVE | 157914 | 2 |
| 16 | SCREW, 3/8 - 16 X 1 FLATHEAD MACHINE | 162067 | 2 |
| 17 | SCREW, 3/8 - 16 X 3/8 SOCKET HEAD SET, CUP POINT | 163261 | 1 |
| 18 | BELT, A63 | 162979 | 1 |
| 19 | ASSY, 6000KB 59HP, PARENT | 165149 | 1 |
| 20 | CORNER, FRAME 36" | 165458-36 | 1 |
| 21 | PULLEY, 103VX3.4 X 2BORE | 165463 | 1 |
| 22 | PULLEY, 103VX5.8 X 1 - 3/4BORE | 165467 | 1 |
| 23 | SHEET, WARNING LABELS, CONCRETE | 166009 | 1 |
| 24 | ASSY, SHAFT GUARD | 166056 | 1 |
| 25 | ASSY, BLADE GUARD 36" | 168279-36-WH | 1 |
| 26 | ASSY, FLANGE, KEYED, OUTER, 6" | 168596-6 | 2 |
| 27 | FLANGE, KEYED, INNER 6" | 168598-6 | 2 |
| 28 | COVER, ENGINE, RIGHT, 6000KB | 168934 | 1 |
| 29 | COVER, ENGINE, LEFT, 59KB | 168935 | 1 |
| 30 | BELT, 10/3VX 500 | 169214-10 | 1 |
| 31 | KEY, SQR, 3/8 X 3/4 | 169371 | 2 |
| 32 | KEY, 3/8 SQUARE X 5 | 169566 | 1 |
| 33 | KEY, 1/2 SQUARE X 5.25 | 169567 | 1 |
| 34 | PLATE, BELT PROTECTOR | 169568 | 1 |
| 35 | SCREW, HEX HD, TAP, 1/2-13 X 5 | 169570 | 1 |
| 36 | OWNER'S MANUAL, MK-6000KB | 169572 | 1 |
| 37 | PARTS MANUAL, MK-6000KB | 169573 | 1 |
| 38 | SHEET, LABEL, MK-LOGO | 169574 | 1 |
| 39 | LABEL, MK-LOGO | 169574_01 | 2 |
| 40 | LABEL, RIGHT TOWER | 169574_02 | 1 |
| 41 | LABEL, LEFT TOWER | 169574_03 | 1 |
| 42 | GUARD, BELT, INNER, C59 | 169652 | 1 |
| 43 | SPACER, ENGINE COVER | 170784 | 2 |

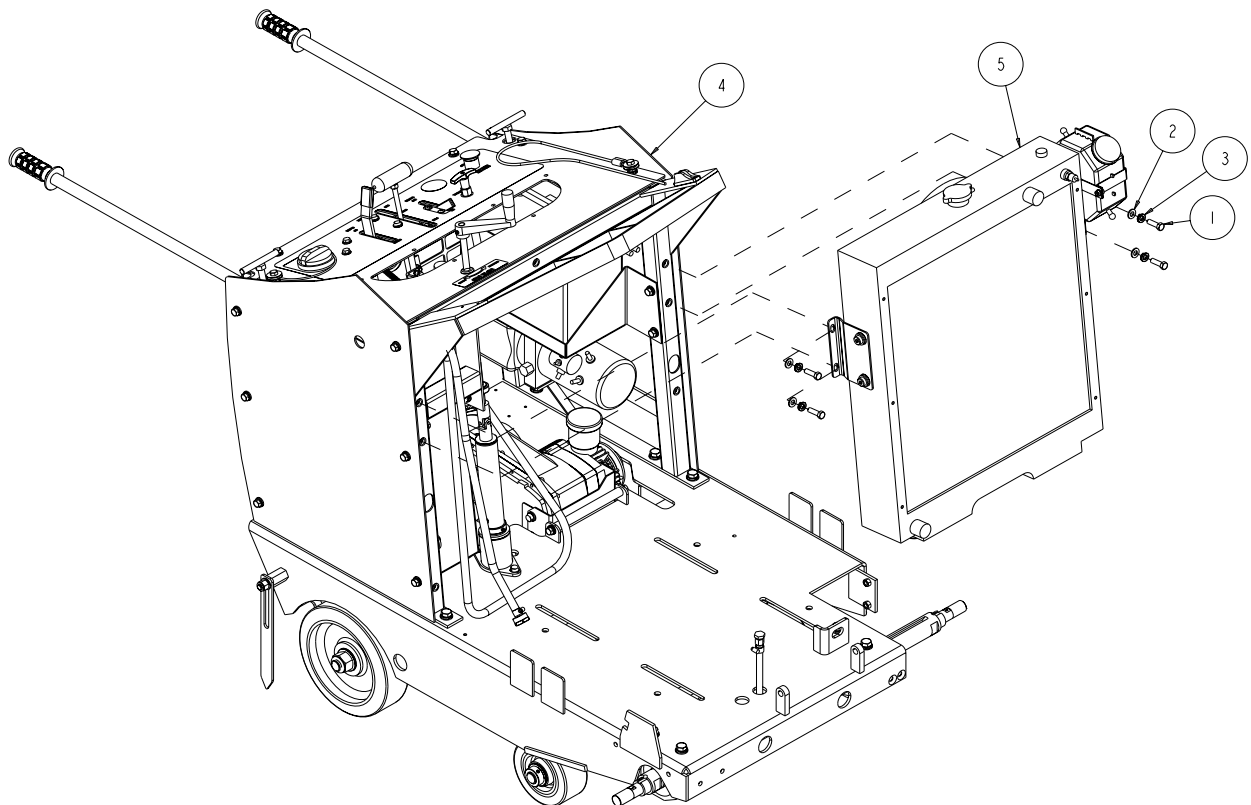
FIGURE 5 - PARTS LIST: MK-6000KB CONCRETE SAW P/N 165149



| ITEM NO. | DESCRIPTION | PART #. | QTY. REQ. |
|----------|---|---------|-----------|
| 1 | WASHER, 1/2 SAE FLAT | 150924 | 2 |
| 2 | CLAMP, 5/8 HOSE | 151198 | 4 |
| 3 | SCREW, PAN HD 10 - 24 X 12 | 151744 | 2 |
| 4 | NUT, HEX, 10 - 24 | 151749 | 2 |
| 5 | WASHER, 1/4 SPLIT LOCK | 152591 | 6 |
| 6 | SCREW, 1/4 - 20 X 1/2 HEX HEAD | 152608 | 6 |
| 7 | NUT, 1/2 - 13 NYLOK HEX | 155162 | 1 |
| 8 | NUT, 1/2 - 13 CENTERLOCK HEX | 156279 | 1 |
| 9 | SCREW, PAN HD, 1/4 - 20 X 3/4 | 157523 | 3 |
| 10 | WASHER #10, IT | 158336 | 2 |
| 11 | NUT, HEX, NYLK, 1/4 - 20 | 159857 | 1 |
| 12 | SPRING, .44 X 10.3 X .04 155603 1 EXTENSION | 162627 | 1 |
| 13 | CABLE, 52" DEPTH INDICATOR | 162628 | 1 |

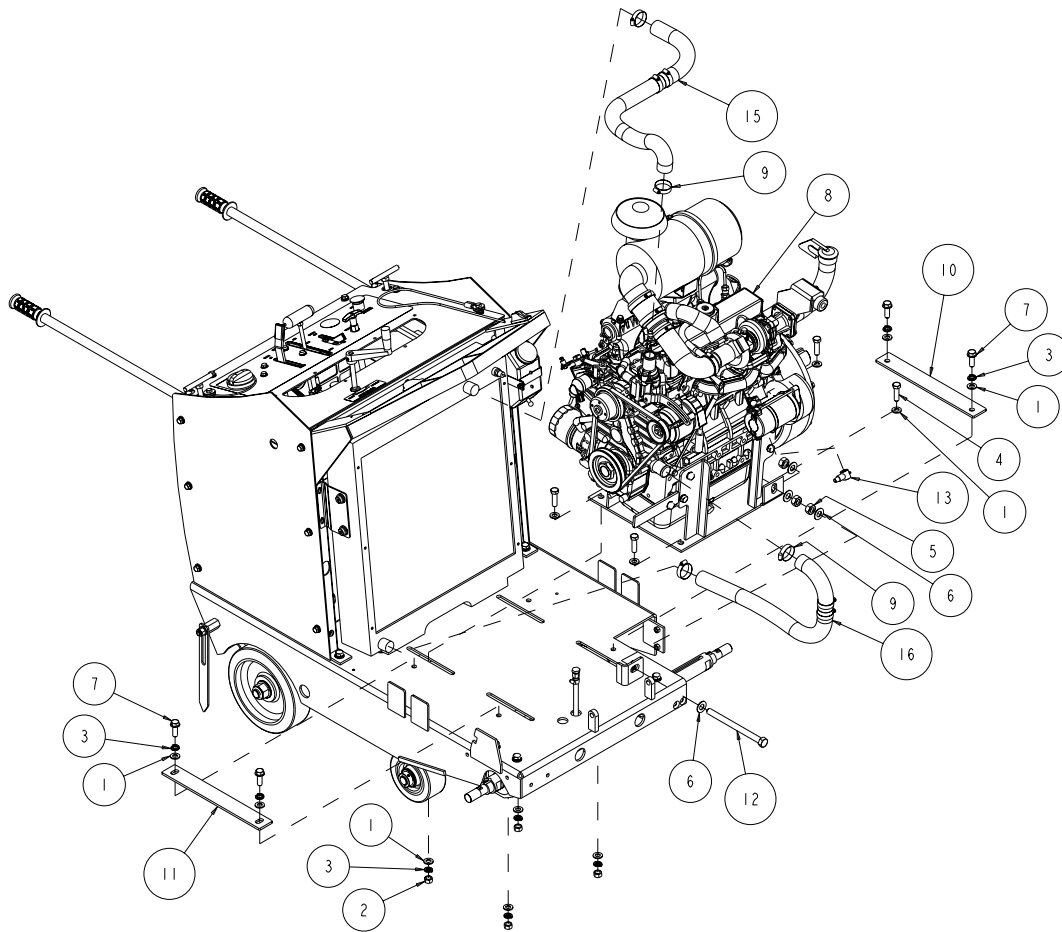
FIGURE 5 - PARTS LIST: MK-6000KB CONCRETE SAW P/N 165149

| ITEM NO. | DESCRIPTION | PART #. | QTY. REQ. |
|----------|----------------------------------|---------|-----------|
| 14 | FUSE, 10A ATC BLADE | 164597 | 2 |
| 15 | FUSE, 5A ATC BLADE | 164598 | 2 |
| 16 | HOSE, 5/16 FUEL, 48" | 164958 | 1 |
| 17 | SWITCH, MAGNETIC, 12/24V, MDL117 | 167502 | 1 |
| 18 | BRACKET, FUSEBOX, KB | 167536 | 1 |
| 19 | HOSE, FUEL, 3/16 ID (6.0') | 167674 | 1 |
| 20 | ANTIFREEZE/COOLANT (1.5 GAL) | 167692 | 1 |
| 21 | ASSY, INSTRUMENT PANEL, KB | 169142 | 1 |
| 22 | BLOCK, FUSE, 4-SLOT | 169148 | 1 |
| 23 | WIRE HARNESS, KB2403 | 169563 | 1 |



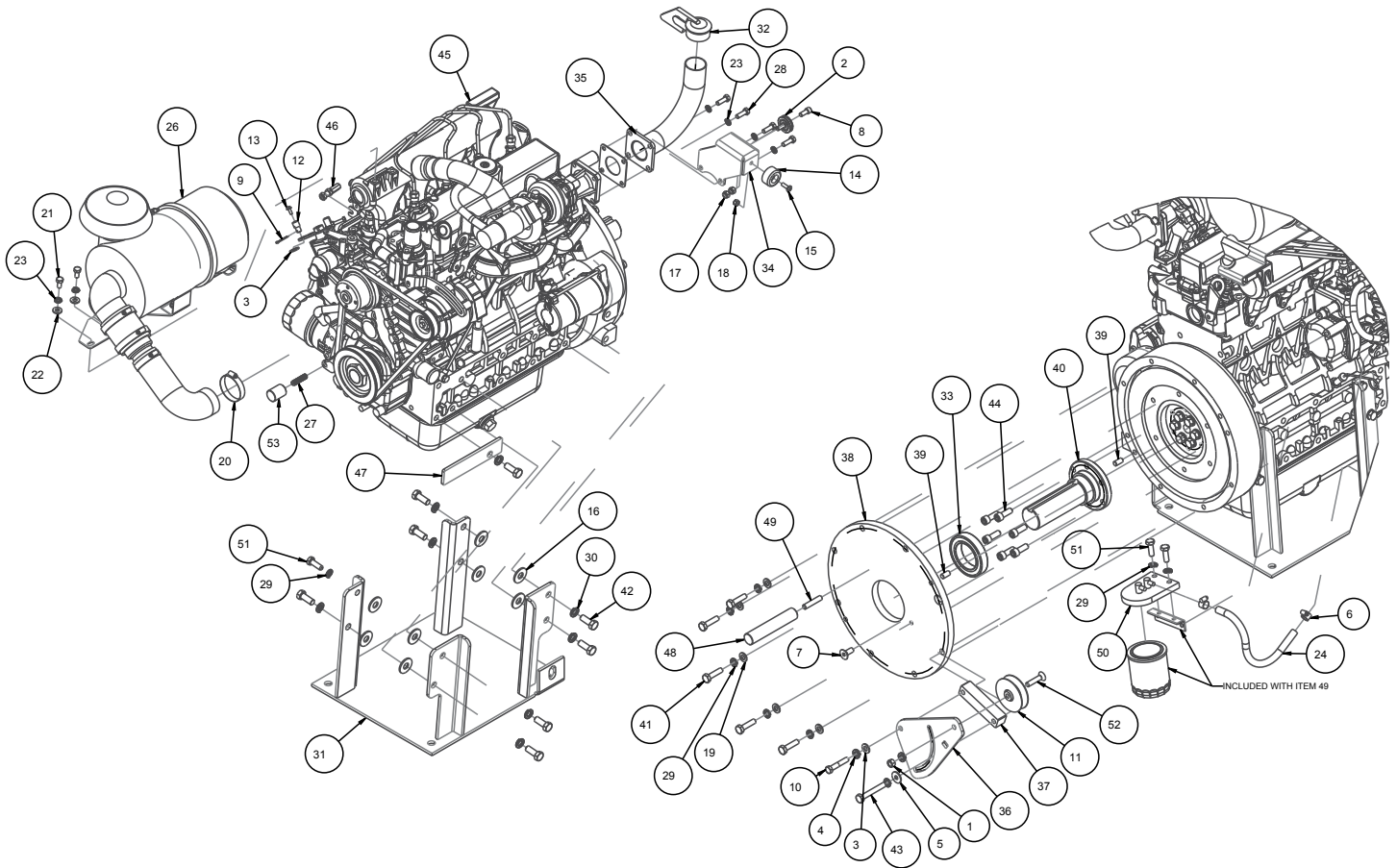
| ITEM NO. | DESCRIPTION | PART #. | QTY. REQ. |
|----------|--|---------|-----------|
| 1 | SCREW, 3/8 - 16 X 1 - 1/4 HEX HEAD CAP | 150774 | 4 |
| 2 | WASHER, FLAT, SAE, 3/8 | 150923 | 4 |
| 3 | WASHER, LOCK, SPLIT, 3/8 | 150925 | 4 |
| 4 | ASSY, 6000 LESS ENGINE | 165151 | 1 |
| 5 | ASSY, RADIATOR | 169103 | 1 |

FIGURE 5 - PARTS LIST: MK-6000KB CONCRETE SAW P/N 165149



| ITEM NO. | DESCRIPTION | PART # | QTY. REQ. |
|----------|---|-----------|-----------|
| 1 | WASHER, 1/2 SAE FLAT | 150924 | 12 |
| 2 | NUT, 1/2 - 13 HEX | 151282 | 4 |
| 3 | WASHER, 1/2 SPLIT LOCK | 153524 | 8 |
| 4 | SCREW, 1/2 - 13 X 1 - 3/4 HEX HEAD CAP | 153853 | 4 |
| 5 | NUT, HEX JAM 5/8 - 11 UNC | 155603 | 3 |
| 6 | WASHER, FLAT, 5/8 SAE | 158350 | 5 |
| 7 | SCREW, 1/2 - 13 X 1 - 1/2 HEX FLANGE HEAD, RIGHT HAND | 160819 | 4 |
| 8 | ASSY, ENGINE, KUBOTA 59 | 165153 | 1 |
| 9 | CLAMP, 1 - 1/16 TO 2 HOSE | 167617 | 4 |
| 10 | BRACKET, ENG GUIDE, LEFT | 168295 | 1 |
| 11 | BRACKET, ENG GUIDE, RIGHT | 168296 | 1 |
| 12 | SCREW, HEX, TAP, 5/8 - 11 X 8 | 169110 | 1 |
| 13 | COVER, 8 - 4 AWG TERMINAL, RED | 169355 | 1 |
| 14 | HOSE, SET, RAD, UPPER AND LOWER, KB2403 | 169396 | 1 |
| 15 | HOSE, RAD, UPPER, KB2403 | 169396-01 | 1 |
| 16 | HOSE, RAD, LOWER, KB2403 | 169396-02 | 1 |

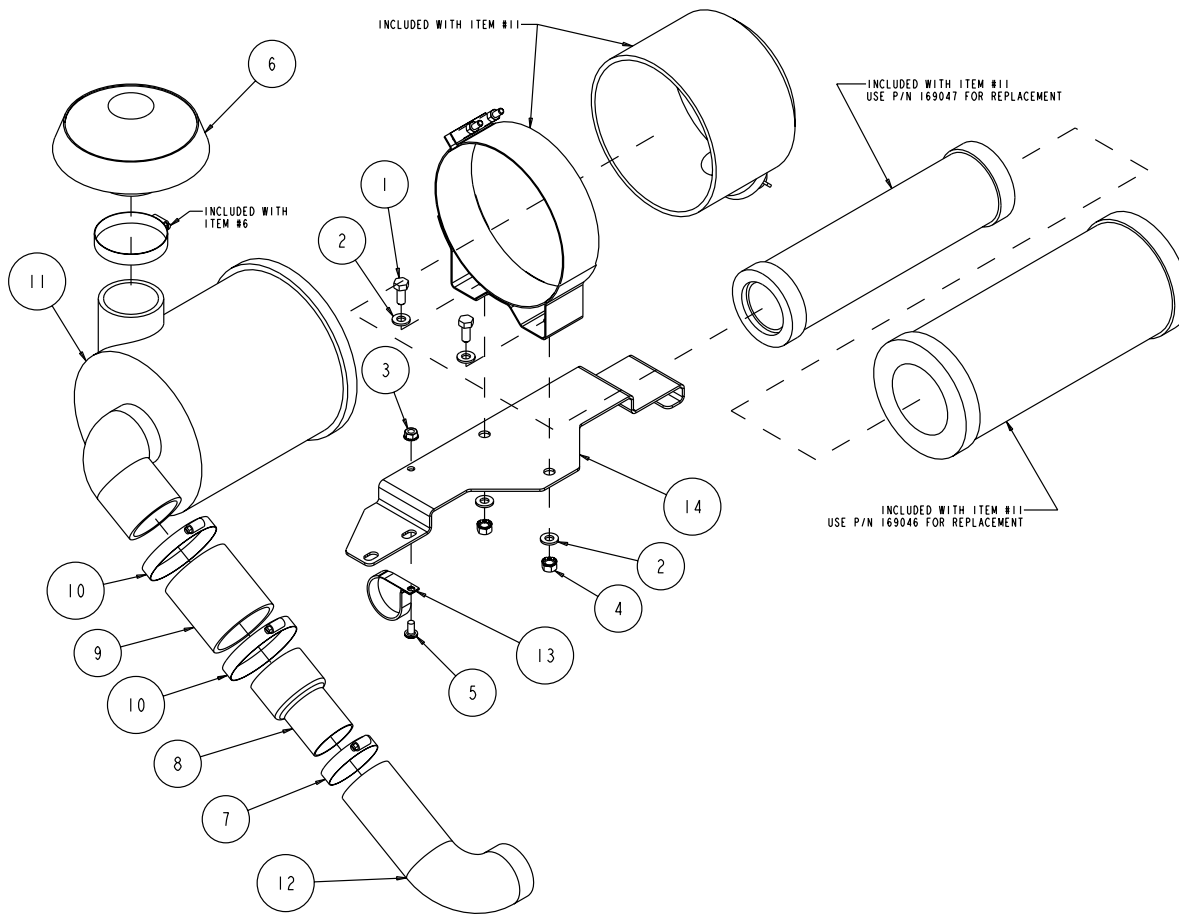
FIGURE 6 - PARTS LIST: ASSY, ENGINE, KUBOTA, MK6000 P/N 165153



| ITEM NO. | DESCRIPTION | PART # | QTY. REQ. |
|----------|---------------------------------------|-----------|-----------|
| 1 | NUT, HEX, 3/8 - 16 | 101188 | 1 |
| 2 | WHEEL, CONVEYOR CART | 133090 | 1 |
| 3 | WASHER, 3/8 SAE FLAT | 150923 | 2 |
| 4 | WASHER, 3/8 SPLIT LOCK | 150925 | 2 |
| 5 | WASHER, FENDER, 5/16 X 1.0 | 151053 | 1 |
| 6 | CLAMP, 5/8 HOSE | 151198 | 2 |
| 7 | SCREW, FLAT HD, ALN, M10 - 1.5 X 25MM | 151752 | 1 |
| 8 | SCREW, SOC HD, 5/16 - 18 X 3/4 | 152444 | 1 |
| 9 | PIN, 1/16 X 3/4 COTTER | 152518 | 1 |
| 10 | SCREW, HEX HD, 3/8 - 16 X 2 | 153485 | 1 |
| 11 | PULLEY, IDLER, BV3001, W/CSINK | 153797-CS | 1 |
| 12 | PIN, WIRE STOP | 153842 | 1 |
| 13 | SCREW, HEX HD FL 10 - 24X 5/16 | 154172 | 1 |
| 14 | BUMPER, 1/4 ID X 1 - 1/20D X 3/4 | 154496 | 1 |
| 15 | SCREW, PAN HD, 1/4 - 20 X 3/4 | 157523 | 1 |

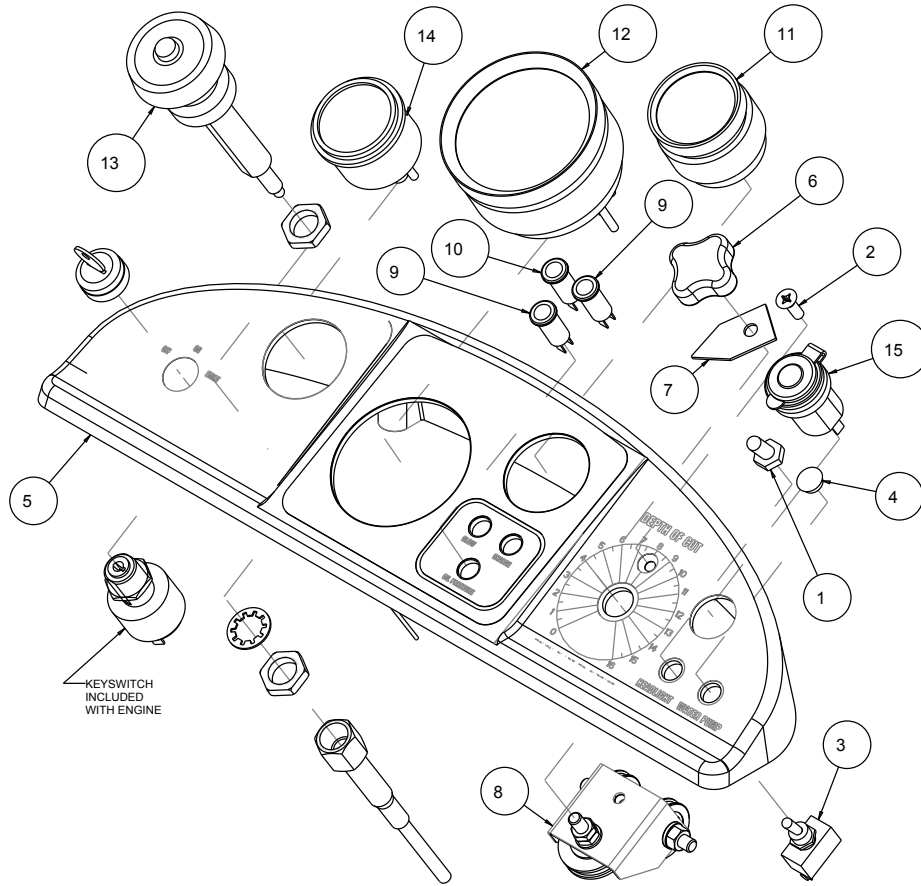
| ITEM NO. | DESCRIPTION | PART # | QTY. REQ. |
|----------|--|--------|-----------|
| 16 | WASHER, FLAT, USS, 1/2 | 157679 | 8 |
| 17 | NUT, HEX, NYLK, 5/16 - 18 | 158289 | 2 |
| 18 | NUT, HEX, NYLK, 1/4 - 20 | 159857 | 1 |
| 19 | WASHER, FLAT, M10 | 160203 | 5 |
| 20 | CLAMP, HOSE, 1 - 15/16 TO 2 - 1/4 | 162816 | 1 |
| 21 | SCREW, HEX HD, M8 - 1.25 X 16MM | 164223 | 2 |
| 22 | WASHER, FLAT, M8 | 164855 | 2 |
| 23 | WASHER, LOCK, SPLIT, M8 | 164860 | 6 |
| 24 | HOSE, 5/16 FUEL, 12" | 164958 | 1 |
| 25 | OIL, 10 - 40 SAE MOTOR (1QT) | 164970 | 6 |
| 26 | ASSY, AIR CLEANER, KB2403 | 165290 | 1 |
| 27 | SCREW, SET M10 X 1.5 C 40MM | 167179 | 1 |
| 28 | SCREW, HEX, M8 - 1.25 X 25MM | 167512 | 4 |
| 29 | WASHER, LOCK, SPLIT, M10 | 167515 | 9 |
| 30 | WASHER, LOCK, SPLIT, M12 | 167516 | 8 |
| 31 | MONUT, ENGINE,KB2403 | 168563 | 1 |
| 32 | CAP, WEATHER, 1 - 3/4 EXHAUST | 168884 | 1 |
| 33 | BEARING, BALL, 60 X95 X 18, 6012 - 2NSE | 169029 | 1 |
| 34 | BRACKET, POINTER STOP, KB2403 | 169030 | 1 |
| 35 | PIPE, 1 - 3/4 EXHAUST, KB2403 | 169031 | 1 |
| 36 | ARM, IDLER, TIGHT SIDE | 169032 | 1 |
| 37 | BLOCK, IDLER, KB2403 | 169033 | 1 |
| 38 | PLATE, OUTBOARD BEARING, KB2403 | 169034 | 1 |
| 39 | PIN, DOWEL, M10 X 20MM | 168035 | 2 |
| 40 | SHAFT, PTO, KB2403 | 169036 | 1 |
| 41 | SCREW, HEX, M10 - 1.5 X 40MM | 169037 | 5 |
| 42 | SCREW, HEX, M12 - 1.25 X 30MM | 169038 | 8 |
| 43 | SCREW, HEX, M10 - 1.5 X 70MM | 169039 | 1 |
| 44 | SCREW SOC, 7/16 - 20 X 1 -1.4 | 169040 | 6 |
| 45 | ENGINE, KUBOTA, V2403, 59HP (COMP) | 169041 | 1 |
| 46 | FITTING, THROTTLE CABLE END | 169042 | 1 |
| 47 | STANDOFF, ENG COVER, 2403, RH | 169043 | 1 |
| 48 | STANDOFF, ENG COVER, 2403, LH | 169044 | 1 |
| 49 | SCREW,SET M10 - 1.5 X 50MM | 169045 | 1 |
| 50 | KIT, FUEL FILTER, KB2403 | 169146 | 1 |
| 51 | SCREW, HEX HD, M10 - 1.25 X 30MM | 169395 | 3 |
| 52 | SCREW, 3/8 - 16 X 1 - 3/4 FLAT HEAD SOCKET | 169561 | 1 |
| 53 | STAND OFF, ENG COVER, 2403, RH2 | 169955 | 1 |

FIGURE 7 - PARTS LIST: ASSY, AIR CLEANER KB P/N 165290



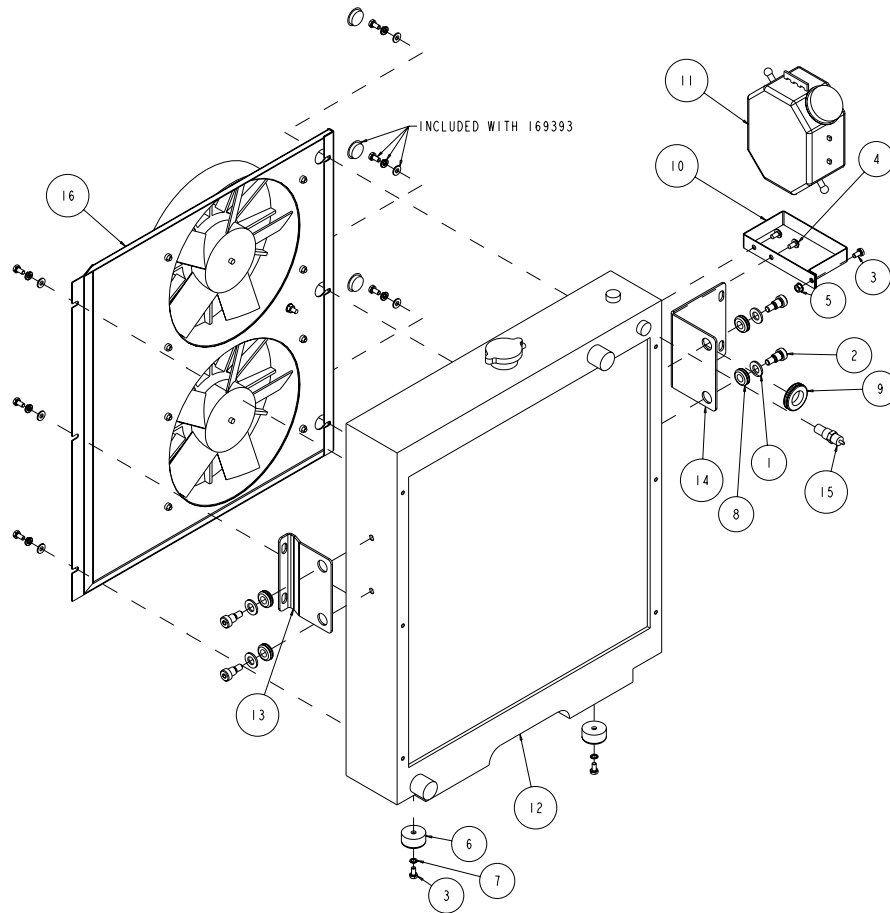
| ITEM NO. | DESCRIPTION | PART # | QTY. REQ. |
|----------|-------------------------------------|--------|-----------|
| 1 | SCREW, HEX HD, CAP, 5/16 - 18 X 3/4 | 151369 | 2 |
| 2 | WASHER, FLAT, SAE, 5/16 | 151754 | 4 |
| 3 | NUT, HEX, TW, 1/4 - 20 | 153941 | 1 |
| 4 | NUT, HEX, TW, 5/16 - 18 | 153942 | 2 |
| 5 | SCREW, PAN HD, CAP, 1/4 - 20 X 1/2 | 155452 | 1 |
| 6 | CAP, RAIN, 2.5" INLET | 162609 | 1 |
| 7 | CLAMP, HOSE, 1 - 15/16 TO 2 - 1/4 | 162816 | 1 |
| 8 | ADAPTER, 1 - 7/8OD X 2 - 1/4ID | 162857 | 1 |
| 9 | HOSE, 2 - 1/2 ID INTAKE (COMP) | 163986 | 1 |
| 10 | CLAMP, HOSE, 2 - 5/16 TO 3 - 1/4 | 164242 | 2 |
| 11 | AIR CLEANER, 2.5 - FW | 165291 | 1 |
| 12 | HOSE, 1 - 3/4 INTAKE, KB2403 (COMP) | 165292 | 1 |
| 13 | CLAMP, CUSHION LOOP, 1 - 3/4 | 167522 | 1 |
| 14 | BRACKET, AIR CLEANER, KB2403 | 169028 | 1 |

FIGURE 8 - PARTS LIST: ASSY, INSTRUMENT PANEL P/N 169142



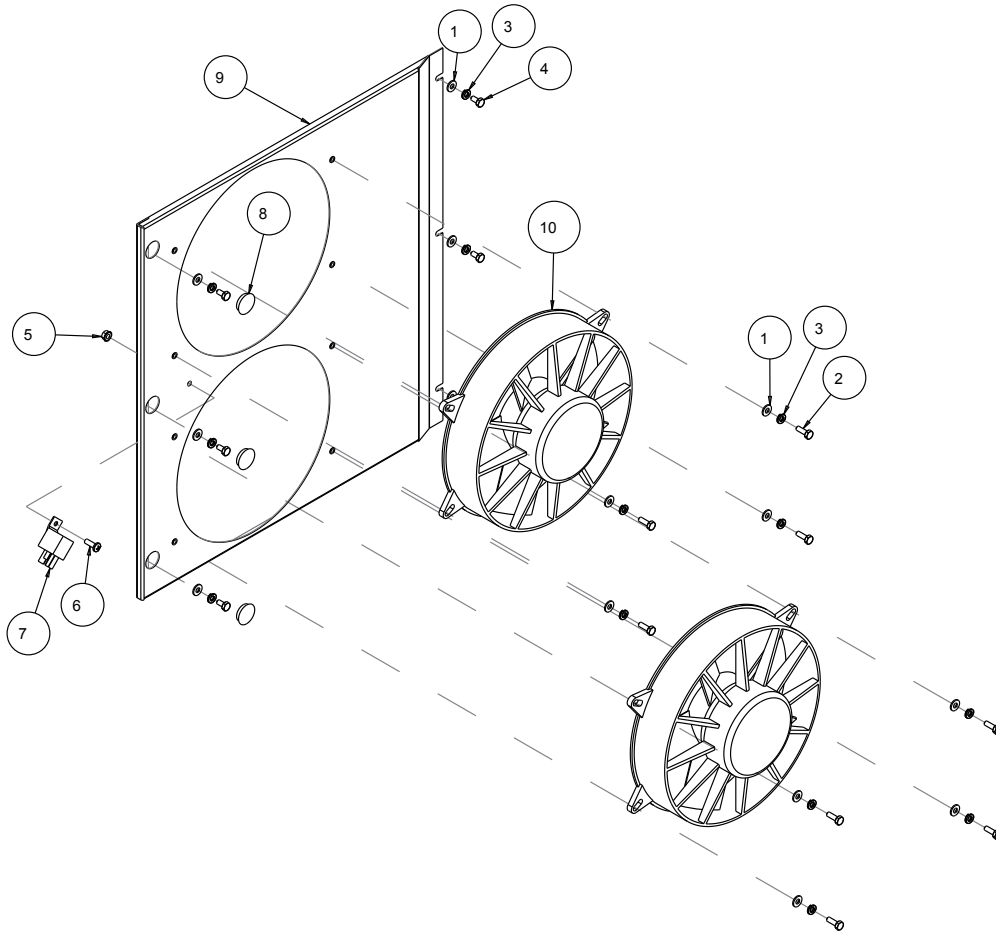
| ITEM NO. | DESCRIPTION | PART # | QTY. REQ. |
|----------|--------------------------------|-----------|-----------|
| 1 | COVER, SWITCH | 154301 | 1 |
| 2 | SCREW, FLAT HD, 1/4 - 20 X 3/4 | 154657 | 1 |
| 3 | SWITCH, TOGGLE 15A/120V 1 PST | 156649 | 1 |
| 4 | PLUG, 1/2 FLUSH HEAD BUTTON | 156779 | 1 |
| 5 | CASTING, INSTR PNL, KB-COMP | 160909-KB | 1 |
| 6 | KNOB, DEPTH INDICATOR (COMP) | 162629 | 1 |
| 7 | POINTER, DEPTH INDICATOR | 162630 | 1 |
| 8 | ASSY, DEPTH INDICATOR | 162881 | 1 |
| 9 | LIGHT, 1/2" DIA. PANEL, RED | 163938 | 2 |
| 10 | LIGHT, 1/2" DIA, PANEL, GREEN | 163939 | 1 |
| 11 | GAUGE, FUEL, ANALOG | 164151 | 1 |
| 12 | GAUGE, TACH, DIESEL | 164152-D | 1 |
| 13 | CONTROL, THROTTLE-COMP | 169143 | 1 |
| 14 | GAUGE, TEMP, 2" | 167501 | 1 |
| 15 | RECEPTACLE, 12VDC | 169571 | 1 |

FIGURE 9 - PARTS LIST: ASSY, RADIATOR P/N 169103



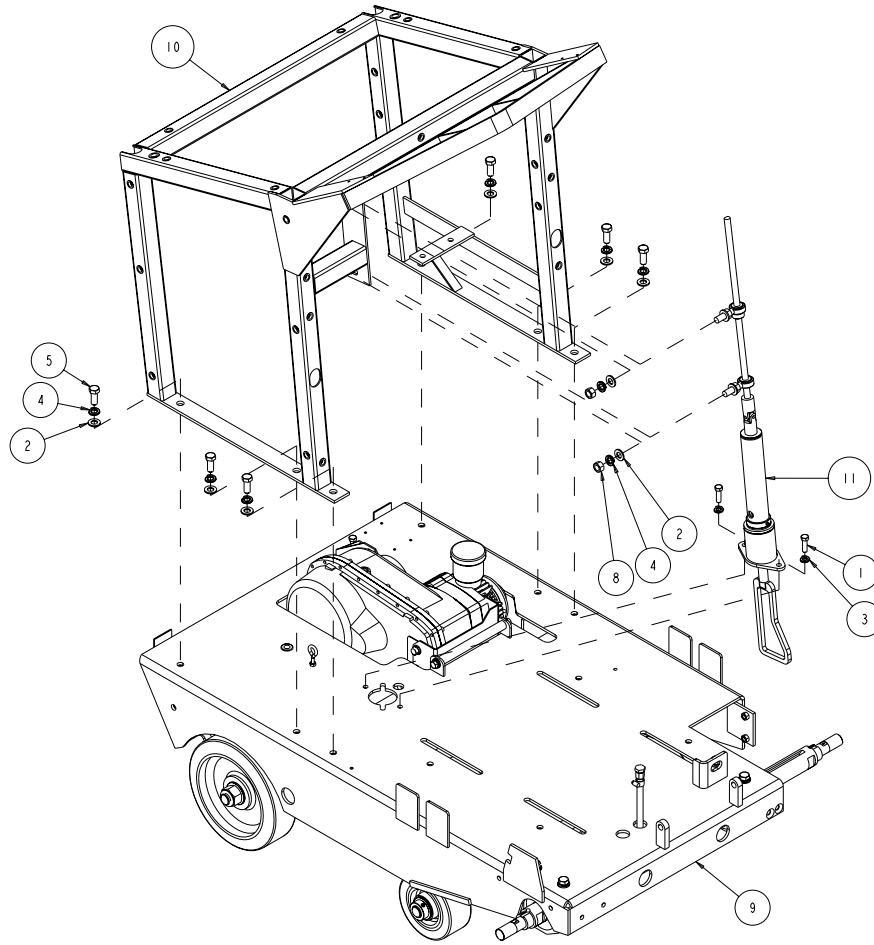
| ITEM NO. | DESCRIPTION | PART # | QTY. REQ. |
|----------|----------------------------------|--------|-----------|
| 1 | WASHER, 1/2 SAE FLAT | 150924 | 4 |
| 2 | SCREW, SHOULDER, 1/2 X 1/2 | 151753 | 4 |
| 3 | SCREW, 1/4 - 20 X 1/2 HEX HEAD | 152608 | 3 |
| 4 | SCREW, 1/4 - 20 X 1/2 TRUSS HEAD | 153880 | 2 |
| 5 | NUT, HEX, TW, 1/4 - 20 | 153941 | 1 |
| 6 | BUMPER, 1/4 ID X 1 - 1/200 X 3/4 | 154496 | 2 |
| 7 | WASHER, LOCK, 1/4 INT TOOTH | 162490 | 2 |
| 8 | GROMMET 1/2 X 1.0 | 164207 | 4 |
| 9 | GROMMET, 1 X 1 - 3/4 X 3/32 | 165185 | 1 |
| 10 | BRACKET, RADIATOR BOTTLE | 167208 | 1 |
| 11 | RESERVOIR, COOLANT | 167209 | 1 |
| 12 | RADIATOR, 4 - CORE, 23 X 27.5 | 168726 | 1 |
| 13 | BRACKET, RADIATOR, RH | 169106 | 1 |
| 14 | BRACKET, RADIATOR, LH | 169107 | 1 |
| 15 | SWITCH, TEMP, 185 DEG, 3/8PT | 169295 | 1 |
| 16 | FAN, DUAL, 12VDC, COMP | 169393 | 1 |

FIGURE 10 - PARTS LIST: ASSY, RADIATOR FAN P/N 169393



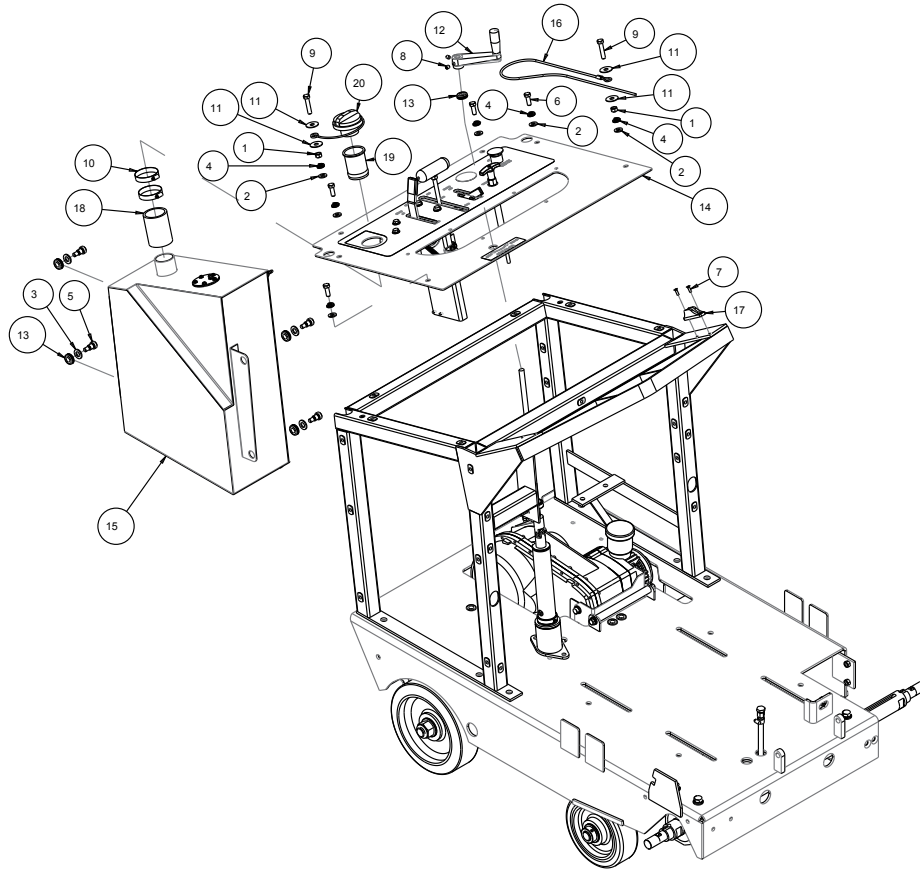
| ITEM NO. | DESCRIPTION | PART # | QTY. REQ. |
|----------|--------------------------------|--------|-----------|
| 1 | WASHER, 1/4 SAE FLAT | 151915 | 14 |
| 2 | SCREW, HEX HD, 1/4 - 20 X 3/4 | 152370 | 8 |
| 3 | WASHER, 1/4 SPLIT LOCK | 152591 | 14 |
| 4 | SCREW, 1/4 - 20 X 1/2 HEX HEAD | 152608 | 6 |
| 5 | NUT, HEX, TW, 1/4 - 20 | 153941 | 1 |
| 6 | SCREW, PAN HD, 1/4 - 20 X 3/4 | 157523 | 1 |
| 7 | RELAY, 12V, 70A | 164969 | 1 |
| 8 | PLUG, HOLE PLASTIC 1.0" | 167941 | 3 |
| 9 | SHROUD, RADIATOR, DUAL 11" FAN | 169105 | 1 |
| 10 | FAN, RADIATOR, 11" DIA, 120DC | 169387 | 2 |
| 11 | WIRE HARNESS, DUAL FAN | 169728 | 1 |

FIGURE 11 - PARTS LIST: ASSY, MK-6000 SUB A P/N 165151



| ITEM NO. | DESCRIPTION | PART# | QTY. REQ. |
|----------|--|--------|-----------|
| 1 | SCREW, 3/8-16 X 1-1/4 HEX HEAD CAP | 150774 | 2 |
| 2 | WASHER, 1/2 SAE FLAT | 150924 | 8 |
| 3 | WASHER, 3/8 SPLIT LOCK | 150925 | 2 |
| 4 | WASHER, 1/2 SPLIT LOCK | 153524 | 8 |
| 5 | SCREW, 1/2 - 13 X 1 - 1/4 HEX HEAD CAP | 153532 | 6 |
| 6 | NUT, 1/2 - 13 NYLOK HEX | 155162 | 1 |
| 7 | SCREW, HEX HD, TAP, 1/2 - 13 X 4 | 156626 | 1 |
| 8 | NUT, 1/2 - 20 HEX | 162586 | 2 |
| 9 | ASSY, MAIN FRAME | 165160 | 1 |
| 10 | TOWER | 165289 | 1 |
| 11 | ASSY, DEPTH STOP | 165602 | 1 |

FIGURE 12 - PARTS LIST: ASSY, MK-6000 SUB B P/N 165151



| ITEM NO. | DESCRIPTION | PART # | QTY. REQ. |
|----------|------------------------------------|----------|-----------|
| 1 | NUT, HEX, 3/8 - 16 | 101188 | 2 |
| 2 | WASHER, 3/8 SAE FLAT | 150923 | 6 |
| 3 | WASHER, 1/2 SAE FLAT | 150924 | 4 |
| 4 | WASHER, 3/8 SPLIT LOCK | 150925 | 6 |
| 5 | SCREW, SHOULDER, 1/2 X 1/2 | 151753 | 4 |
| 6 | SCREW, HEX HD CAP, 3/8 - 16 X 1 | 152507 | 4 |
| 7 | SCREW, FLAT HD 10-24 X 5/8 | 154295 | 2 |
| 8 | SCREW, 5/16-18 3/8 SOCKET HEAD SET | 157083 | 2 |
| 9 | SCREW, 3/8 - 16 X 1 - 3/4 HEX HD | 158398 | 2 |
| 10 | CLAMP, HOSE, 1 - 5/16 TO 2 - 1/4 | 162816 | 2 |
| 11 | WASHER, FENDER, 3/8 ID X 1-1/2 OD | 163269 | 4 |
| 12 | HANDLE, DEPTH STOP (COMP) | 163987 | 1 |
| 13 | GROMMET 1/2 X 1.0 | 164207 | 5 |
| 14 | ASSY, CONTROL PANEL | 165336 | 1 |
| 15 | ASSY FUEL TANK, DIESEL | 165601 | 1 |
| 16 | ASSY, CABLE, POINTER | 165739 | 1 |
| 17 | CLEAT, 1/8" CABLE | 165740 | 1 |
| 18 | HOSE, 2.0 ID FUELFILL (COMP) | 167213 | 1 |
| 19 | NECK, 2" FUEL FILLER | 167219-D | 1 |
| 20 | CAP, 2" FUEL FILLER | 167220 | 1 |

FIGURE 13 - PARTS LIST: ASSY, MK-6000 SUB C P/N 165151

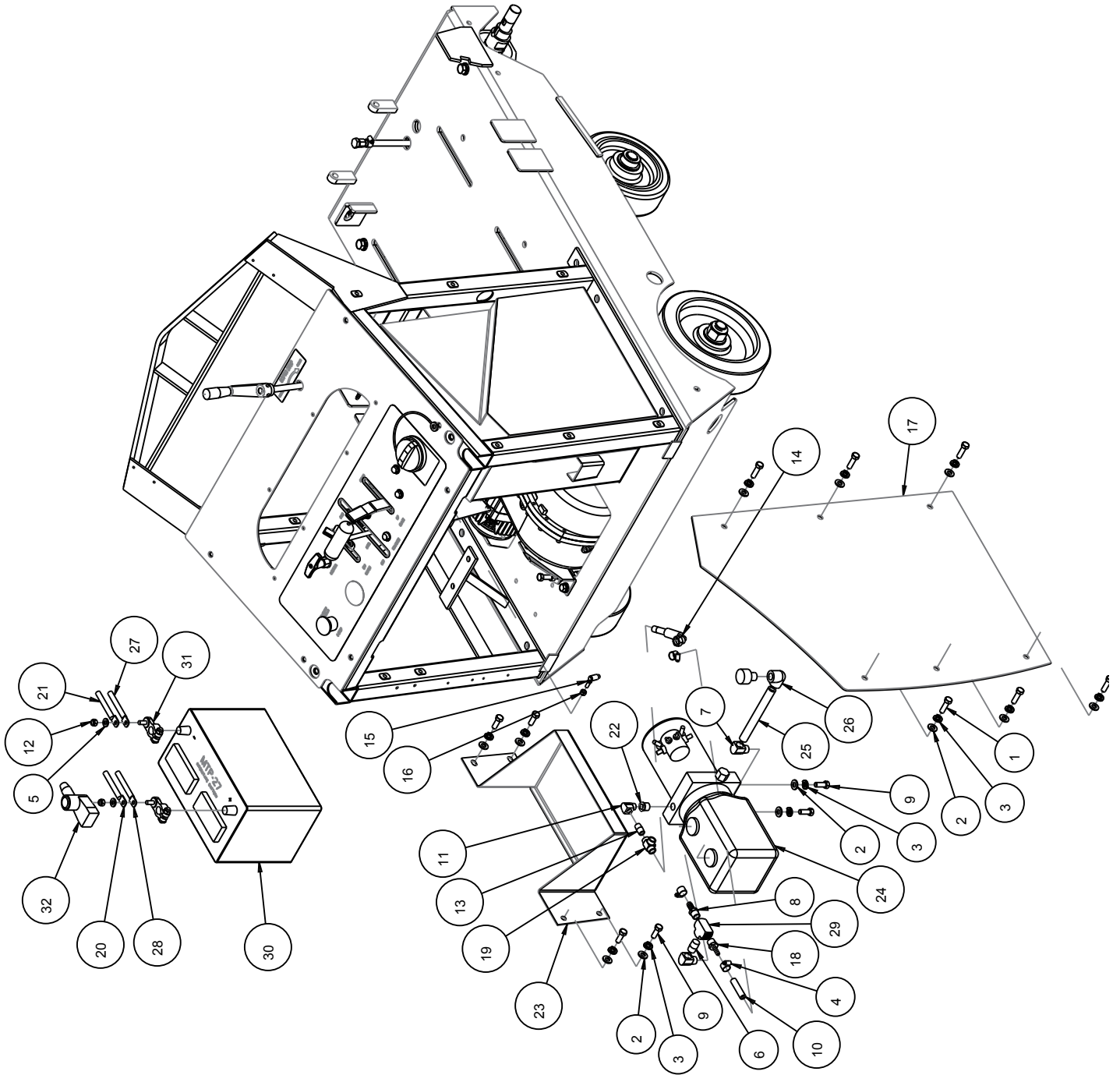


FIGURE 13 - PARTS LIST: ASSY, MK-6000 SUB C P/N 165151

| ITEM NO. | DESCRIPTION | PART # | QTY. REQ. |
|----------|--|--------|-----------|
| 1 | SCREW, 3/8 - 16 X 1 - 1/4 HEX HEAD CAP | 150774 | 6 |
| 2 | WASHER, FLAT, SAE, 3/8 | 150923 | 12 |
| 3 | WASHER, LOCK, SPLIT, 3/8 | 150925 | 12 |
| 4 | CLAMP, 5/8 HOSE | 151198 | 3 |
| 5 | WASHER, FLAT, SAE, 5/16 | 151754 | 2 |
| 6 | NIPPLE, 3.8 MNPT X CLOSE | 152073 | 1 |
| 7 | ELBOW, STREET, 3/8 NPT X 90, BRASS | 152074 | 2 |
| 8 | FITTING, 3.8 MNPT X 3.8 BARB | 152076 | 1 |
| 9 | SCREW, HEX HD CAP, 3/8 - 16 X 1 | 152507 | 6 |
| 10 | HOSE, 1/4 FUEL, 36" LONG | 154163 | 1 |
| 11 | ELBOW, 1/4MNPT STREET | 154615 | 1 |
| 12 | NUT, HEX, NYLK, 5/16 - 18 | 158289 | 2 |
| 13 | NIPPLE, 1/4 NPT X CLOSE, BRASS | 159905 | 1 |
| 14 | HOSE, 1/4NPT X 9/16JIC90 HYD | 162600 | 1 |
| 15 | BALL, JOINT, 30 SERIES | 162859 | 1 |
| 16 | NUT, HEX, NYLK, 1/4 - 28 | 163936 | 1 |
| 17 | PANEL, TOWER R/H | 165343 | 1 |
| 18 | FITTING, 3/8 MNPT X 1/4 BARB, BRASS | 167239 | 1 |
| 19 | FITTING, TEE, 1/4 FNPT, BRASS | 167272 | 1 |
| 20 | CABLE, 4GA X 29 RED BATTERY | 167273 | 1 |
| 21 | CABLE, BATTERY, BLACK, 4GA 36" | 167289 | 1 |
| 22 | FITTING, 3/8 MNPT X 1/4 FNPT | 167506 | 1 |
| 23 | BOX, BATTERY, 90AH | 168728 | 1 |
| 24 | PUMP, HYDRAULIC | 168752 | 1 |
| 25 | NIPPLE, 3/8NPT X 6.0, PLAS | 169372 | 1 |
| 26 | ELBOW, 3/8NPT, PLAS | 169373 | 1 |
| 27 | CABLE, BATTERY, 4GA X 60 BLACK | 169376 | 1 |
| 28 | CABLE, BATTERY, 4GA X 65 RED | 169378 | 1 |
| 29 | TEE, 3/8NPT, BRASS | 170387 | 1 |
| 30 | BATTERY, 12 VOLT 90 AMP-HOUR | 170457 | 1 |
| 31 | TERMINAL, BATTERY, MARINE POST | 170459 | 2 |
| 32 | INSULATOR, BATTERY TERM, MARINE | 170460 | 1 |

FIGURE 14 - PARTS LIST: ASSY, MK-6000 SUB D P/N 165151

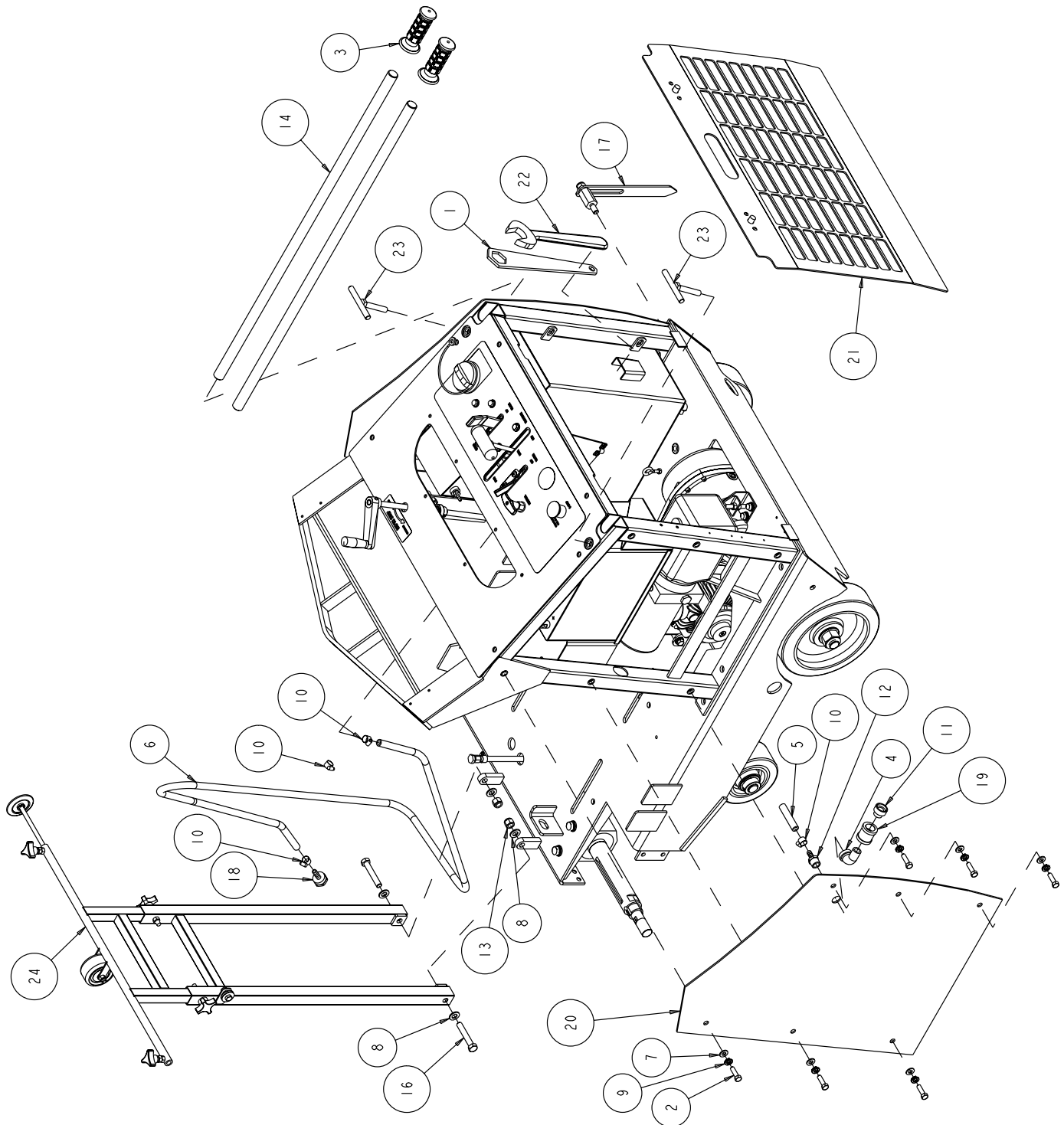
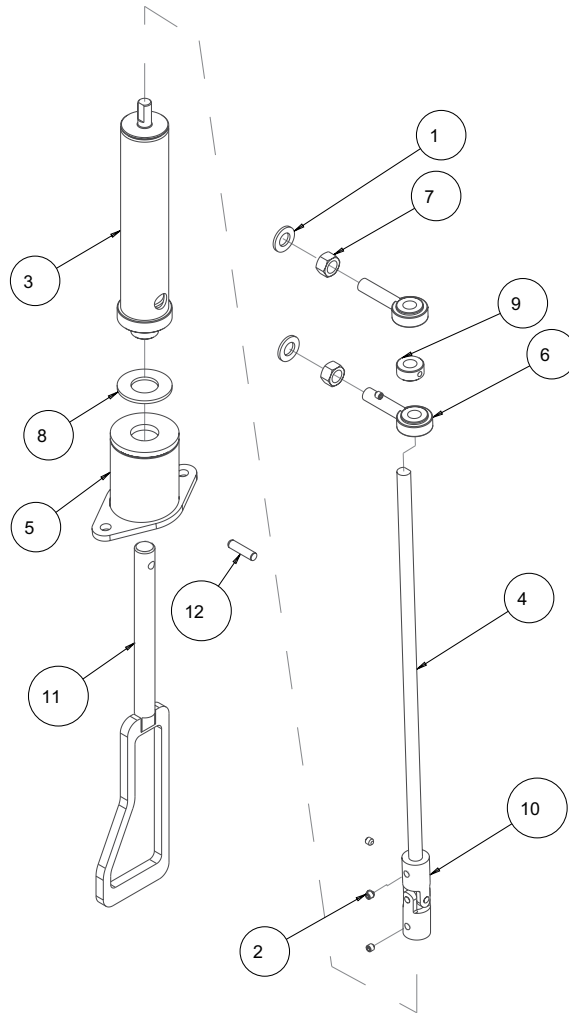


FIGURE 14 - PARTS LIST: ASSY, MK-6000 SUB D P/N 165151

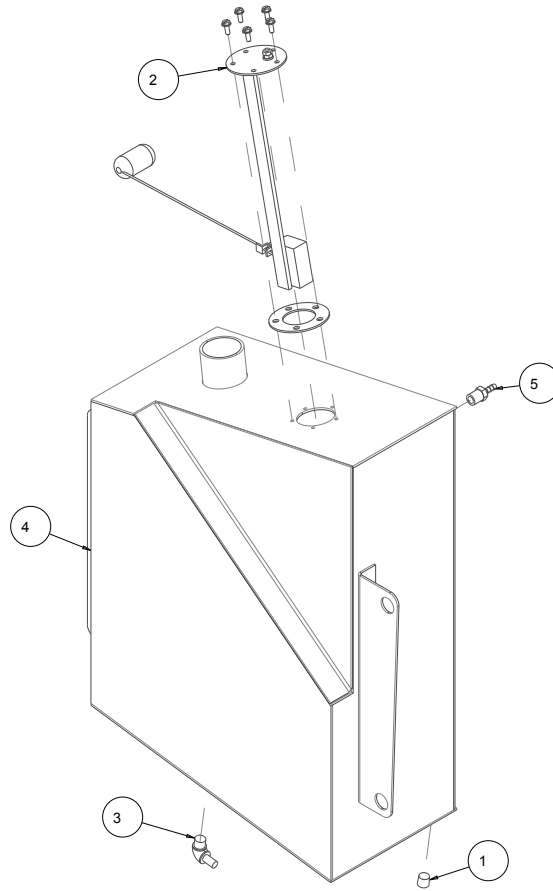
| ITEM NO. | DESCRIPTION | PART # | QTY. REQ. |
|----------|--|--------|-----------|
| 1 | WRENCH, BOX END, 1 - 1/2 X 9/16 | 137976 | 1 |
| 2 | SCREW, 3/8 - 16 X 1 - 1/4 HEX HEAD CAP | 150774 | 6 |
| 3 | GRIP, HANDLE, 1.0 ID | 150842 | 2 |
| 4 | ELBOW, 1/2 MNPT 90 STREET , GALV | 150844 | 1 |
| 5 | HOSE, 3/8 X 5/8 VINYL, 8" | 150845 | 1 |
| 6 | HOSE, 3/8 X 5/8 VINYL, 18" | 150845 | 1 |
| 7 | WASHER, FLAT, SAE, 3/8 | 150923 | 6 |
| 8 | WASHER, 1/2 SAE FLAT | 150924 | 4 |
| 9 | WASHER, LOCK, SPLIT, 3/8 | 150925 | 6 |
| 10 | CALMP, 5/8 HOSE | 151198 | 4 |
| 11 | FITTING, 1/2 MNPT X 3/8 FNH | 151322 | 1 |
| 12 | FITTING, 1/2 MNPT X 3/8 BARB | 153653 | 1 |
| 13 | NUT, 1/2 - 13 NYLOK HEX | 155162 | 2 |
| 14 | HANDLEBAR | 161158 | 2 |
| 15 | PALLET, 4000 | 162658 | 1 |
| 16 | SCREW, HEX HD, CAP, 1/2 - 13 X 3 | 163216 | 2 |
| 17 | ASSY, REAR POINTER | 163824 | 1 |
| 18 | FITTING, 3/4 X 11.5 FNH X 3/8 BARB | 163991 | 1 |
| 19 | FITTING, 1/2 NPT COUPLER | 164208 | 1 |
| 20 | PANEL, TOWER L/H | 165342 | 1 |
| 21 | ASSY, BACK PANEL, LATCHING | 165344 | 1 |
| 22 | WRENCH, 1 - 3/8 OPEN END | 168750 | 1 |
| 23 | KNOB, T-HANDLE, 1/2 - 13 X 2 | 168751 | 2 |
| 24 | ASSY, POINTER, FRONT | 169111 | 1 |

FIGURE 15 - PARTS LIST: ASSY, DEPTH STOP P/N 165602



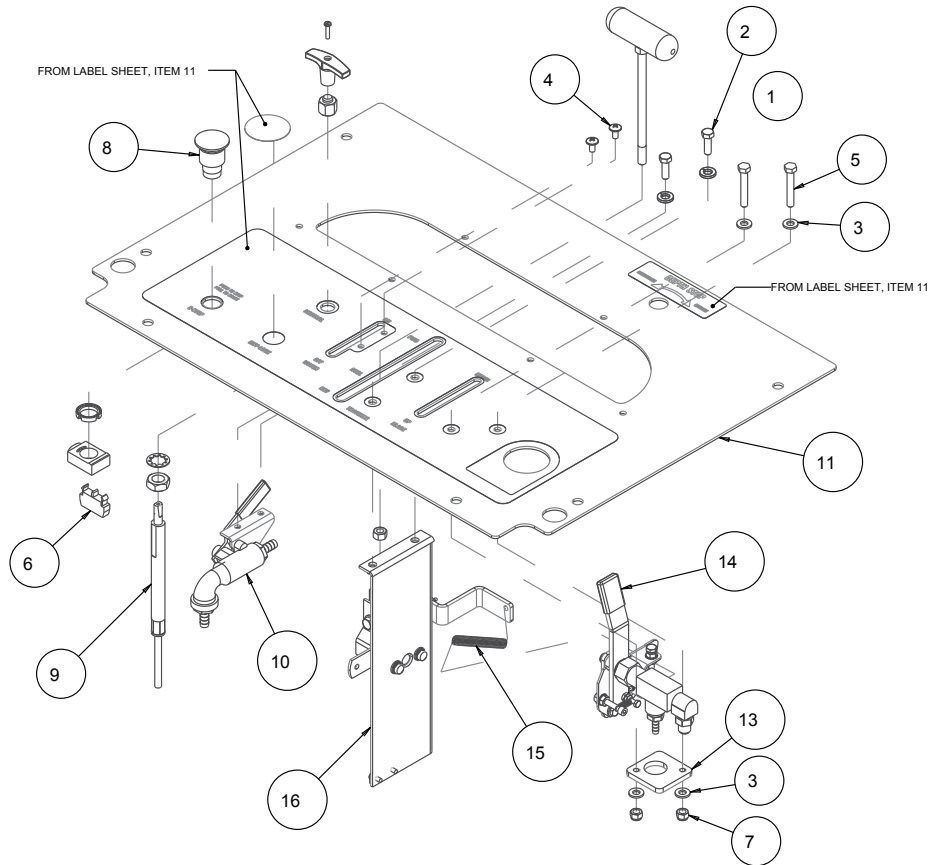
| ITEM NO. | DESCRIPTION | PART # | QTY. REQ. |
|----------|------------------------------------|--------|-----------|
| 1 | WASHER, 1/2 SAE FLAT | 150924 | 2 |
| 2 | SCREW, SET, CUP PT 5/16 - 18 X 1/4 | 152607 | 4 |
| 3 | TUBE, DEPTH STOP | 161138 | 1 |
| 4 | ARM, DEPTH STOP LINKAGE | 161156 | 1 |
| 5 | CUP, DEPTH STOP | 162582 | 1 |
| 6 | ROD END, 1/2" BALL JOINT | 162583 | 2 |
| 7 | NUT, 1/2 - 20 HEX | 162586 | 2 |
| 8 | BEARING, 1 X 2 X 1/8 BRONZE THRUST | 162623 | 1 |
| 9 | COLLAR, SHAFT, 1/2 | 162633 | 1 |
| 10 | U-JOINT, 1.0 OD X 0.5 ID (COMP) | 163988 | 1 |
| 11 | SCREW, DEPTH STOP | 165288 | 1 |
| 12 | PIN, 5/16 X 1-1/4 GROOVE | 171037 | 1 |

FIGURE 16 - PARTS LIST: ASSY, FUEL TANK P/N 165601



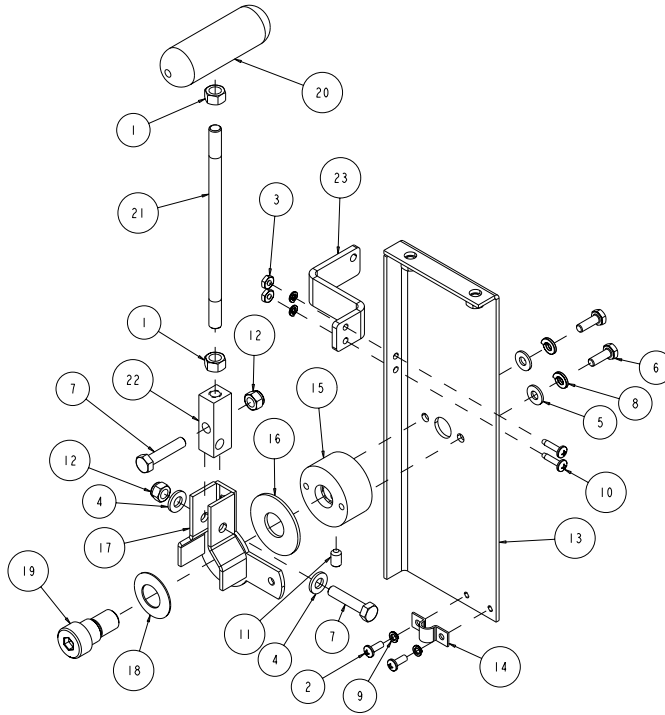
| ITEM NO. | DESCRIPTION | PART # | QTY. REQ. |
|----------|----------------------------------|--------|-----------|
| 1 | PLUG, 1/4NPT HEX SOCKET | 154679 | 1 |
| 2 | SENDER, FUEL | 162636 | 1 |
| 3 | ELBOW, 1/4MNPT X 5/16BARB, BRASS | 164278 | 1 |
| 4 | TANK, FUEL | 165286 | 1 |
| 5 | FITTING, 1/4MNPT X 3/16 BARB | 169361 | 1 |

FIGURE 17 - PARTS LIST: ASSY, CONTROL PANEL, P/N 165336



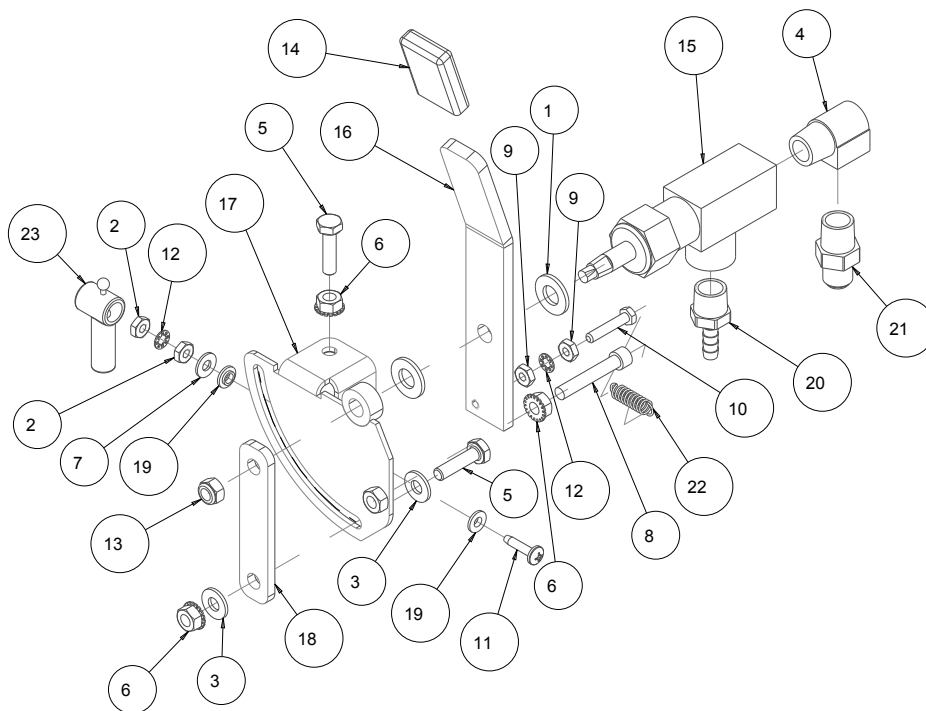
| ITEM NO. | DESCRIPTION | PART # | QTY. REQ. |
|----------|-------------------------------------|--------|-----------|
| 1 | WASHER, 3/8 SPLIT LOCK | 150925 | 2 |
| 2 | SCREW, 5/16-18 X 1 HEX HEAD MACHINE | 151743 | 2 |
| 3 | WASHER, 5/16 SAE FLAT | 151754 | 4 |
| 4 | SCREW, 1/4-20 X 1/2 TRUSS HEAD | 153880 | 2 |
| 5 | SCREW, 5/16-18 X 2 HEX HEAD | 155494 | 2 |
| 6 | CONTACTS, NC | 156204 | 1 |
| 7 | NUT, 5/16-18 NYLOK HEX | 158289 | 2 |
| 8 | ASSY, SWITCH BUTTON, GAS | 162080 | 1 |
| 9 | CABLE, T2L, CONTROL, N- COMP | 163934 | 1 |
| 10 | ASSY, WATER VALVE | 164161 | 1 |
| 11 | PANEL, CONTROL | 165337 | 1 |
| 12 | LABEL, SET, CONTROL PANEL | 167218 | 1 |
| 13 | PLATE, UP/DOWN CONTROL MOUNT | 167232 | 1 |
| 14 | ASSY, UP/DOWN CONTROL | 167233 | 1 |
| 15 | SPRING, EXT, 7/160D X .048WD X 3.0L | 167270 | 1 |
| 16 | ASSY, CONTROLHEAD, FNR | 168753 | 1 |

FIGURE 18 - PARTS LIST: ASSY, CONTROLHEAD, FNR SUB P/N 168753



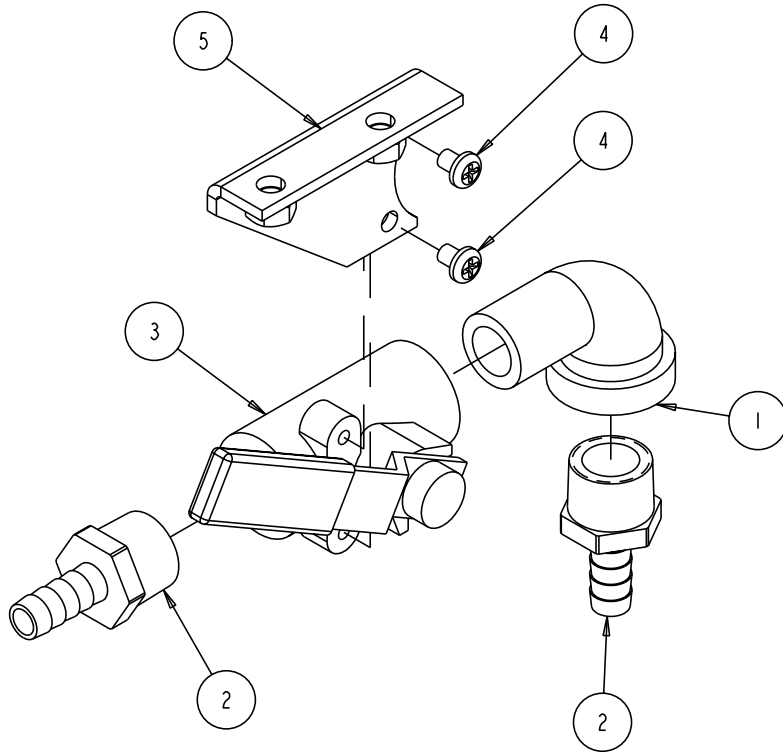
| ITEM NO. | DESCRIPTION | PART # | QTY. REQ. |
|----------|--|--------|-----------|
| 1 | NUT, 3/8-16 HEX | 101188 | 2 |
| 2 | SCREW, 10-24 X 1/2 PAN HEAD PHILLIPS MACHINE | 151744 | 2 |
| 3 | NUT, 10-24 HEX | 151749 | 2 |
| 4 | WASHER, 5/16 SAE FLAT | 151754 | 2 |
| 5 | WASHER, 1/4 SAE FLAT | 151915 | 2 |
| 6 | SCREW, HEX HD, 1/4 - 20 X 3/4 | 152370 | 2 |
| 7 | SCREW, 5/16-18 X 1-1/2 HEX HEAD MACHINE | 152467 | 2 |
| 8 | WASHER, 1/4 SPLIT LOCK | 152591 | 2 |
| 9 | WASHER, #10 SPLIT LOCK | 153684 | 4 |
| 10 | SCREW, PAN HD PHIL MS 10-24X3/4 | 156641 | 2 |
| 11 | SCREW, 5/16 - 18 X 3/8 SOCKET HEAD SET | 157084 | 1 |
| 12 | NUT, 5/16-18 NYLOK HEX | 158289 | 2 |
| 13 | BRACKET, FNR CONTROL | 162634 | 1 |
| 14 | CLAMP, 30 SERIES CONDUIT | 162860 | 1 |
| 15 | JOURNAL, FNR CONTROL | 162889 | 1 |
| 16 | WASHER, 2.0 X .812 X .088 NYLON | 162890 | 1 |
| 17 | BRACKET, FNR PIVOT | 162891 | 1 |
| 18 | SPRING, 1.50 X .755 X .045, DISK | 162892 | 1 |
| 19 | SCREW, 3/4 X 1/2 SOCKET HEAD SHOULDER | 162893 | 1 |
| 20 | HANDLE, FNR GRIP | 167227 | 1 |
| 21 | BAR, FNR HANDLE | 167228 | 1 |
| 22 | BLOCK, FNR HANDLE | 167229 | 1 |
| 23 | BRACKET, FNR SPRING | 167231 | 1 |

FIGURE 19 - PARTS LIST: ASSY, UP/DOWN CONTROL P/N 167233



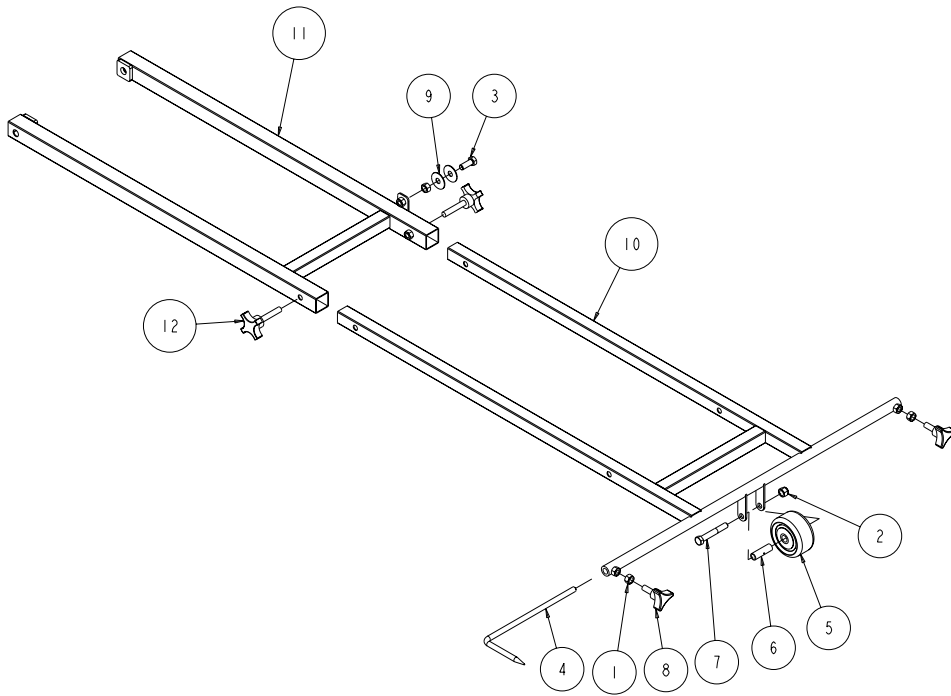
| ITEM NO. | DESCRIPTION | PART # | QTY. |
|----------|---|--------|------|
| 1 | WASHER, 3/8 SAE FLAT | 150923 | 2 |
| 2 | NUT, 10-24 HEX | 151749 | 2 |
| 3 | WASHER, 1/4 SAE FLAT | 151915 | 2 |
| 4 | ELBOW, STREET, 3/8 NPT X 90, BRASS | 152074 | 1 |
| 5 | SCREW, HEX HD TAP, 1/4-20 X 1 | 152676 | 2 |
| 6 | NUT, HEX TW, 1/4-20 | 153941 | 3 |
| 7 | WASHER, #10 SAE FLAT | 154369 | 1 |
| 8 | SCREW, SOC HD CAP, 1/4- 20 X 1 | 154683 | 1 |
| 9 | NUT, HEX 10-32 | 156269 | 2 |
| 10 | SCREW, 10-32 X 1 HEX HEAD CAP | 156270 | 1 |
| 11 | SCREW, PAN HD PHIL MS 10-24X3/4 | 156641 | 1 |
| 12 | WASHER, LOCK, IT, #10 | 158336 | 2 |
| 13 | NUT, HEX, NYLK, 1/4-28 | 163936 | 1 |
| 14 | CAP, PUSH-ON, VINYL, 1 X 1/4 | 167216 | 1 |
| 15 | VALVE, 3/8 ANGLE NEEDLE | 167234 | 1 |
| 16 | HANDLE, UP/DOWN CONTROL | 167235 | 1 |
| 17 | PLATE, UP/DOWN ADJ | 167236 | 1 |
| 18 | ARM, DEPTH CONTROL ADJ | 167237 | 1 |
| 19 | WASHER, 5/16 FLANGED PLASTIC | 167238 | 2 |
| 20 | FITTING, 3/8 MNPT X 1/4 BARB, BRASS | 167239 | 1 |
| 21 | FITTING, 3/8 NPT X 3/8 JIC | 167240 | 1 |
| 22 | SPRING, EXTENSION .30OD X 3/4L X .037WIRE | 167241 | 1 |
| 23 | INSULATOR, EYELET TERMINAL, RED | 170718 | 1 |

FIGURE 20 - PARTS LIST: ASSY, WATER VALVE P/N 164161



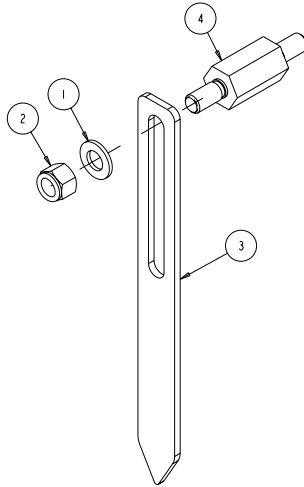
| ITEM NO. | DESCRIPTION | PART # | QTY. REQ. |
|----------|---------------------------------|--------|-----------|
| 1 | ELBOW, 1/2 MNPT 90 STREET, GALV | 1 | 150848 |
| 2 | FITTING, 1/2 MNPT X 3/8 BARB | 2 | 153653 |
| 3 | VALVE, BALL 1/2" | 1 | 153796 |
| 4 | SCREW, PAN HD PHIL 10-24 X 5/16 | 2 | 159494 |
| 5 | BRACKET, WATER VALVE | 1 | 162650 |

FIGURE 21 - PARTS LIST: ASSY, POINTER, FRONT P/N 169111



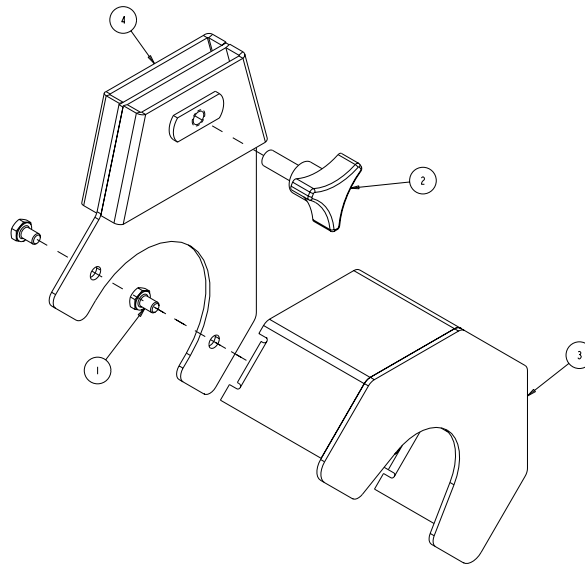
| ITEM NO. | DESCRIPTION | PART # | QTY. REQ. |
|----------|-------------------------------------|--------|-----------|
| 1 | NUT, 3/8-16 HEX | 101188 | 3 |
| 2 | NUT, 3/8-16 NYLOK HEX | 152505 | 1 |
| 3 | SCREW, HEX HD CAP, 3/8 - 16 X 1 | 152507 | 1 |
| 4 | WHEEL, POINTER, 3" | 155066 | 1 |
| 5 | BUSHING, 3/8 ID X 1-5/8L | 155153 | 1 |
| 6 | SCREW, 3/8-16 X 2-1/2 HEX HEAD CAP | 156030 | 1 |
| 7 | KNOB, 3 PRONG 3/8-16 X 1 | 156175 | 2 |
| 8 | WASHER, FENDER, 3/8 ID X 1 - 1/2 OD | 163269 | 2 |
| 9 | ASSY, POINTER WHEEL | 165238 | 1 |
| 10 | POINTER ARM, UPPER | 160938 | 1 |
| 11 | POINTER ARM, LOWER | 169113 | 1 |
| 12 | KNOB, 4 PRONG 3/8 -16 X 2 | 169114 | 2 |

FIGURE 22 - PARTS LIST: ASSY, REAR POINTER P/N 163824



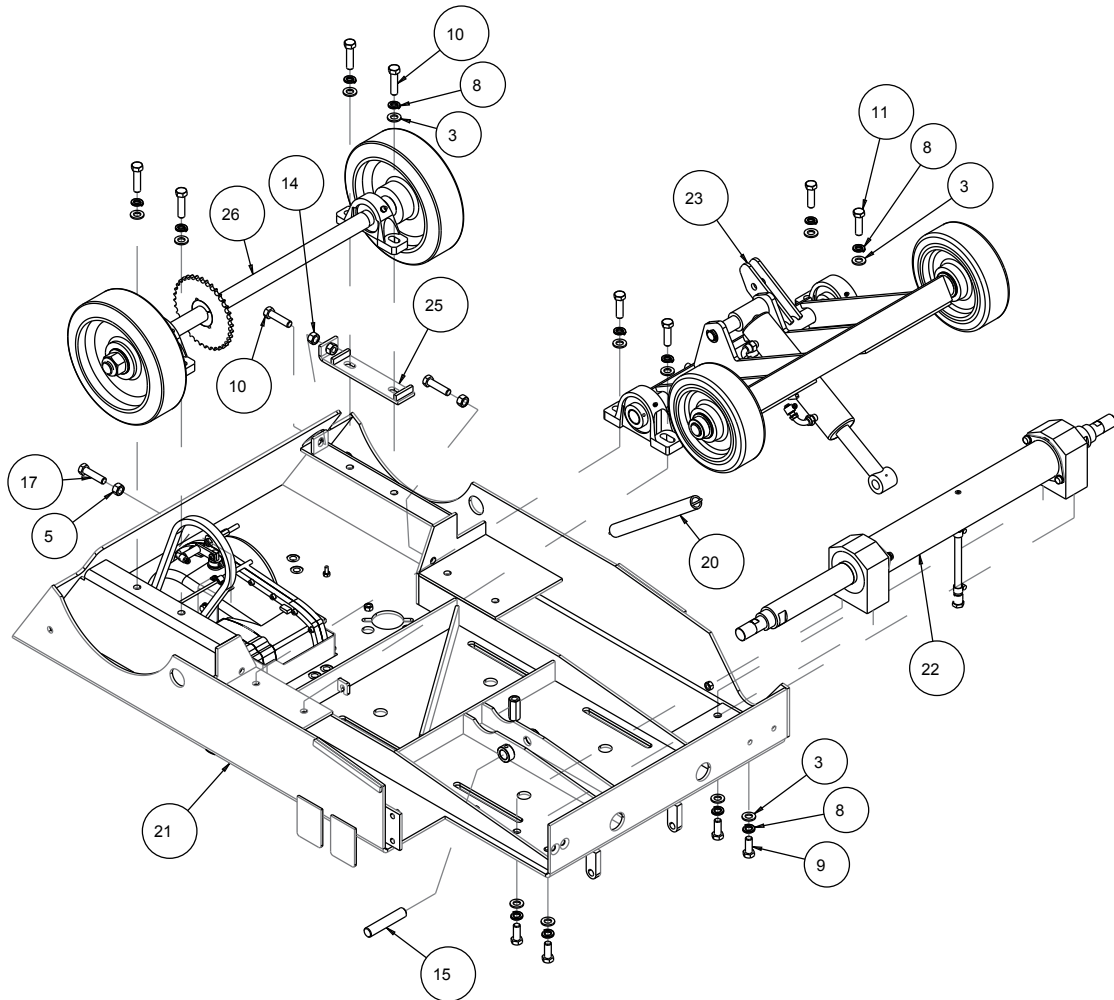
| ITEM NO. | DESCRIPTION | PART # | QTY. REQ. |
|----------|-------------------------|--------|-----------|
| 1 | WASHER, 1/2 SAE FLAT | 150924 | 1 |
| 2 | NUT, 1/2 - 13 NYLOK HEX | 155162 | 1 |
| 3 | ARM, REAR POINTER | 160951 | 1 |
| 4 | STANDOFF, REAR POINTER | 163825 | 1 |

FIGURE 23 - PARTS LIST: ASSY, SHAFT GUARD P/N 166056



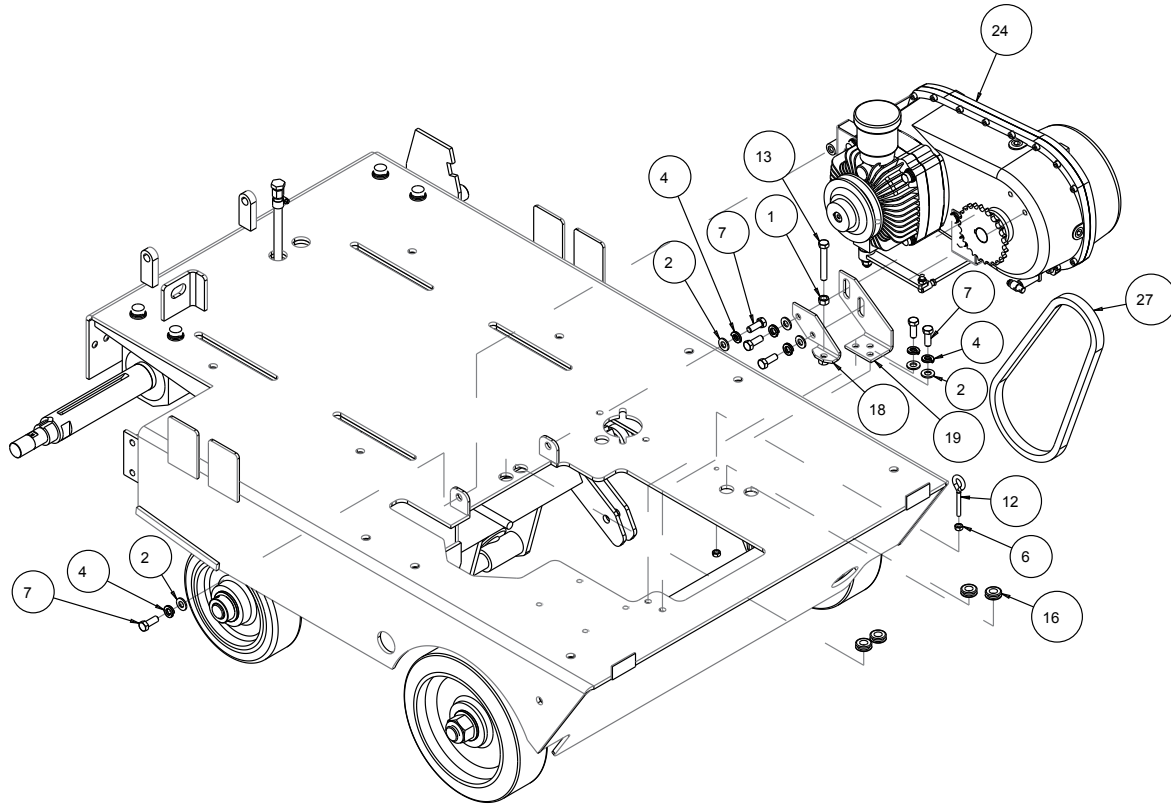
| ITEM NO. | DESCRIPTION | PART # | QTY. REQ. |
|----------|------------------------------|--------|-----------|
| 1 | SCREW, HEX HD 1/4 - 20 X 3/8 | 153526 | 2 |
| 2 | KNOB, 3 PRONG 3/8 - 16 X 1 | 156175 | 1 |
| 3 | GUARD, SHAFT | 161109 | 1 |
| 4 | BACK PLATE, SHAFT GUARD | 166057 | 1 |

FIGURE 24 - PARTS LIST: ASSY, FRAME SUB P/N 165160



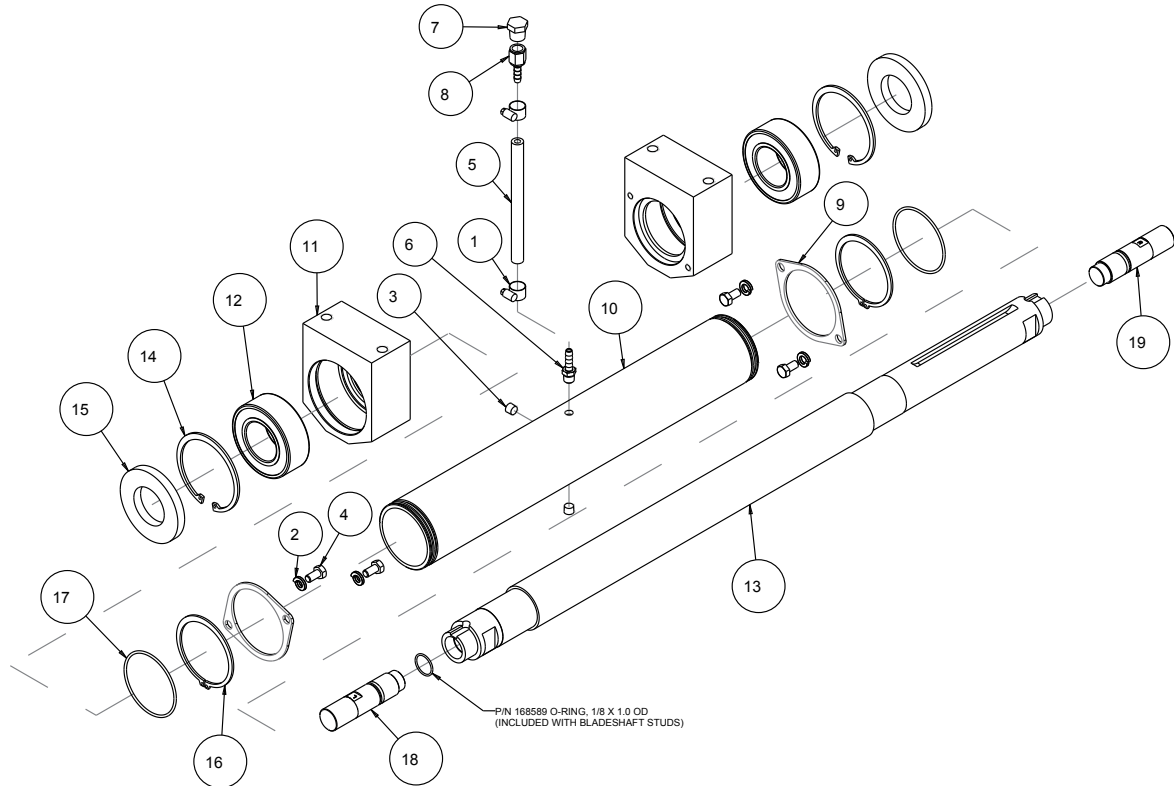
| ITEM NO. | DESCRIPTION | PART # | QTY. REQ. |
|----------|--|--------|-----------|
| 1 | NUT, HEX, 3/8 - 16 | 101188 | 1 |
| 2 | WASHER, FLAT, SAE, 3/8 | 150923 | 6 |
| 3 | WASHER, 1/2 SAE FLAT | 150924 | 12 |
| 4 | WASHER, LOCK, SPLIT, 3/8 | 150925 | 6 |
| 5 | NUT, 1/2 - 13 HEX | 151282 | 2 |
| 6 | NUT, HEX, 1/4 - 20 | 151893 | 2 |
| 7 | SCREW, HEX HD CAP, 3/8 - 16 X 1 | 152507 | 6 |
| 8 | WASHER, 1/2 SPLIT LOCK | 153524 | 12 |
| 9 | SCREW, 1/2 - 13 X 1 -1/4 HEX HEAD CAP | 153532 | 4 |
| 10 | SCREW, HEX HD 1/2 - 13 X 2 | 153533 | 5 |
| 11 | SCREW, 1/2 - 13 X 1 - 3/4 HEX HEAD CAP | 153853 | 4 |
| 12 | EYEBOLT, 1/4 - 20 X 2 | 153887 | 1 |
| 13 | BOLT, 3/8 - 16 X 2 - 1/2 HEX HEAD CAP | 155589 | 1 |
| 14 | NUT, 1/2 - 13 CENTERBLOCK HEX | 156279 | 1 |

FIGURE 24 - PARTS LIST: ASSY, FRAME SUB P/N 165160



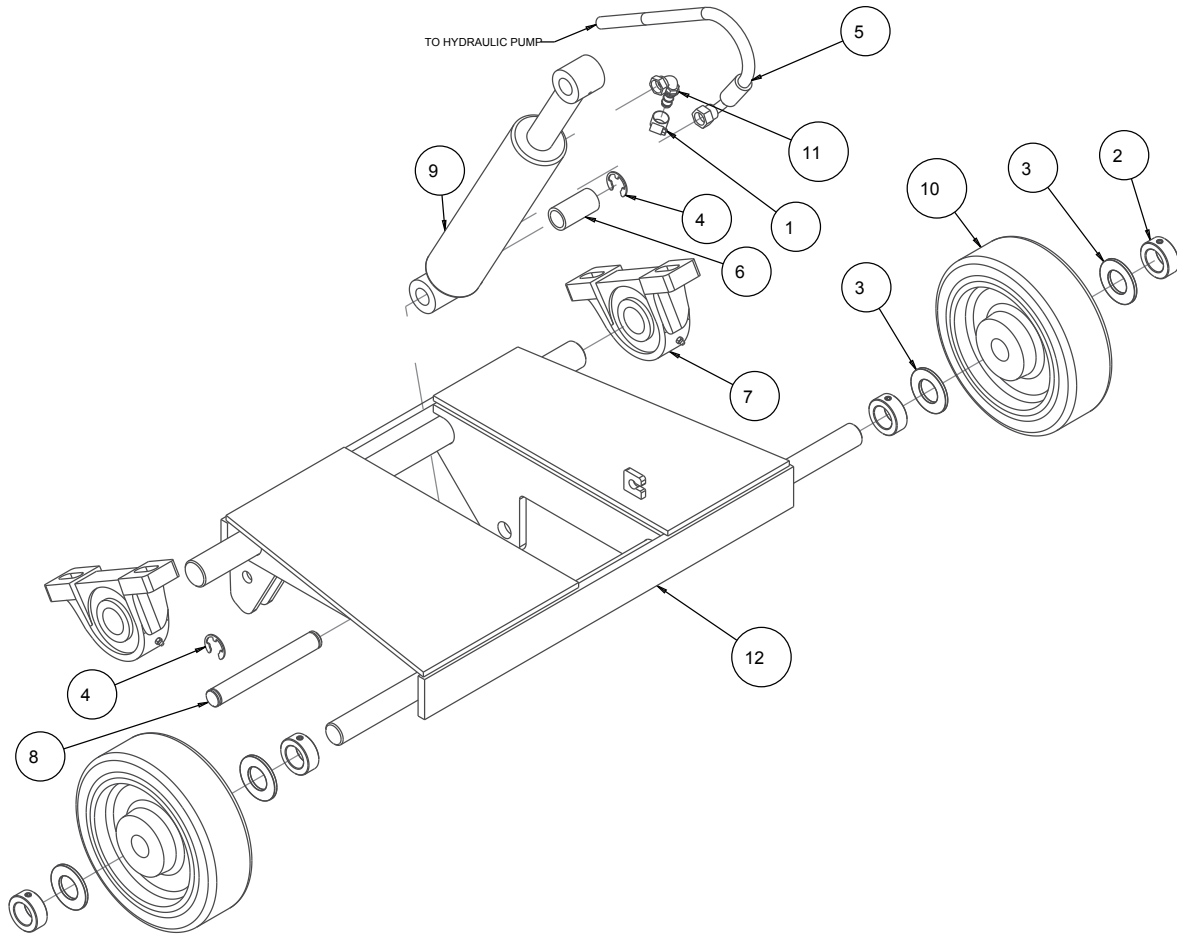
| ITEM NO. | DESCRIPTION | PART # | QTY. REQ. |
|----------|------------------------------------|--------|-----------|
| 15 | PIN, Ø3/4 X 3 - 1/2 CLEVIS | 161164 | 1 |
| 16 | GROMMET, 1/2 X 1.0 | 162493 | 4 |
| 17 | BOLT, 1/2 - 13 X 2.0 HEX HEAD TAP | 162598 | 2 |
| 18 | BRACKET, TRANS LIFT, ADJ | 162743 | 1 |
| 19 | BRACKET, TRANS MOUNT FIXED | 162744 | 1 |
| 20 | SPRING, 1.0 X 7.0 X .135 EXTENTION | 162830 | 1 |
| 21 | FRAME, MAIN | 165159 | 1 |
| 22 | ASSY, BLADE SHAFT, 45MM | 165583 | 1 |
| 23 | ASSY, TRUCK, 6000FP | 165592 | 1 |
| 24 | ASSY, TRANSMISSION | 166338 | 1 |
| 25 | PLATE, REAR AXLE ALIGN | 168293 | 1 |
| 26 | ASSY, REAR AXLE | 168581 | 1 |
| 27 | CHAIN, ROLLER, #40 X 34" +C/L | 168585 | 1 |

FIGURE 25 - PARTS LIST: ASSY, BLADE SHAFT P/N 165583



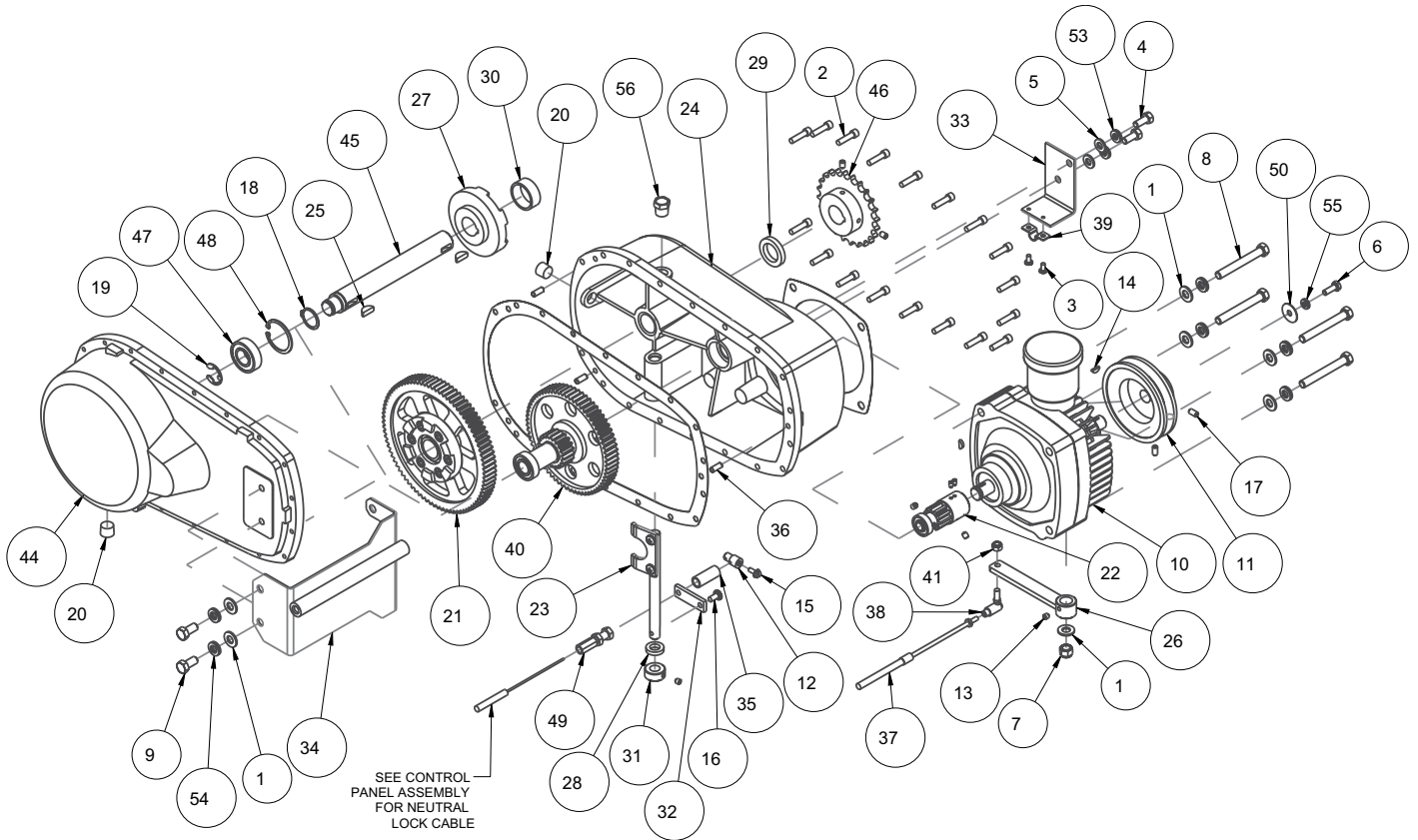
| ITEM NO. | DESCRIPTION | PART # | QTY. REQ. |
|----------|-------------------------------------|--------|-----------|
| 1 | CLAMP, 5/8 HOSE | 151198 | 2 |
| 2 | WASHER, 5/16 SPLIT LOCK | 151747 | 4 |
| 3 | PLUG, 1/8NPT HEX SOCKET | 152472 | 2 |
| 4 | SCREW, 5/16-18 X 5/8 HEX HEAD CAP | 153949 | 4 |
| 5 | HOSE, 1/4 FUEL | 154163 | 1 |
| 6 | FITTING, 1/8 MNPT X 1/4 BARB | 155809 | 1 |
| 7 | PLUG, 3/8NPT BRONZE BREATHER | 161209 | 1 |
| 8 | FITTING, 1/4 FNPT X 1/4 BARB | 162601 | 1 |
| 9 | FLANGE, 3" BLADESHAFT TUBE | 165456 | 2 |
| 10 | TUBE, 45MM BLADE SHAFT | 165584 | 1 |
| 11 | BLOCK, 85MM BEARING | 165586 | 2 |
| 12 | BEARING, 45 X 85 X 30.2, D-ROW BALL | 165587 | 2 |
| 13 | SHAFT, 45MM BLADE | 165588 | 1 |
| 14 | RING, 85MM INTERNAL RETAINING | 165589 | 2 |
| 15 | SEAL, 45MM X 85MM OIL | 165590 | 2 |
| 16 | RING, RETAINING, 3 EXTERNAL | 165591 | 2 |
| 17 | O-RING, 3/32 X 30D | 168586 | 2 |
| 18 | STUD, BLADESHAFT, LH THREAD | 168587 | 1 |
| 19 | STUD, BLADESHAFT, RH THREAD | 168588 | 1 |

FIGURE 26 - PARTS LIST: ASSY, TRUCK, FRT PIVOT P/N 165592



| ITEM NO. | DESCRIPTION | PART # | QTY. REQ. |
|----------|-----------------------------------|--------|-----------|
| 1 | CLAMP, HOSE, 5/8 | 151198 | 1 |
| 2 | COLLAR, 1.0 SHAFT | 160849 | 4 |
| 3 | WASHER, 1 SAE FLAT | 160851 | 4 |
| 4 | RING, .75 E-STYLE RETAINING | 161163 | 2 |
| 5 | HOSE, 1/4NPT X 9/16JIC90 HYD | 162600 | 1 |
| 6 | SPACER, 1.0 X .75 X 1.94 | 164046 | 1 |
| 7 | BEARING, 1 - 3/16 ID PILLOW BLOCK | 165593 | 2 |
| 8 | PIN, Ø3/4 X 5 CLEVIS | 165594 | 1 |
| 9 | CYLINDER, 6" HYDRAULIC | 165595 | 1 |
| 10 | WHEEL, 8 X 2 - 1/2 X 1 | 170378 | 2 |
| 11 | ELBOW, 3/8 FJIC X 3/8 BARB | 170388 | 1 |
| 12 | WELDMENT, TRUCK, 6000FP | 170399 | 1 |

FIGURE 27 - PARTS LIST: ASSY, TRANSMISSION P/N 166338



| ITEM NO. | DESCRIPTION | PART # | QTY. |
|----------|-----------------------------------|--------|------|
| 1 | WASHER, 3/8 SAE FLAT | 150923 | 7 |
| 2 | SCREW, SOC HD CAP, 1/4-20 X 1 | 151049 | 18 |
| 3 | SCREW, PAN HD, #10-24 X 3/8 | 151097 | 2 |
| 4 | SCREW, HEX HD, CAP, 5/16-18 X 3/4 | 151369 | 2 |
| 5 | WASHER, FLAT, SAE, 5/16 | 151754 | 2 |
| 6 | SCREW, HEX HD, 1/4-20 X 3/4 | 152370 | 1 |
| 7 | NUT, 3/8-16 NYLOK HEX | 152505 | 1 |
| 8 | SCREW, 3/8-16 X 3 HEX HEAD CAP | 153113 | 4 |
| 9 | SCREW, HEX, 3/8-16 X 3/4 | 153527 | 2 |
| 10 | PUMP, TRANSMISSION | 153783 | 1 |
| 11 | PULLEY, A4.0 X 17 MM BORE OFFSET | 153826 | 1 |
| 12 | PIN, WIRE STOP | 153842 | 1 |
| 13 | SCREW, SET CUP PT 1/4-20 X 1/4 | 153864 | 1 |
| 14 | KEY, WOODRUFF, 1/8 X 1/2 | 153865 | 2 |
| 15 | SCREW, HEX HD FL 10-24 X 5/16 | 154172 | 1 |

FIGURE 28 - PARTS LIST: ASSY, TRANSMISSION P/N 166338

| ITEM NO. | DESCRIPTION | PART # | QTY. |
|----------|-------------------------------------|--------|------|
| 16 | SCREW, PAN HD, CAP, 1/4-20 X 1/2 | 155452 | 1 |
| 17 | SCREW, 1/4-20 X 1/2 SOCKET HEAD SET | 155804 | 2 |
| 18 | RING, 1" EXTERNAL RETAINING | 161140 | 1 |
| 19 | RING, .75 E-STYLE RETAINING | 161163 | 1 |
| 20 | PLUG, 3/8 NPT HEX SOCKET, GALV | 161208 | 2 |
| 21 | ASSY, ENGAGEMENT GEAR | 161233 | 1 |
| 22 | ASSY, PUMP PINION | 161235 | 1 |
| 23 | ASSY, TRANS FORK 1 | 161237 | 1 |
| 24 | ASSY, TRANS CASE 1 | 161248 | 1 |
| 25 | KEY, WOODRUFF, 1/4 X 3/4 | 161261 | 2 |
| 26 | LEVER, TRANS CONTROL | 161263 | 1 |
| 27 | PLATE, LOCKER, KEYED | 161264 | 1 |
| 28 | SEAL, OIL, 1/2 X 7/8 X 3/16 | 161270 | 1 |
| 29 | SEAL, 1 X 1-1/2 X 1/4 OIL | 161271 | 1 |
| 30 | SPRING, 1.5OD X 1.3 COMPRESSION | 161279 | 1 |
| 31 | COLLAR, 1/2 SHAFT | 162633 | 1 |
| 32 | LEVER, TRANS FORK | 162673 | 1 |
| 33 | BRACKET, TRANS FNR | 162735 | 1 |
| 34 | BRACKET, TRANS PIVOT | 162741 | 1 |
| 35 | SPRING, .56 OD X 1.38 COMPRESSION | 162829 | 1 |
| 36 | PIN, 1/4 X 5/8 DOWEL | 162849 | 3 |
| 37 | CABLE, TRANS CONTROL | 162858 | 1 |
| 36 | BALL JOINT, 30 SERIES | 162859 | 1 |
| 39 | CLAMP, 30 SERIES CONDUIT | 162860 | 1 |
| 40 | ASSY, CHANGE GEAR | 162883 | 1 |
| 41 | NUT, HEX, NYLK, 1/4-28 | 163936 | 1 |
| 42 | OIL, 80-90 SAE GEAR | 164971 | 1 |
| 43 | SEALANT, HI-TEMP FORM-A-GASKET | 164972 | 1 |
| 44 | CASTING, TRANS CASE3 (COMP) | 166340 | 1 |
| 45 | SHAFT, AXLE, #3 | 166341 | 1 |
| 46 | SPROCKET, 40BS24 X 1.0 BORE | 166342 | 1 |
| 47 | BEARING, BALL, 20 X 42 X 12MM | 166343 | 1 |
| 48 | RING, 1-11/16 INTERNAL RETAINING | 166344 | 1 |
| 49 | FITTING, THROTTLE CABLE END | 169042 | 1 |
| 50 | WASHER, FENDER, 1/4 X 1 | 169049 | 1 |
| 51 | GASKET SET, TRANSMISSION | 169465 | 1 |
| 52 | SEALANT, GASKET, PT#2 (0.5 OZ) | 169466 | 1 |
| 53 | WASHER, CHROMATE, 5/16, PAIR | 169690 | 2 |
| 54 | WASHER, CHROMATE, 3/8, PAIR | 169692 | 6 |
| 55 | WASHER, CHROMATE, 1/4, PAIR | 169693 | 1 |
| 56 | PLUG, 3/8 NPT BRONZE BREATHER | 170959 | 1 |

FIGURE 29 - PARTS LIST: ASSY, 20" BLADE GUARD P/N 168279-20-WH

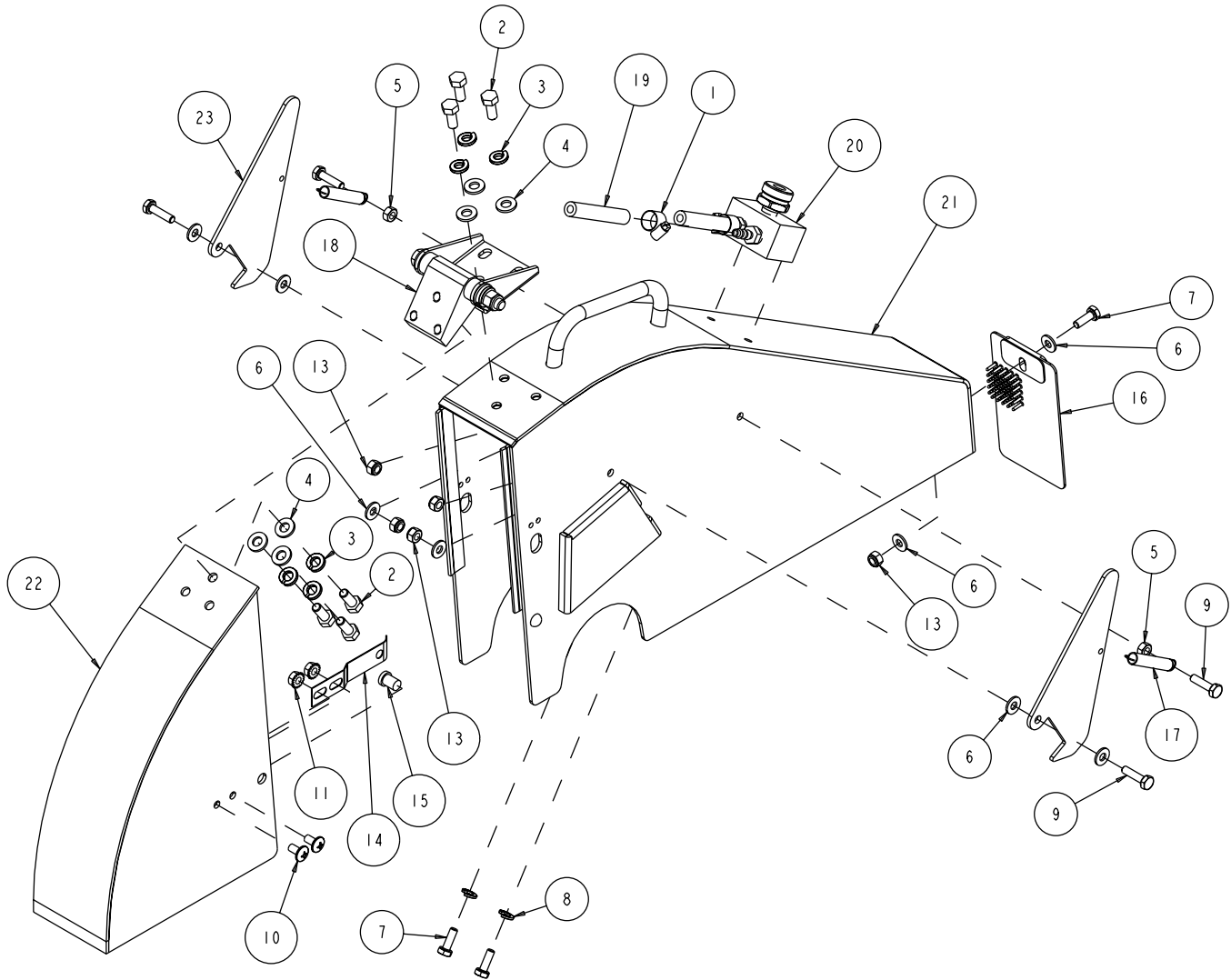


FIGURE 29 - PARTS LIST: ASSY, 20" BLADE GUARD P/N 168279-20-WH

| ITEM NO. | DESCRIPTION | PART # | QTY. REQ. |
|----------|---------------------------------------|--------------|-----------|
| 1 | CLAMP, 5/8 HOSE | 151198 | 2 |
| 2 | SCREW, 5/16-18 X 3/4 HEX HEAD MACHINE | 151369 | 6 |
| 3 | WASHER, LOCK, SPLIT, 5/16 | 151747 | 6 |
| 4 | WASHER, 5/16 SAE FLAT | 151754 | 6 |
| 5 | NUT, 1/4-20 HEX | 151893 | 2 |
| 6 | WASHER, 1/4 SAE FLAT | 151915 | 8 |
| 7 | SCREW, 1/4-20 X 3/4 HEX HEAD MACHINE | 152370 | 3 |
| 8 | WASHER, 1/4 SPLIT LOCK | 152591 | 2 |
| 9 | SCREW, HEX HD CAP, 1/4-20 X 1 | 152676 | 4 |
| 10 | SCREW, 1/4-20 X 1/2 TRUSS HEAD | 153880 | 2 |
| 11 | NUT, HEX W/WSHR, 1/4-20 | 153941 | 2 |
| 12 | TIE, NYLON CABLE, 1/8 X 4, BLACK | 158528 | 4 |
| 13 | NUT, 1/4-20 NYLOK | 159857 | 5 |
| 14 | LOCK, BLADE GUARD | 159998 | 1 |
| 15 | BUTTON, RELEASE | 159999 | 1 |
| 16 | GUARD, SPLASH | 160310 | 1 |
| 17 | SPRING, EXTENSION | 160875 | 2 |
| 18 | ASSY, HINGE | 163979 | 1 |
| 19 | HOSE, VINYL, 1/4 X 1/2 (24"L) | 167620 | 2 |
| 20 | ASSY, WATER MANIFOLD, 2T | 167624 | 1 |
| 21 | GUARD, 20" FRONT BLADE | 168277-20-WH | 1 |
| 22 | GUARD, 20" REAR BLADE | 168278-20-WH | 1 |
| 23 | LATCH, 20" BLADE GUARD | 168528 | 2 |

FIGURE 30 - PARTS LIST: ASSY, 26" BLADE GUARD P/N 168279-26-WH

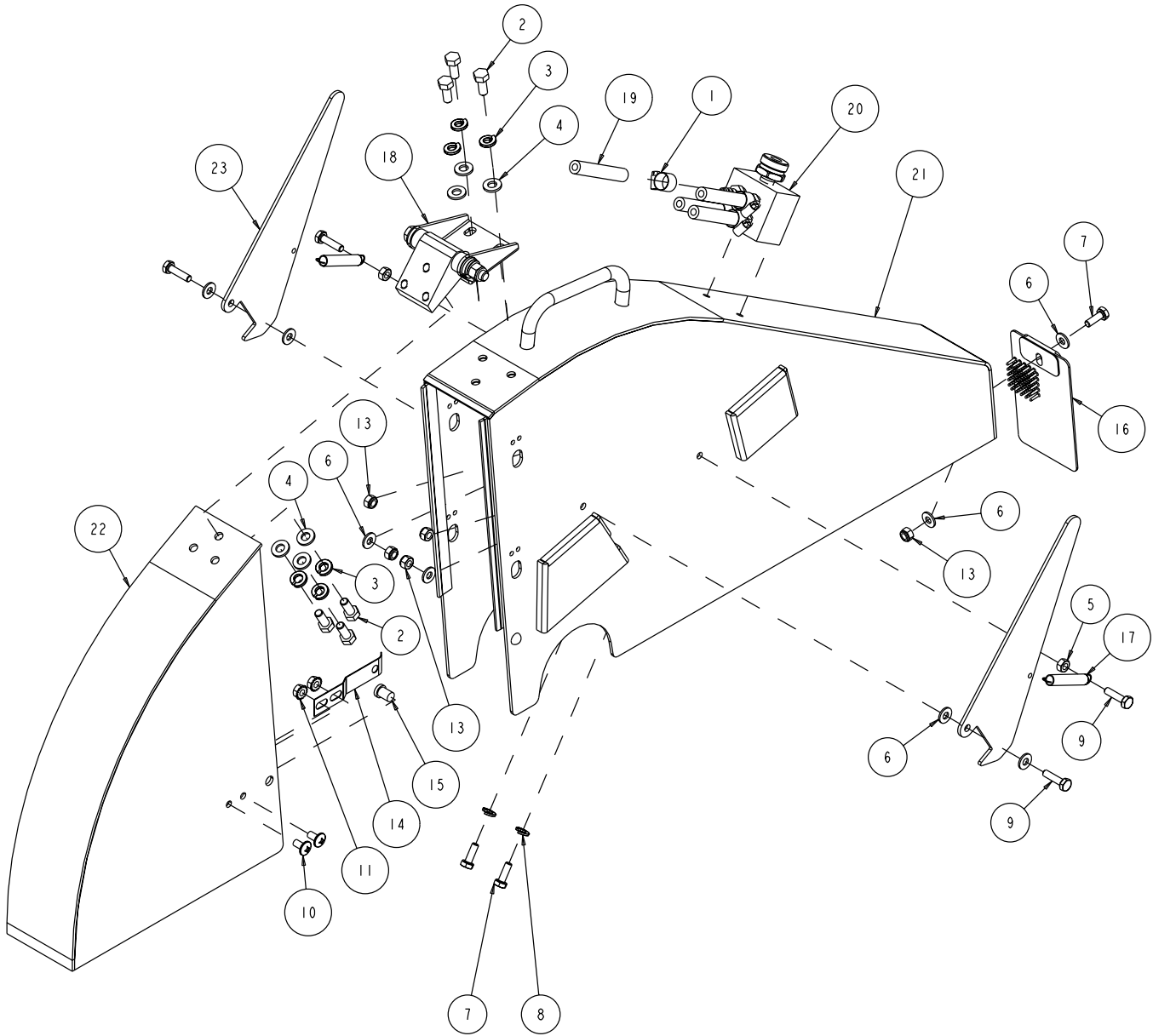


FIGURE 30 - PARTS LIST: ASSY, 26" BLADE GUARD P/N 168279-26-WH

| ITEM NO. | DESCRIPTION | PART # | QTY. REQ. |
|----------|---------------------------------------|--------------|-----------|
| 1 | CLAMP, 5/8 HOSE | 151198 | 2 |
| 2 | SCREW, 5/16-18 X 3/4 HEX HEAD MACHINE | 151369 | 6 |
| 3 | WASHER, LOCK, SPLIT, 5/16 | 151747 | 6 |
| 4 | WASHER, 5/16 SAE FLAT | 151754 | 6 |
| 5 | NUT, 1/4-20 HEX | 151893 | 2 |
| 6 | WASHER, 1/4 SAE FLAT | 151915 | 8 |
| 7 | SCREW, 1/4-20 X 3/4 HEX HEAD MACHINE | 152370 | 3 |
| 8 | WASHER, 1/4 SPLIT LOCK | 152591 | 2 |
| 9 | SCREW, HEX HD CAP, 1/4-20 X 1 | 152676 | 4 |
| 10 | SCREW, 1/4-20 X 1/2 TRUSS HEAD | 153880 | 2 |
| 11 | NUT, HEX W/WSHR, 1/4-20 | 153941 | 2 |
| 12 | TIE, NYLON CABLE, 1/8 X 4, BLACK | 158528 | 4 |
| 13 | NUT, 1/4-20 NYLOK | 159857 | 5 |
| 14 | LOCK, BLADE GUARD | 159998 | 1 |
| 15 | BUTTON, RELEASE | 159999 | 1 |
| 16 | GUARD, SPLASH | 160310 | 1 |
| 17 | SPRING, EXTENSION | 160875 | 2 |
| 18 | ASSY, HINGE | 163979 | 1 |
| 19 | HOSE, VINYL, 1/4 X 1/2 (24"L) | 167620 | 4 |
| 20 | ASSY, WATER MANIFOLD, 4T | 167625 | 1 |
| 21 | GUARD, 26" FRONT BLADE | 168277-26-WH | 1 |
| 22 | GUARD, 26" REAR BLADE | 168278-26-WH | 1 |
| 23 | LATCH, 26" BLADE GUARD | 168280 | 2 |

FIGURE 31 - PARTS LIST: ASSY, 30" BLADE GUARD P/N 168279-30-WH

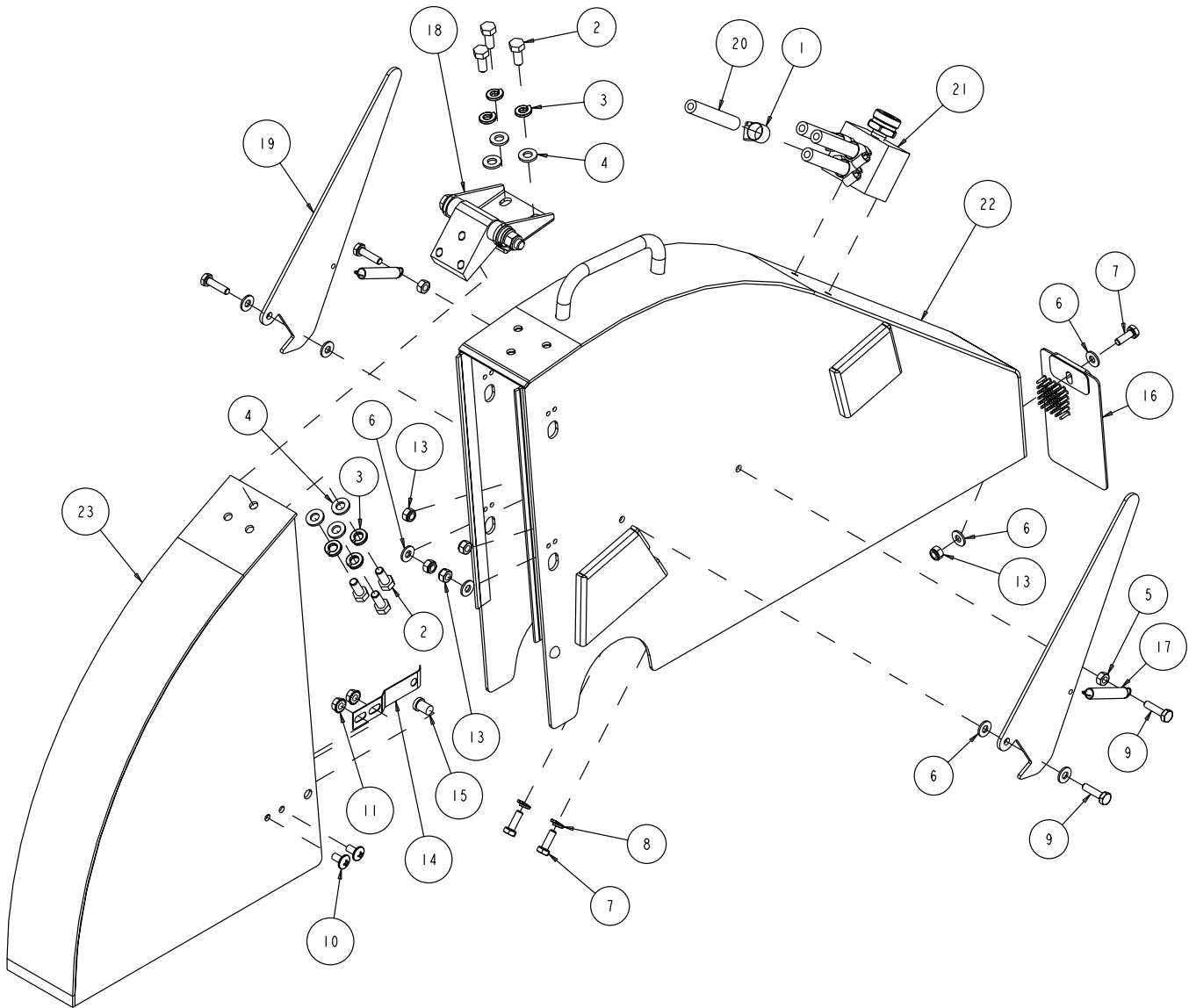


FIGURE 31 - PARTS LIST: ASSY, 30" BLADE GUARD P/N 168279-30-WH

| ITEM NO. | DESCRIPTION | PART # | QTY. REQ. |
|----------|---------------------------------------|--------------|-----------|
| 1 | CLAMP, 5/8 HOSE | 151198 | 2 |
| 2 | SCREW, 5/16-18 X 3/4 HEX HEAD MACHINE | 151369 | 6 |
| 3 | WASHER, LOCK, SPLIT, 5/16 | 151747 | 6 |
| 4 | WASHER, 5/16 SAE FLAT | 151754 | 6 |
| 5 | NUT, 1/4-20 HEX | 151893 | 2 |
| 6 | WASHER, 1/4 SAE FLAT | 151915 | 8 |
| 7 | SCREW, 1/4-20 X 3/4 HEX HEAD MACHINE | 152370 | 3 |
| 8 | WASHER, 1/4 SPLIT LOCK | 152591 | 2 |
| 9 | SCREW, HEX HD CAP, 1/4-20 X 1 | 152676 | 4 |
| 10 | SCREW, 1/4-20 X 1/2 TRUSS HEAD | 153880 | 2 |
| 11 | NUT, HEX W/WSHR, 1/4-20 | 153941 | 2 |
| 12 | TIE, NYLON CABLE, 1/8 X 4, BLACK | 158528 | 4 |
| 13 | NUT, 1/4-20 NYLOK | 159857 | 5 |
| 14 | LOCK, BLADE GUARD | 159998 | 1 |
| 15 | BUTTON, RELEASE | 159999 | 1 |
| 16 | GUARD, SPLASH | 160310 | 1 |
| 17 | SPRING, EXTENSION | 160875 | 2 |
| 18 | ASSY, HINGE | 163979 | 1 |
| 19 | LATCH, 30" BLADE GUARD | 165874 | 2 |
| 20 | HOSE, VINYL, 1/4 X 1/2 (24"L) | 167620 | 4 |
| 21 | ASSY, WATER MANIFOLD, 4T | 167625 | 1 |
| 22 | GUARD, 30" FRONT BLADE | 168277-30-WH | 1 |
| 23 | GUARD, 30" REAR BLADE | 168278-30-WH | 1 |

FIGURE 32 - PARTS LIST: ASSY, 36" BLADE GUARD P/N 168279-36-WH

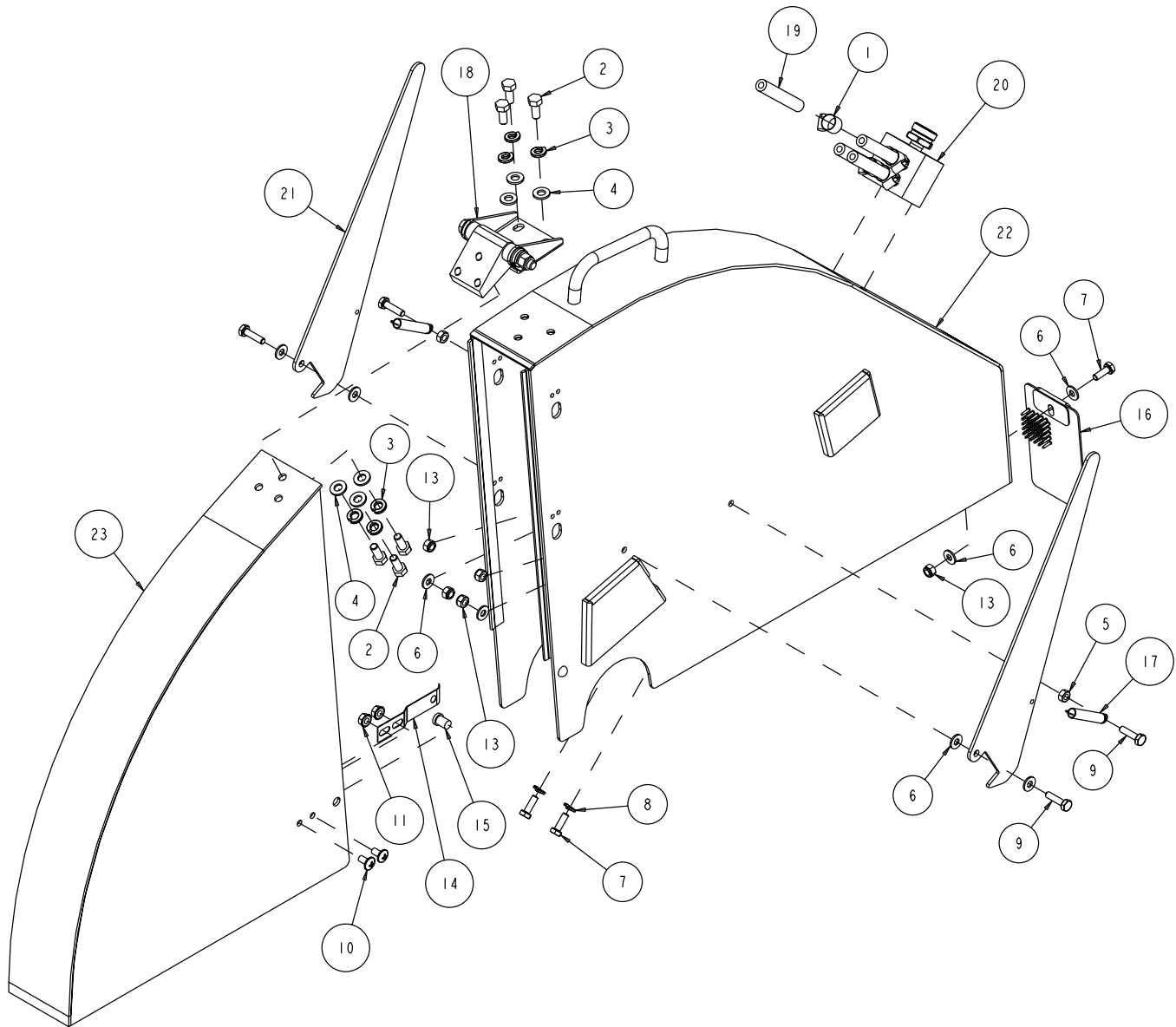
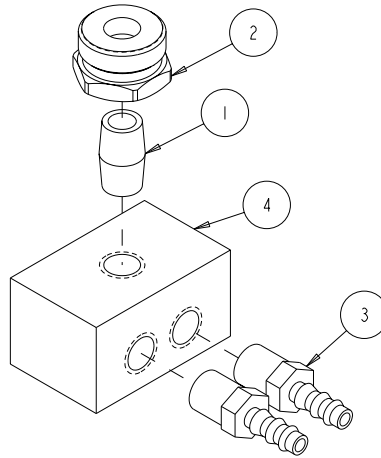


FIGURE 32- PARTS LIST: ASSY, 36" BLADE GUARD P/N 168279-36-WH

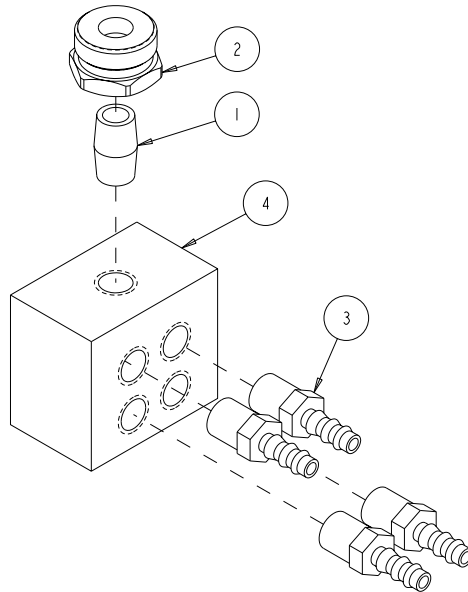
| ITEM NO. | DESCRIPTION | PART # | QTY. REQ. |
|----------|---------------------------------------|--------------|-----------|
| 1 | CLAMP, 5/8 HOSE | 151198 | 2 |
| 2 | SCREW, 5/16-18 X 3/4 HEX HEAD MACHINE | 151369 | 6 |
| 3 | WASHER, LOCK, SPLIT, 5/16 | 151747 | 6 |
| 4 | WASHER, 5/16 SAE FLAT | 151754 | 6 |
| 5 | NUT, 1/4-20 HEX | 151893 | 2 |
| 6 | WASHER, 1/4 SAE FLAT | 151915 | 8 |
| 7 | SCREW, 1/4-20 X 3/4 HEX HEAD MACHINE | 152370 | 3 |
| 8 | WASHER, 1/4 SPLIT LOCK | 152591 | 2 |
| 9 | SCREW, HEX HD CAP, 1/4-20 X 1 | 152676 | 4 |
| 10 | SCREW, 1/4-20 X 1/2 TRUSS HEAD | 153880 | 2 |
| 11 | NUT, HEX W/WSHR, 1/4-20 | 153941 | 2 |
| 12 | TIE, NYLON CABLE, 1/8 X 4, BLACK | 158528 | 4 |
| 13 | NUT, 1/4-20 NYLOK | 159857 | 5 |
| 14 | LOCK, BLADE GUARD | 159998 | 1 |
| 15 | BUTTON, RELEASE | 159999 | 1 |
| 16 | GUARD, SPLASH | 160310 | 1 |
| 17 | SPRING, EXTENSION | 160875 | 2 |
| 18 | ASSY, HINGE | 163979 | 1 |
| 19 | HOSE, VINYL, 1/4 X 1/2 (24"L) | 167620 | 4 |
| 20 | ASSY, WATER MANIFOLD, 4T | 167625 | 1 |
| 21 | LATCH, 36" BLADE GUARD | 167658 | 2 |
| 22 | GUARD, 36" FRONT BLADE | 168277-36-WH | 1 |
| 23 | GUARD, 36" REAR BLADE | 168278-36-WH | 1 |

FIGURE 33 - PARTS LIST: ASSY, WATER MANIFOLD, 2T P/N 167624

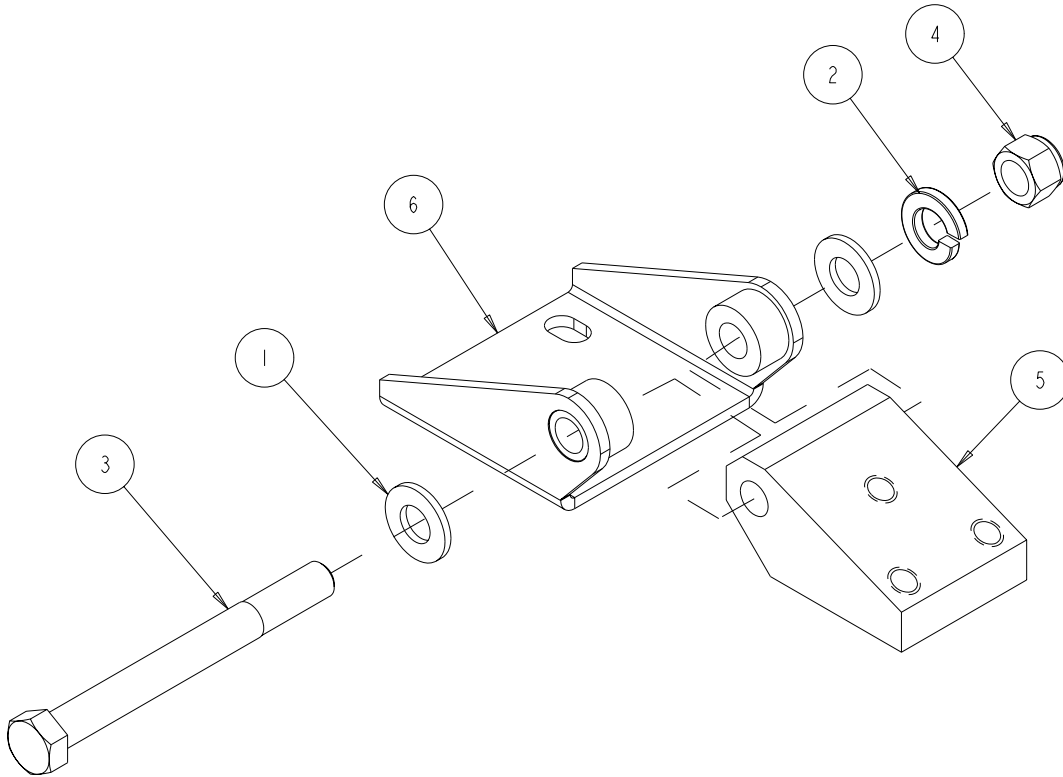


| ITEM NO. | DESCRIPTION | PART # | QTY. REQ. |
|----------|--------------------------------------|--------|-----------|
| 1 | NIPPLE, 1/4 NPT X CLOSE, BRASS | 159905 | 1 |
| 2 | FITTING, 3/4 X 11.5 MNH X 1/4 FNPT | 163992 | 1 |
| 3 | FITTING, PUSH ON HOSE 1/4 X 1/4 MALE | 165183 | 2 |
| 4 | MANIFOLD, WATER, 2 TUBE | 167622 | 1 |

FIGURE 34 - PARTS LIST: ASSY, WATER MANIFOLD, 4T P/N 167625



| ITEM NO. | DESCRIPTION | PART # | QTY. REQ. |
|----------|--------------------------------------|--------|-----------|
| 1 | NIPPLE, 1/4 NPT X CLOSE, BRASS | 159905 | 1 |
| 2 | FITTING, 3/4 X 11.5 MNH X 1/4 FNPT | 163992 | 1 |
| 3 | FITTING, PUSH ON HOSE 1/4 X 1/4 MALE | 165183 | 4 |
| 4 | MANIFOLD, WATER, 4 TUBE | 167623 | 1 |

FIGURE 35 - PARTS LIST: ASSY, HINGE P/N 163979

| ITEM NO. | DESCRIPTION | PART # | QTY. REQ. |
|----------|-----------------------------------|--------|-----------|
| 1 | WASHER, 3/8 SAE FLAT | 150923 | 2 |
| 2 | WASHER, 3/8 SAE LOCK | 150925 | 1 |
| 3 | SCREW, 38 - 16 X 3-3/4 HEX HD CAP | 152504 | 1 |
| 4 | NUT, 3/8 - 16 X 3 NYLOK HEX | 152505 | 1 |
| 5 | PLATE, FRONT HINGE | 163977 | 1 |
| 6 | PLATE, REAR HINGE | 163978 | 1 |

MK-6000 SERIES
PARTS LISTS & EXPLODED VIEW



MK Diamond Products, Inc.

MK Diamond Products, Inc.
1315 Storm Parkway
Torrance, CA 90501

Toll-Free: (800) 421-5830
Phone: (310) 539-5221
Fax: (310) 539-5158
www.mkdiamond.com