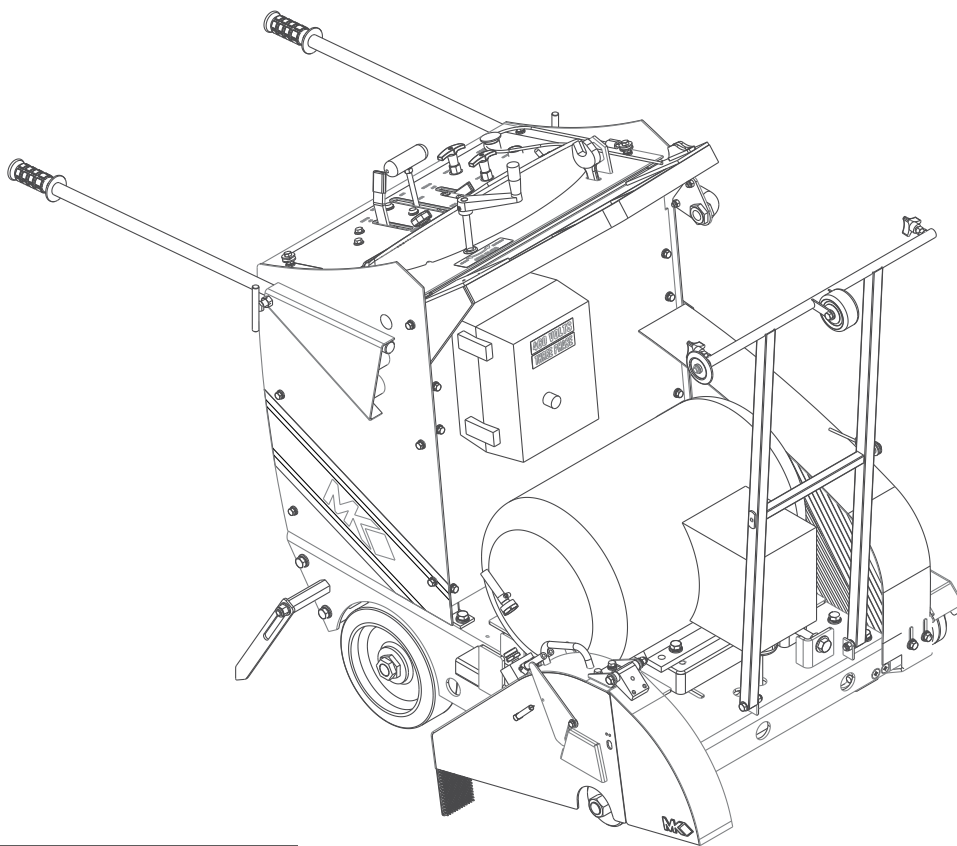


MK-4000B CONCRETE SAWS EXPLODED VIEWS & PARTS MANUAL



Revision 104	03.2019
Manual Part# 168749	

Caution: Read all safety and operating instructions before using this equipment. This parts list **MUST** accompany the equipment at all times.

INTRODUCTION

Congratulations on your purchase of a MK-4000B Saw. We are certain that you will be pleased with your purchase. MK Diamond takes pride in producing the finest construction power tools and diamond blades in the industry.

Operated correctly, your MK-4000B Saw should provide you with years of service. In order to help you, we have included this manual. This owners manual contains information necessary to operate and maintain your MK-4000B Saw safely and correctly. Please take the time to familiarize yourself with the MK-4000B Saw by reading and reviewing this manual.

Read and follow all safety, operating and maintenance instructions.

If you should have questions concerning your MK-4000B Saw, please feel free to call our friendly customer service department at: 800 421-5830

Regards,

MK Diamond

NOTE THIS INFORMATION FOR FUTURE USE:

MODEL NUMBER:	
SERIAL NUMBER:	
PURCHASE PLACE:	
PURCHASE DATE:	

WARRANTY: For your (1) one year warranty to be effective, complete the online Product Registration as soon as possible. Visit www.mkdiamond.com/registration/

TABLE OF CONTENTS

CONTENTS	PAGE #
FIGURE 1 - PARTS LIST: MK-4020B CONCRETE SAW - P/N 167439-20	4-5
FIGURE 2 - PARTS LIST: MK-4026B CONCRETE SAW - P/N 167439-26	6-7
FIGURE 3 - PARTS LIST: MK-4030B CONCRETE SAW - P/N 167439-30	8-9
FIGURE 4 - PARTS LIST: MK-4036B CONCRETE SAW - P/N 167439-36	10-11
FIGURE 5 - PARTS LIST: MK-4000B PARENT - P/N 167439	12-13
FIGURE 6 - PARTS LIST: ASSY, 4000B SUB - PN 168702	14-19
FIGURE 7 - PARTS LIST: ASSY, TRANS IDLER - P/N 168737	20
FIGURE 8 - PARTS LIST: ASSY, SWITCH - P/N 168734	21
FIGURE 9 - PARTS LIST: ASSY, MOTOR - P/N 168704	22
FIGURE 10 - PARTS LIST: ASSY, CONTROL PANEL - P/N 168705	23
FIGURE 11 - PARTS LIST: ASSY, CONTROLHEAD - P/N 167226	24
FIGURE 12 - PARTS LIST: ASSY,UP/DOWN CONTROL - P/N 167233	25
FIGURE 13 - PARTS LIST: ASSY, WATER VALVE - P/N 164161	26
FIGURE 20 - PARTS LIST: ASSY, INSTRUMENT PANEL - P/N 168703	27
FIGURE 21 - PARTS LIST: ASSY, POINTER FRONT - P/N 160931	28
FIGURE 22 - PARTS LIST: ASSY, REAR POINTER - P/N 163824	29
FIGURE 23 - PARTS LIST: ASSY, SHAFT GUARD - P/N 166056	29
FIGURE 24 - PARTS LIST: 20" BLADE GUARD - P/N 168279-20-WH	30-31
FIGURE 25 - PARTS LIST: 26" BLADE GUARD - P/N 168279-26-WH	32-33
FIGURE 26 - PARTS LIST: 30" BLADE GUARD - P/N 168279-30-WH	34-35
FIGURE 27 - PARTS LIST: 36" BLADE GUARD - P/N 168279-36-WH	36-37
FIGURE 28 - PARTS LIST: ASSY, WATER MANIFOLD 2T - P/N 167624	38
FIGURE 28 - PARTS LIST: ASSY, WATER MANIFOLD 4T - P/N 167624	38
FIGURE 29 - PARTS LIST: ASSY, HINGE - P/N 163979	39
FIGURE 30 - PARTS LIST: ASSY, DEPTH STOP - P/N 165710	40
GENERAL PRODUCT INFORMATION	
CONTACT INFORMATION AND LIMITED WARRANTY	42-43

FIGURE 1 - PARTS LIST: MK-4020B CONCRETE SAW P/N 167439-20

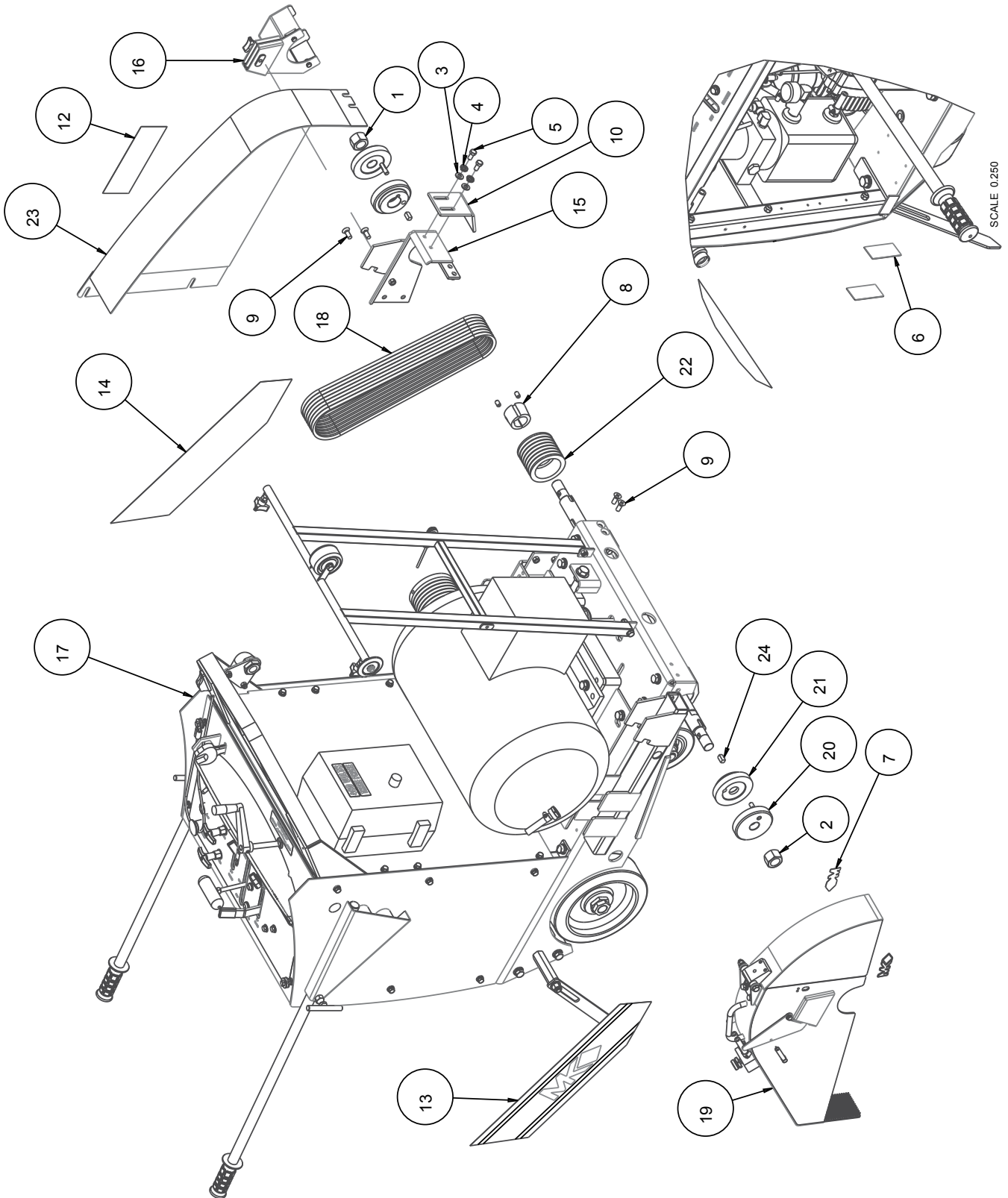


FIGURE 1 - PARTS LIST: MK-4020B CONCRETE SAW P/N 167439-20

ITEM NO.	DESCRIPTION	PART #	QTY.
1	NUT, 1 - 14 RIGHT HAND	138693	1
2	NUT, 1 - 14 LEFT HAND	138701	1
3	WASHER, FLAT, SAE, 3/8	150923	2
4	WASHER, LOCK, SPLIT, 3/8	150925	2
5	SCREW, HEX, 3/8-16 X 3/4	153527	2
6	TAG, SERIAL NUMBER, BLANK	157500-RW	2
7	LOGO, MK ADHESIVE	157914	2
8	BUSHING, TPR-LOCK, 1615 X 1-3/8	160811	1
9	SCREW, 3/8-16 X 1 FLATHEAD MACHINE	162067	4
10	PLATE, BELT PROTECTOR	165707	1
11	SHEET, LABEL, MK LOGO, 4000	165709	1
12	LABEL, MK LOGO	165709	1
13	LABEL, RIGHT TOWER	165709	1
14	LABEL, LEFT TOWER	165709	1
15	CORNER, FRAME	165871	1
16	ASSY, SHAFT GUARD	166056	1
17	4000B PARENT	167439	1
18	BELT, V, 3VX450	167527	7
19	ASSY, BLADE GUARD 20", WHITE	168279-20-WH	1
20	ASSY, FLANGE KEYED, OUTER, 4"	168596-4	2
21	FLANGE, KEYED, INNER, 4"	168598-4	2
22	PULLEY, 7/3VX 3.75 X 1615TB	168656	1
23	GUARD, ENGINE, LEFT, ELEC	168740	1
24	KEY, SQR, 3/8 X 3/4	169371	2

FIGURE 2 - PARTS LIST: MK-4026B CONCRETE SAW P/N 167439-26

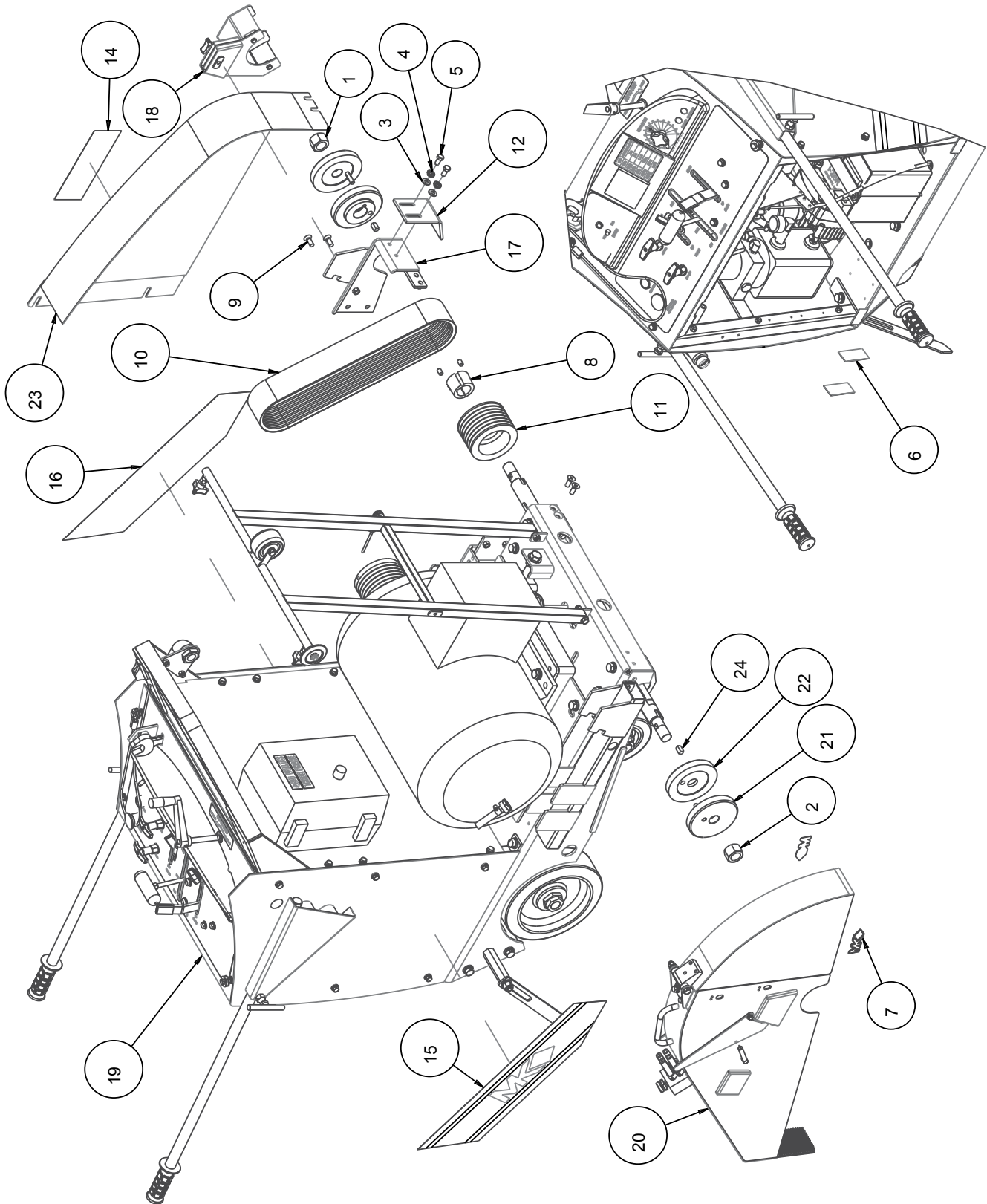


FIGURE 2 - PARTS LIST: MK-4026B CONCRETE SAW P/N 167439-26

ITEM NO.	DESCRIPTION	PART #	QTY.
1	NUT, 1 - 14 RIGHT HAND	138693	1
2	NUT, 1 - 14 LEFT HAND	138701	1
3	WASHER, FLAT, SAE, 3/8	150923	2
4	WASHER, LOCK, SPLIT, 3/8	150925	2
5	SCREW, HEX, 3/8-16 X 3/4	153527	2
6	TAG, SERIAL NUMBER, BLANK	157500-RW	2
7	LOGO, MK ADHESIVE	157914	2
8	BUSHING, TPR-LOCK, 1615 X 1-3/8	160811	1
9	SCREW, 3/8-16 X 1 FLATHEAD MACHINE	162067	4
10	BELT, 7/3VX475	165689-7	1
11	PULLEY, 7/3VX/4.75 X 1615TB	165696	1
12	PLATE, BELT PROTECTOR	165707	1
13	SHEET, LABEL, MK LOGO, 4000	165709	1
14	LABEL, MK LOGO	165709	1
15	LABEL, RIGHT TOWER	165709	1
16	LABEL, LEFT TOWER	165709	1
17	CORNER, FRAME	165871	1
18	ASSY, SHAFT GUARD	166056	1
19	4000B PARENT	167439	1
20	ASSY, BLADE GUARD 26", WHITE	168279-26-WH	1
21	ASSY, FLANGE KEYED, INNER, 5"	168596-5	2
22	FLANGE, KEYED, INNER, 5"	168598-5	2
23	GUARD, ENGINE, LEFT, ELEC	168740	1
24	KEY, SQR, 3/8 X 3/4	169371	2

FIGURE 3 - PARTS LIST: MK-4030B CONCRETE SAW P/N 167439-30

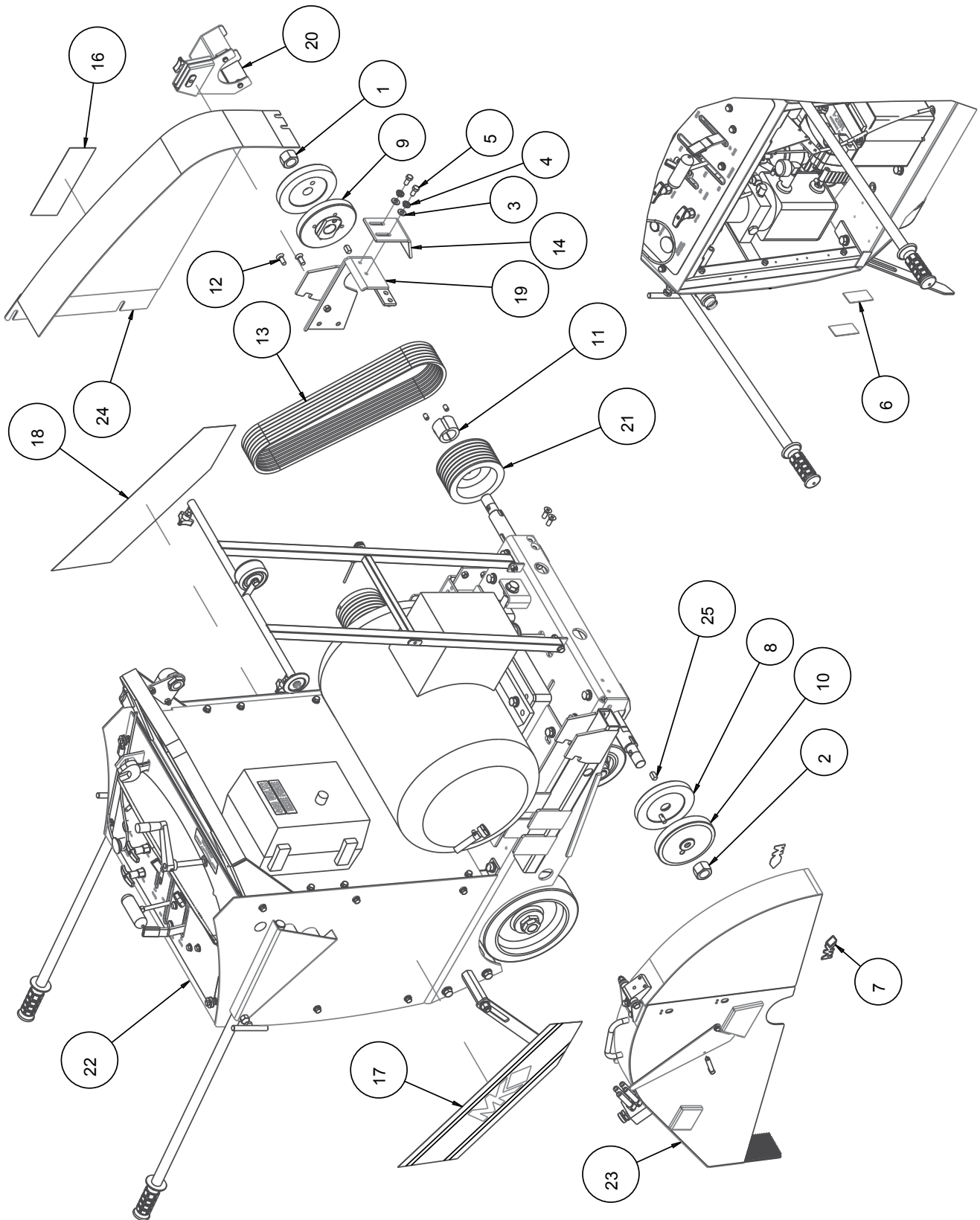


FIGURE 3 - PARTS LIST: MK-4030B CONCRETE SAW P/N 167439-30

ITEM NO.	DESCRIPTION	PART #	QTY.
1	NUT, 1 - 14 RIGHT HAND	138693	1
2	NUT, 1 - 14 LEFT HAND	138701	1
3	WASHER, FLAT, SAE, 3/8	150923	2
4	WASHER, LOCK, SPLIT, 3/8	150925	2
5	SCREW, HEX, 3/8-16 X 3/4	153527	2
6	TAG, SERIAL NUMBER, BLANK	157500-RW	2
7	LOGO, MK ADHESIVE	157914	2
8	ASSY, FLANGE, 6" INNER, LH	160785	1
9	ASSY, FLANGE, 6" INNER, RH	160786	1
10	FLANGE, 6" OUTER	160800	2
11	BUSHING, TPR-LOCK, 1615 X 1-3/8	160811	1
12	SCREW, 3/8-16 X 1 FLATHEAD MACHINE	162067	4
13	BELT, V, 3VX475	165689	7
14	PLATE, BELT PROTECTOR	165707	1
15	SHEET, LABEL, MK LOGO, 4000	165709	1
16	LABEL, MK LOGO	165709	1
17	LABEL, RIGHT TOWER	165709	1
18	LABEL, LEFT TOWER	165709	1
19	CORNER, FRAME	165871	1
20	ASSY, SHAFT GUARD	166056	1
21	PULLEY, 7/3VX 5.75 X 1615TB	167278	1
22	4000B PARENT	167439	1
23	ASSY, BLADE GUARD 30", WHITE	168279-30-WH	1
24	GUARD, ENGINE, LEFT, ELEC	168740	1
25	KEY, SQR, 3/8 X 3/4	169371	2

FIGURE 4 - PARTS LIST: MK-4036B CONCRETE SAW P/N 167439-36

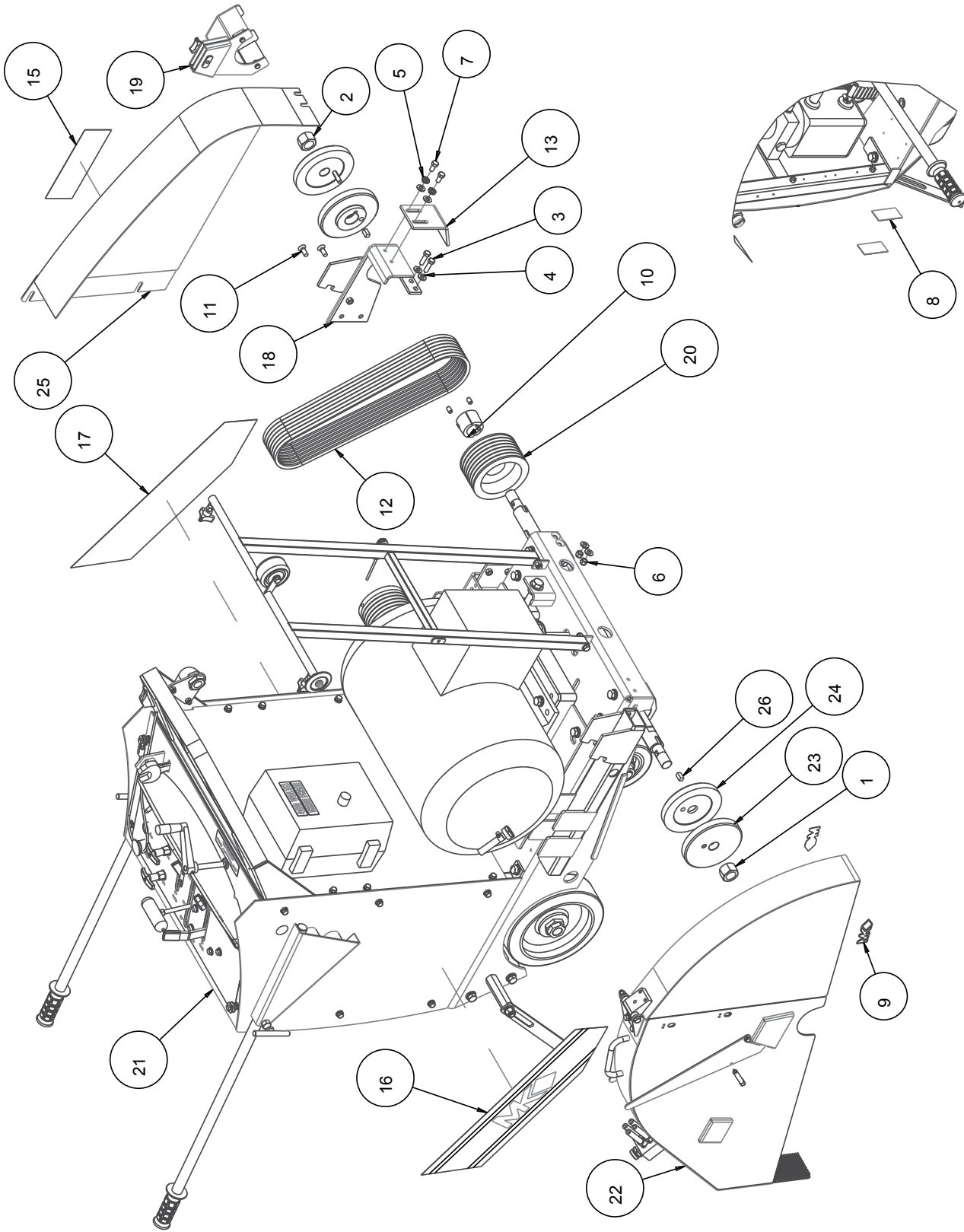


FIGURE 4 - PARTS LIST: MK-4036B CONCRETE SAW P/N 167439-36

ITEM NO.	DESCRIPTION	PART #	QTY.
1	NUT, 1 - 14 RIGHT HAND	138693	1
2	NUT, 1 - 14 LEFT HAND	138701	1
3	SCREW, 3/8-16 X 1-1/4 HEX HEAD CAP	150774	2
4	WASHER, FLAT, SAE, 3/8	150923	6
5	WASHER, LOCK, SPLIT, 3/8	150925	2
6	NUT, HEX, NYLK, 3/8-16	152505	2
7	SCREW, HEX, 3/8-16 X 3/4	153527	2
8	TAG, SERIAL NUMBER, BLANK	157500-RW	2
9	LOGO, MK ADHESIVE	157914	2
10	BUSHING, TPR-LOCK, 1615 X 1-3/8	160811	1
11	SCREW, 3/8-16 X 1 FLATHEAD MACHINE	162067	2
12	BELT, V, 3VX475	165689	7
13	PLATE, BELT PROTECTOR	165707	1
14	SHEET, LABEL, MK LOGO, 4000	165709	1
15	LABEL, MK LOGO	165709	1
16	LABEL, RIGHT TOWER	165709	1
17	LABEL, LEFT TOWER	165709	1
18	CORNER, FRAME, 36" BG	165871-36	1
19	ASSY, SHAFT GUARD	166056	1
20	PULLEY, 7/3VX 5.75 X 1615TB	167278	1
21	4000B PARENT	167439	1
22	ASSY, BLADE GUARD 36", WHITE	168279-36-WH	1
23	ASSY, FLANGE, KEYED, OUTER, 6"	168596-6	2
24	FLANGE, KEYED, INNER, 6"	168598-6	2
25	GUARD, ENGINE, LEFT, ELEC	168740	1
26	KEY, SQR, 3/8 X 3/4	169371	2

FIGURE 5 - PARTS LIST: MK-4000B CONCRETE SAW PARENT P/N 167439

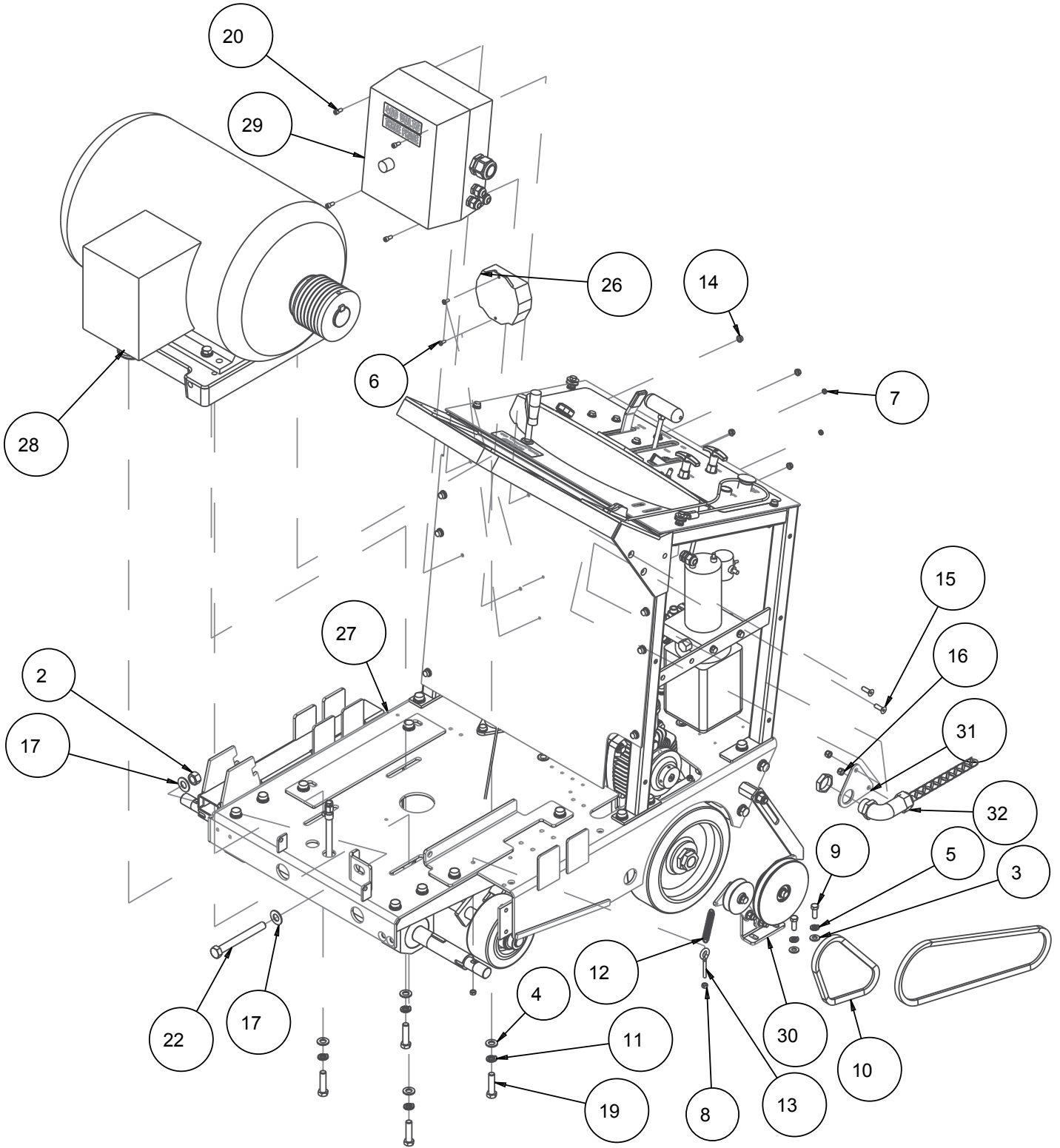
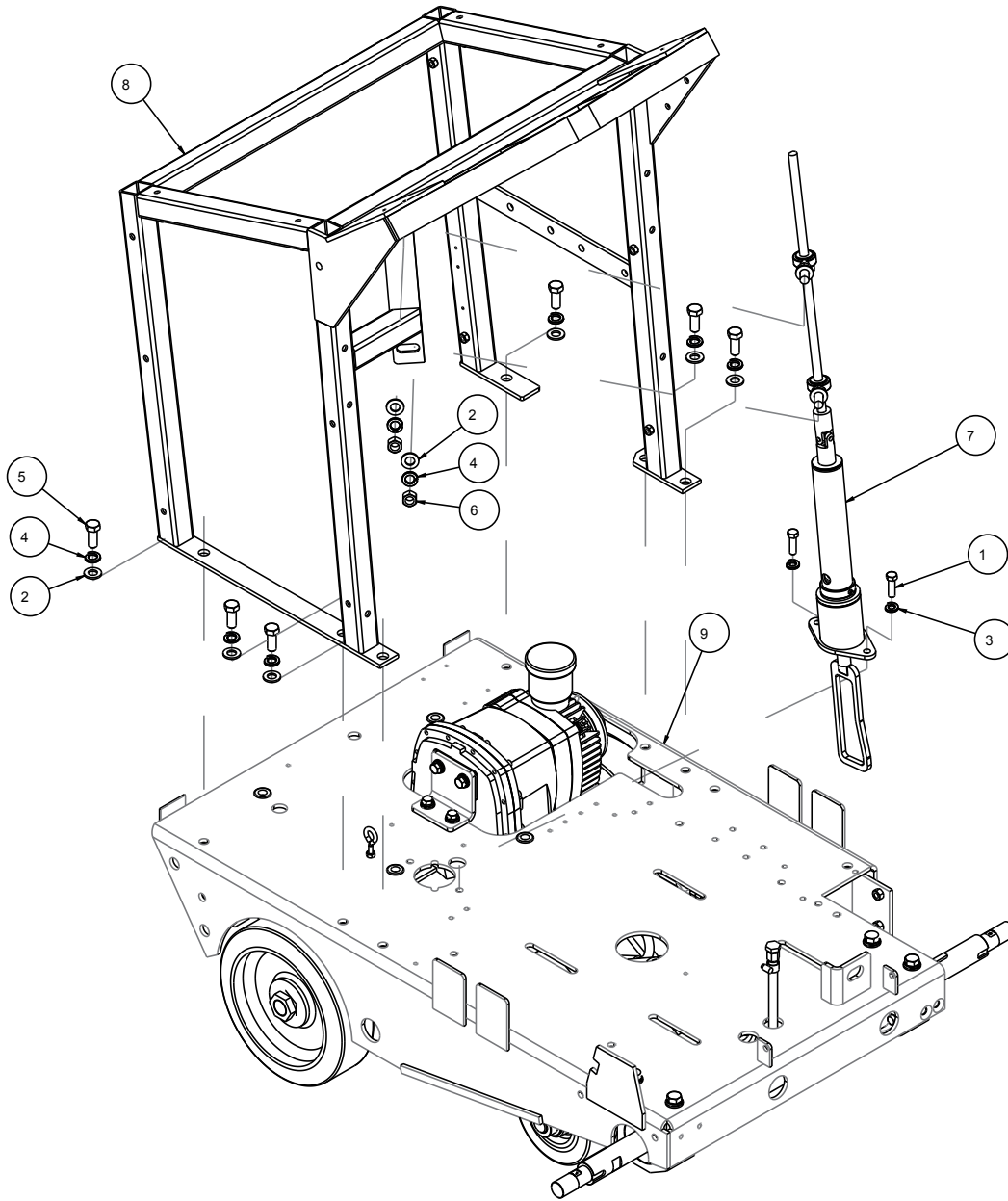


FIGURE 5 - PARTS LIST: MK-4000B CONCRETE SAW PARENT P/N 167439

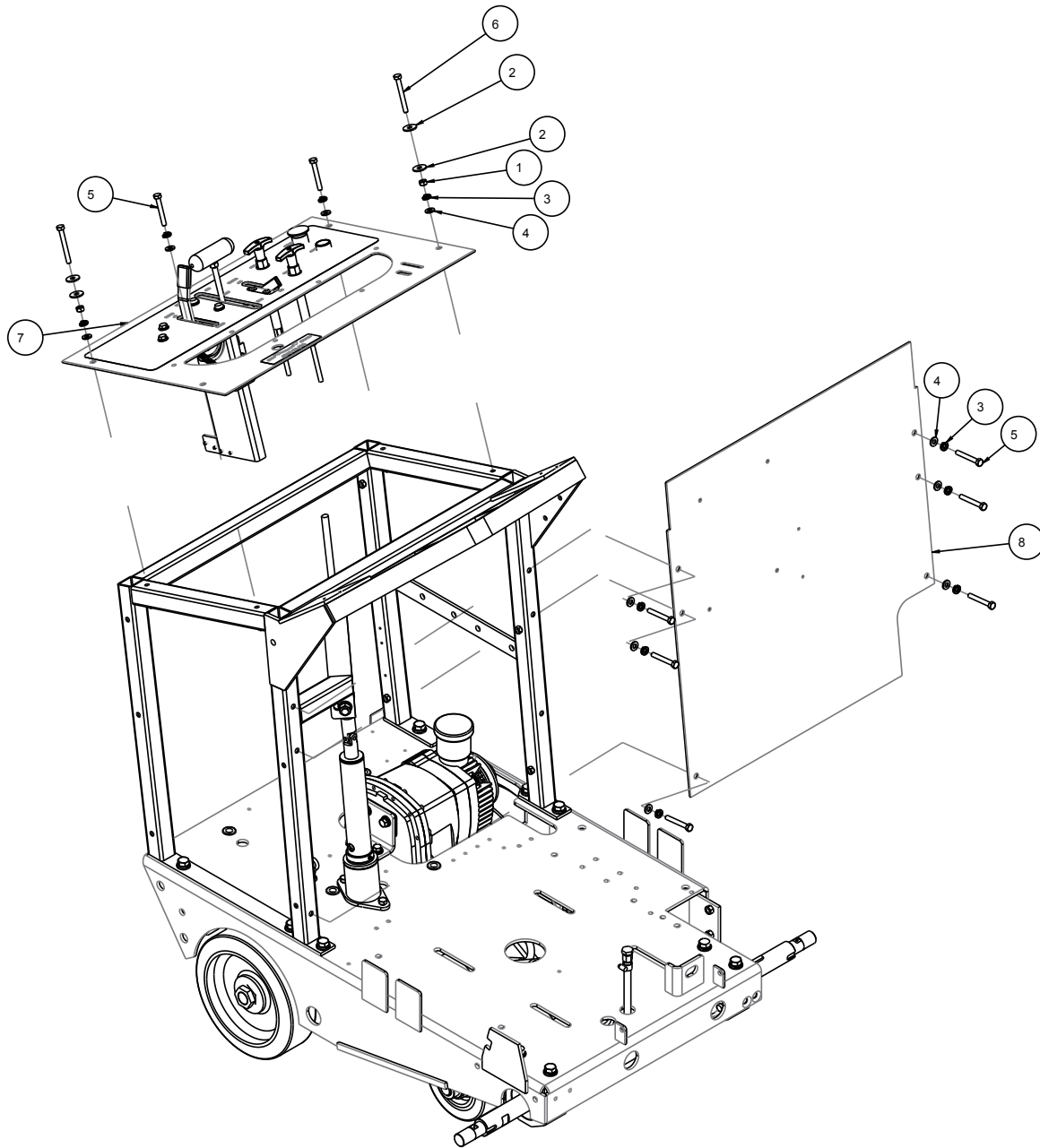
ITEM NO.	DESCRIPTION	PART #	QTY.
1	NUT, HEX, 3/8-16	101188	2
2	NUT, HEX, 5/8-18	135848	1
3	WASHER, FLAT, SAE, 3/8	150923	2
4	WASHER, 1/2 SAE FLAT	150924	4
5	WASHER, LOCK, SPLIT, 3/8	150925	2
6	SCREW, PAN HD, #10-24X1/2	151744	2
7	NUT, HEX, 10-24	151749	2
8	NUT, HEX, 1/4-20	151893	2
9	SCREW, HEX HD CAP, 3/8-16 X 1	152507	4
10	BELT, AX-24	153212	1
11	WASHER, 1/2 SPLIT LOCK	153524	4
12	SPRING, 9/16 X 2.5 EXTENSION	153807	1
13	EYEBOLT, 1/4-20 X 2	153887	1
14	NUT, HEX, TW, 1/4-20	153941	4
15	SCREW, 5/16-18 X 1.0 FLAT HEAD SOCKET	155552	2
16	NUT, HEX, NYLK, 5/16-18	158289	2
17	WASHER, FLAT, 5/8 SAE	158350	2
18	CONNECTOR, CORD, LTF11	159582	1
19	BOLT, 1/2-13 X 2.0 HEX HEAD TAP	162598	4
20	SCREW, 1/4-20 X 1/2 SOCKET HEAD CAP	162778	4
21	BELT, AX-42	164560	1
22	SCRW, HEX, TAP, 5/8-11 X 5-1/2	167279	1
23	BRACKET, BLADE GUARD, 3000E	167435	1
24	CORD, ELEC. SEOWW 18/3, 25'	168571	1
25	CORD, ELEC. SEOWW 8/4 BLACK, 15'	168572	1
26	BATTERY CHARGER, TRICKEL	168628	1
27	ASSY, 4000B SUB	168702	1
28	ASSY, MOTOR, 4000B	168704	1
29	ASSY, SWITCH, 30HP, 460V	168734	1
30	ASY, TRANS IDLER, B	168737	1
31	BRACKET, CORD, 4000B	168738	1
32	STRAIN RELIEF, ELBOW, 1" NPT	168739	1

FIGURE 6 - PARTS LIST: MK-4000B CONCRETE SAW P/N 168702



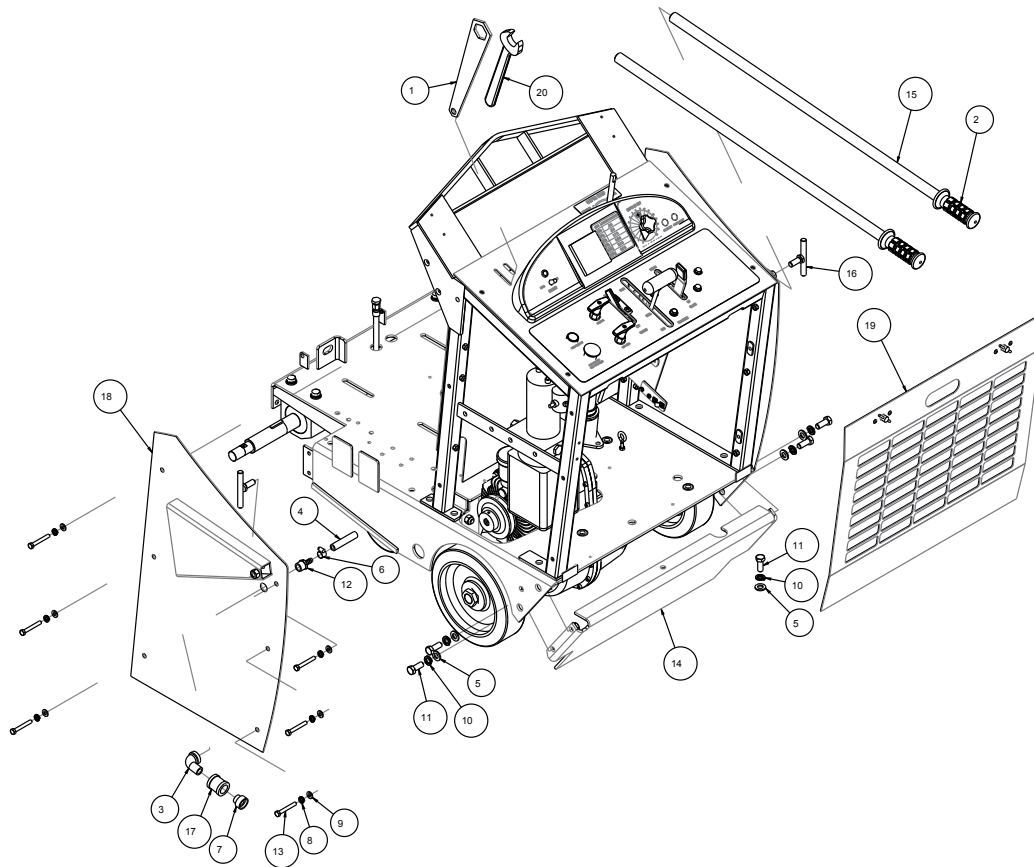
ITEM NO.	DESCRIPTION	PART #.	QTY.
1	SCREW, 3/8-16 X 1-1/4 HEX HEAD CAP	150774	2
2	WASHER, 1/2 SAE FLAT	150924	8
3	WASHER, LOCK, SPLIT, 3/8	150925	2
4	WASHER, 1/2 SPLIT LOCK	153524	8
5	SCREW, 1/2-13 X 1-1/4 HEX HEAD CAP	153532	6
6	NUT, 1/2-20 HEX	162586	2
7	ASSY, DEPTH STOP	165710	1
8	TOWER WELDMENT, RADIATOR	167199	1
9	ASSY, FRAME SUB, ELEC	169577	1

FIGURE 6 - PARTS LIST: MK-4000B CONCRETE SAW P/N 168702



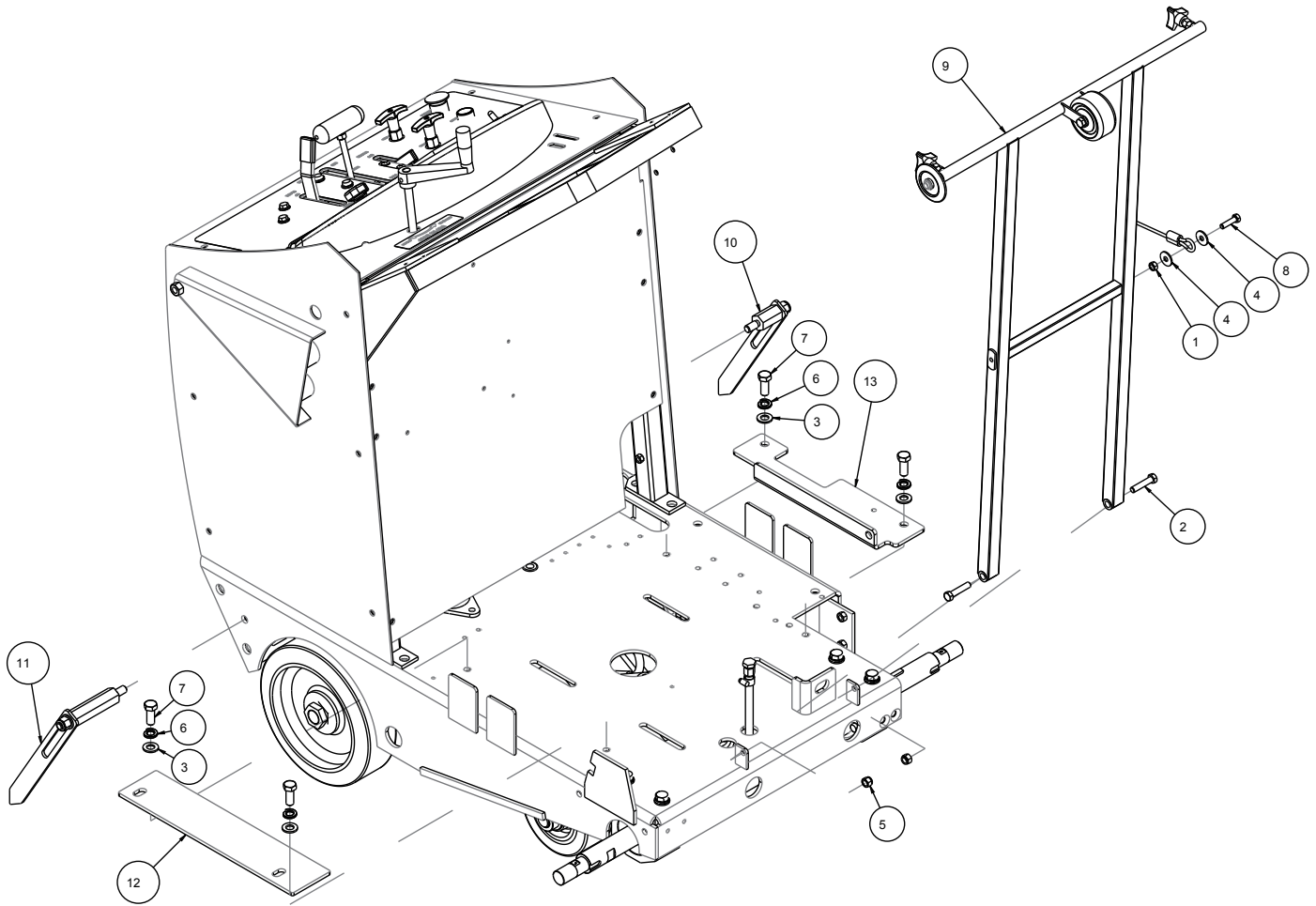
ITEM NO.	DESCRIPTION	PART #.	QTY.
1	NUT, HEX, 5/16-18	101196	2
2	WASHER, FENDER, 5/16 X 1.0	151053	4
3	WASHER, LOCK, SPLIT, 5/16	151747	10
4	WASHER, FLAT, SAE, 5/16	151754	10
5	SCREW, HEX, 5/16-18 X 2-1/4	153951	8
6	BOLT, 5/16-18 X 2-3/4 HEX HEAD TAP	156974	2
7	ASSY, CONTROL PANEL, 4000B	168705	1
8	PANEL, FRONT, 4000B	168741	1

FIGURE 6 - PARTS LIST: MK-4000B CONCRETE SAW P/N 168702



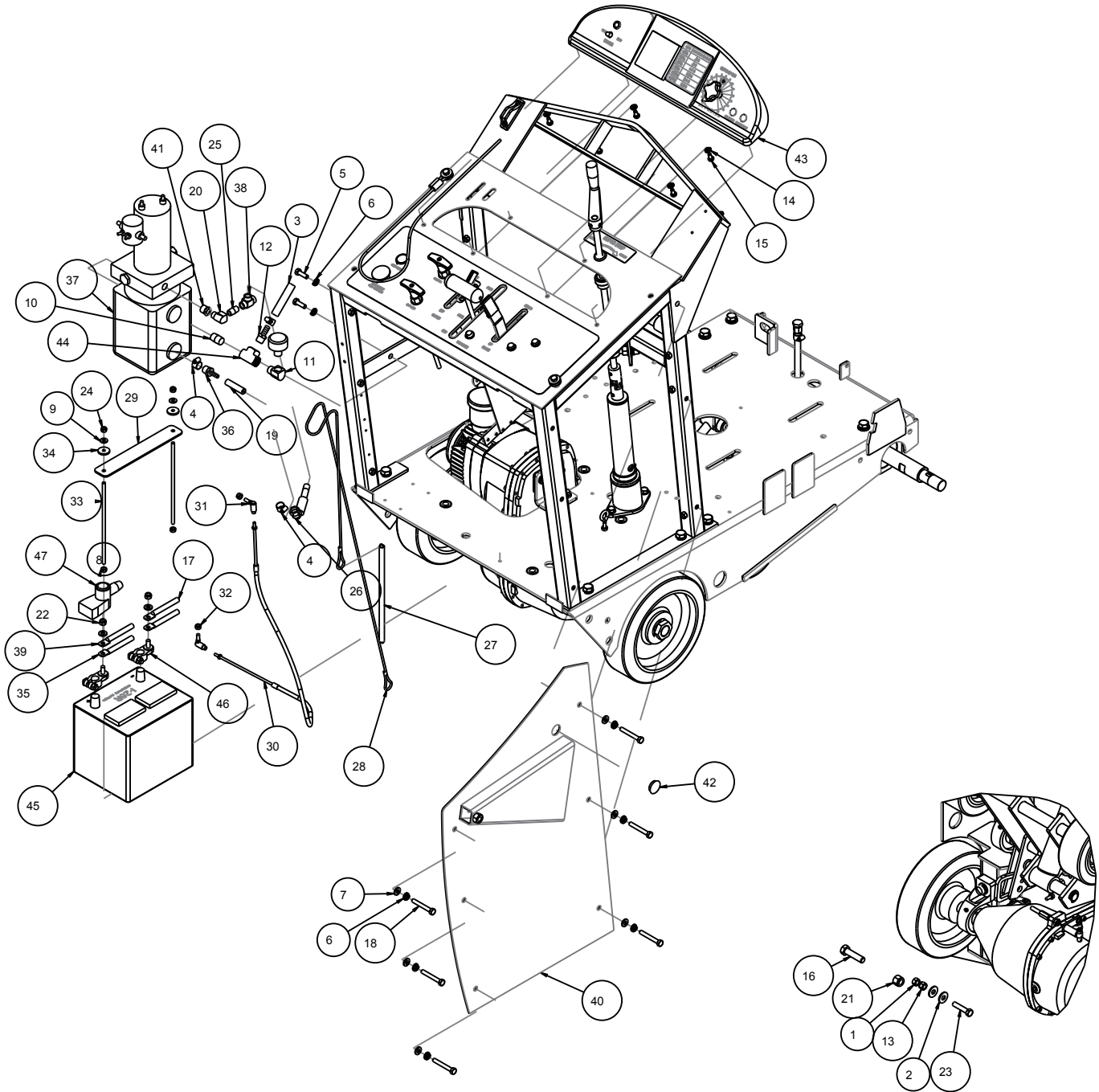
ITEM NO.	DESCRIPTION	PART #.	QTY.
1	WRENCH, BOX END, 1-1/2 X 9/16	137976	1
2	GRIP, HANDLE, 1.0 ID	150842	2
3	ELBOW, 1/2 MNPT 90 STREET, GALV	150844	1
4	HOSE, 3/8 X 5/8 VINYL 18"	150845	1
5	WASHER, 1/2 SAE FLAT	150924	5
6	CLAMP, HOSE, 5/8	151198	1
7	FITTING, 1/2 MNPT X 3/4 FNH	151322	1
8	WASHER, LOCK, SPLIT, 5/16	151747	12
9	WASHER, FLAT, SAE, 5/16	151754	12
10	WASHER, 1/2 SPLIT LOCK	153524	5
11	SCREW, 1/2-13 X 1-1/4 HEX HEAD CAP	153532	5
12	FITTING, 1/2 MNPT X 3/8 BARB	153653	1
13	SCREW, HEX, 5/16-18X 2-1/4	153951	12
14	PLATE, REAR FRAME	161106	1
15	HANDLEBAR	161158	2
16	KNOB, 1/2-13 T-HANDLER	162635	2
17	FITTING, 1/2 NPT COUPLER	164208	1
18	PANEL, TOWER, LH	167285	1
19	ASSY, BACK PANEL, LATCHING	167505	1
20	WRENCH, 1" OPEN END	169382	1

FIGURE 6 - PARTS LIST: MK-4000B CONCRETE SAW P/N 168702



ITEM NO.	DESCRIPTION	PART #.	QTY.
1	NUT, HEX, 5/16-18	101196	1
2	SCREW, HEX HD, 3/8-16 X 1-3/4	150920	2
3	WASHER, 1/2 SAE FLAT	150924	4
4	WASHER, FENDER, 5/16 X 1.0	151053	2
5	NUT, HEX NYLK, 3/8-16	152505	2
6	WASHER, 1/2 SPLIT LOCK	153524	4
7	SCREW, 1/2-13 X 1-1/4 HEX HEAD CAP	153532	4
8	SCREW, HEX HD, 5/16-18 X 1-1/4	153950	1
9	ASSY, POINTER, FRONT	160931	1
10	ASSY, REAR POINTER	163824	1
11	ASSY, REAR PNTR EXT	163824-EXT	1
12	BRACKET, ENGINE GUIDE, RIGHT	167242	1
13	BRACKET, ENGINE GUIDE, LEFT	167243	1

FIGURE 6 - PARTS LIST: MK-4000B CONCRETE SAW P/N 168702

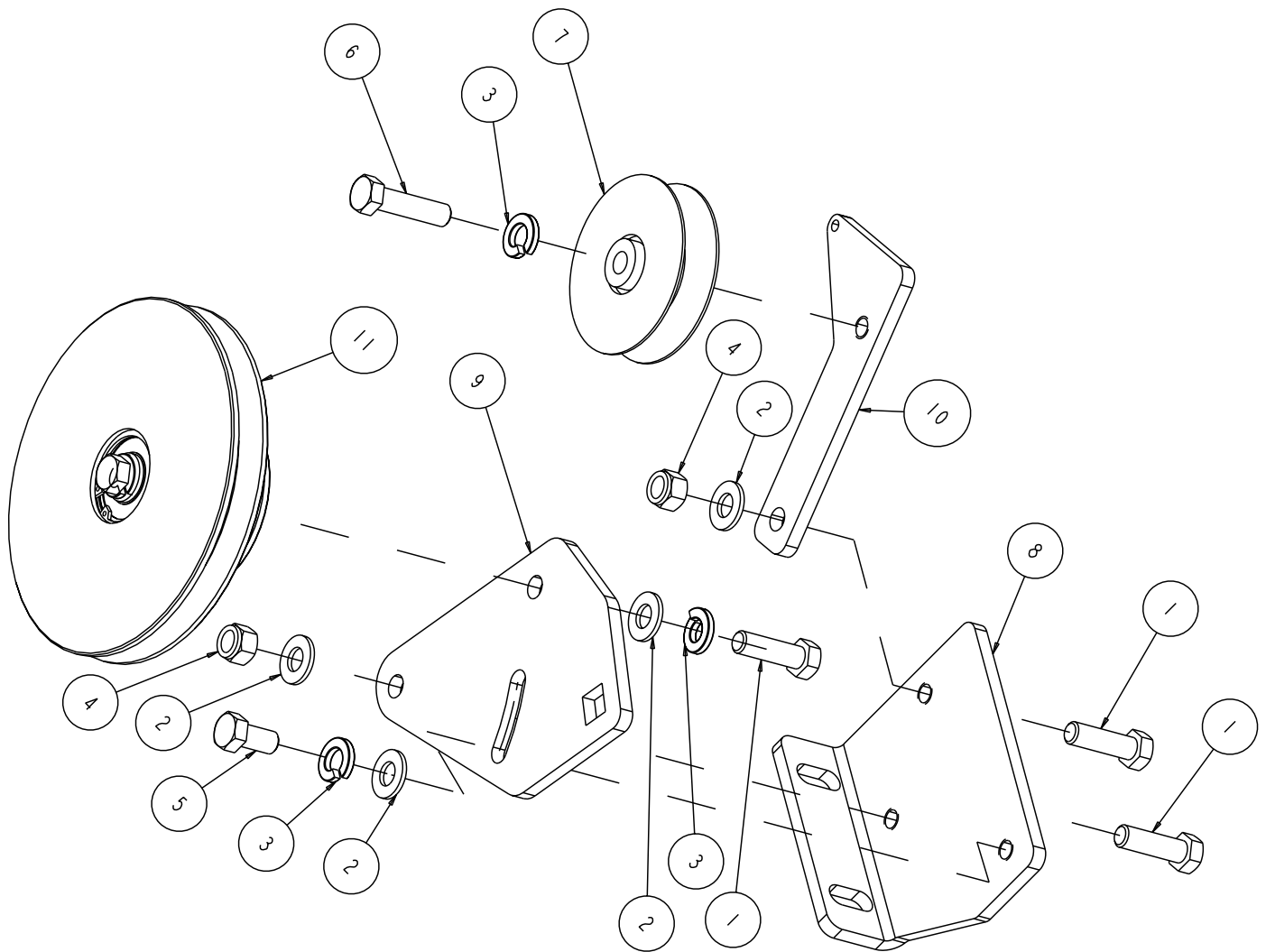


ITEM NO.	DESCRIPTION	PART #	QTY.
1	NUT, HEX,3/8-16	101188	1
2	WASHER, FLAT, USS, 3/8	101360	2
3	HOSE, 3/8 X 5/8 VINYL, 60"	150845	1
4	CLAMP, HOSE, 5/8	151198	3
5	SCREW, HEX HD, 5/16-18 X1	151743	2
6	WASHER, LOCK, SPLIT, 5/16	151747	8

FIGURE 6 - PARTS LIST: MK-4000B CONCRETE SAW P/N 168702

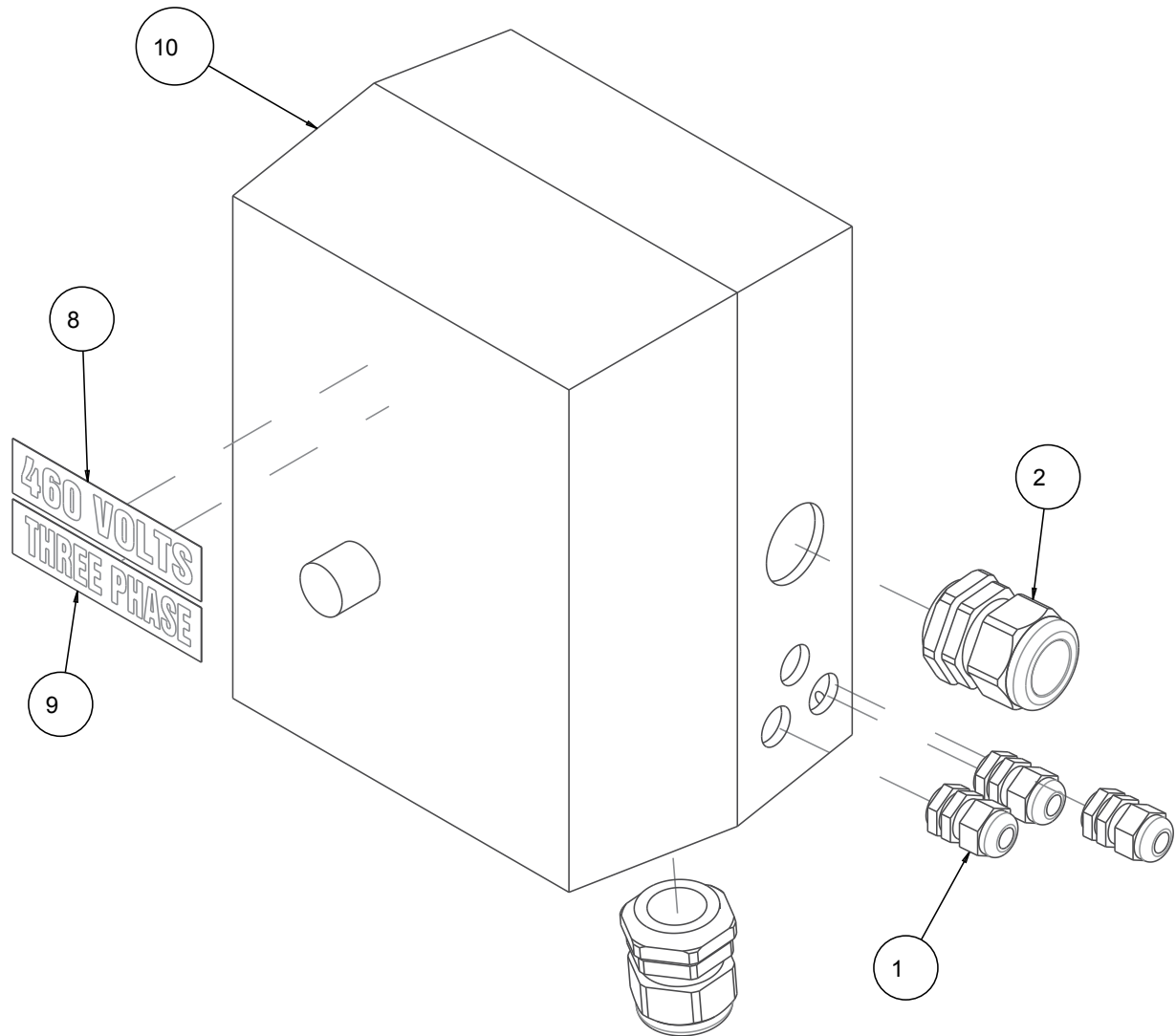
ITEM NO.	DESCRIPTION	PART #	QTY.
7	WASHER, FLAT, SAE, 5/16	151754	8
8	NUT, HEX, 1/4-20	151893	2
9	WASHER, FLAT, SAE, 1/4	151915	2
10	NIPPLE, 3/8 MNPT X CLOSE	152073	1
11	ELBOW, STREET, 3/8 NPT X 90, BRASS	152074	1
12	FITTING, 3/8 MNPT X 3/8 BARB	152076	1
13	NUT, HEX, NYLK, 3/8-16	152505	1
14	WASHER, LOCK, SPLIT, 1/4	152591	6
15	SCREW, 1/4-20 X 1/2 HEX HEAD	152608	6
16	SCREW, HEX HD 1/2-13 X 2	153533	1
17	CABLE, 4GA X 24 BLACK BATTERY	153849	2
18	SCREW, HEX, 5/16-18 X 2-1/4	153951	6
19	HOSE, 1/4 FUEL, 36" LONG	154163	1
20	ELBOW, 1/4MNPT STREET	154615	1
21	NUT, 1/2-13 NYLOK HEX	155162	1
22	NUT, HEX, NYLK, 5/16-18	158289	2
23	SCREW, 3/8-16 X 1-3/4 HEX HD	158398	1
24	NUT, HEX, NYLK, 1/4-20	159857	2
25	NIPPLE, 1/4NPT X CLOSE, BRASS	159905	1
26	HOSE, 1/4NPT X 9/16JIC90 HYD	162600	1
27	SPRING, 44 X 10.3 X .041 EXTENSION	162627	1
28	CABLE, 52" DEPTH INDICATOR	162628	1
29	BRACKET, BATTERY HOLDDOWN	162647	1
30	CABLE, TRANS CONTROL	162858	1
31	BALL JOINT, 30 SERIES	162859	2
32	NUT, HEX, NYLK, 1/4-28	163936	2
33	STUD, 1/4-20 X 8.5	164212	2
34	WASHER, 1/4 RUBBER FENDER	164593	2
35	CABLE, 4GA X 52 RED BATTERY	166050	1
36	FITTING, 3/8 MNPT X 1/4 BARB, BRASS	167239	1
37	PUMP, HYDRAULIC	167271	1
38	FITTING, TEE, 1/4 FNPT, BRASS	167272	1
39	CABLE, 4GA X 29 RED BATTERY	167273	1
40	PANEL, TOWER, RH	167284	1
41	FITTING, 3/8 MNPT X 1/4 FNPT	167506	1
42	PLUG, HOLE PLASTIC 1.0"	167941	1
43	ASSY, INSTRUMENT PANEL, 4000B	168703	1
44	TEE, 3/8NPT, BRASS	170387	1
45	BATTERY, 12 VOLT 90 AMP-HOUR	170458	1
46	TERMINAL, BATTERY, MARINE POST	170459	2
47	INSULATOR, BATTERY TERM, MARINE	170460	1

FIGURE 7 - PARTS LIST: ASSY, TRANS IDLER P/N 168737



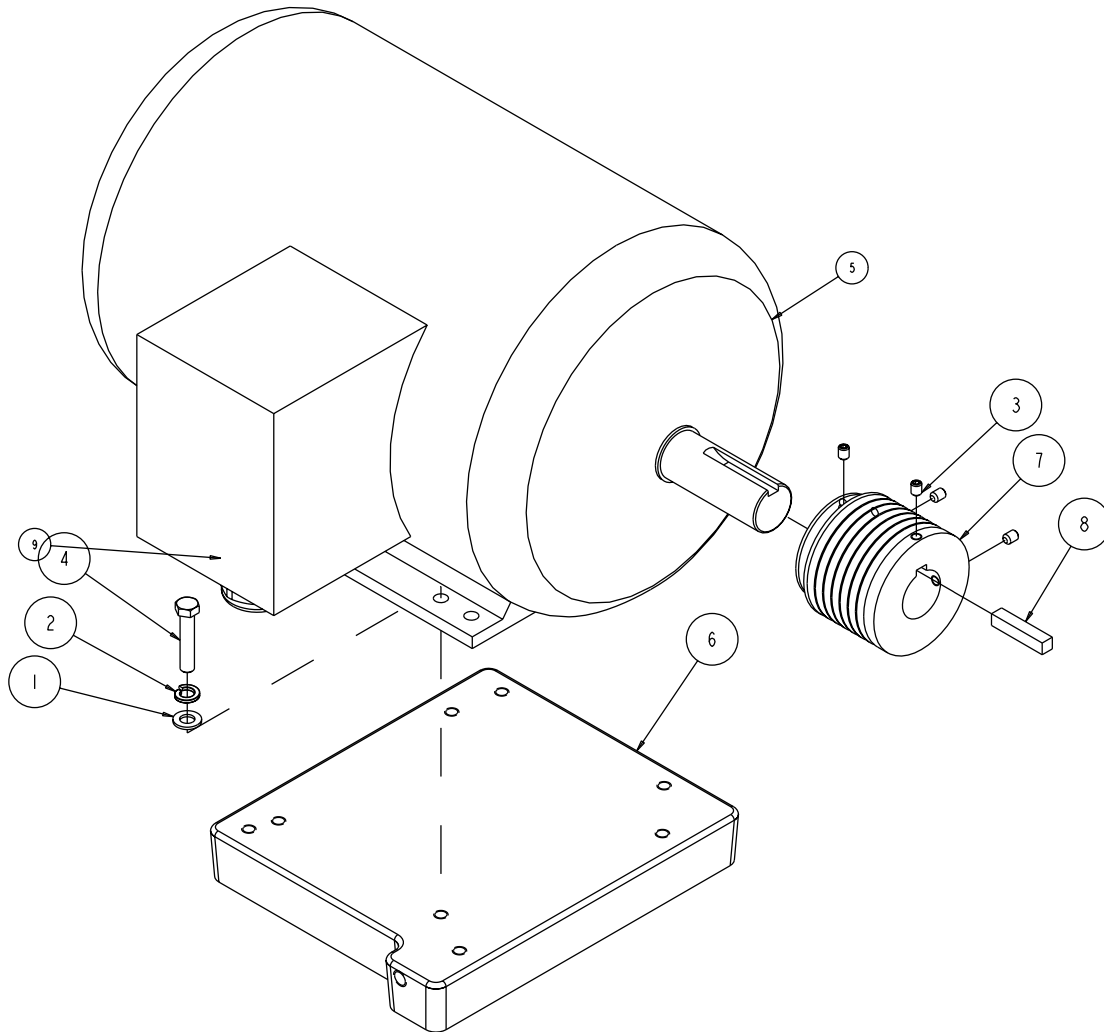
ITEM NO.	DESCRIPTION	PART #	QTY.
1	SCREW, 3/8-16 X 1-1/4 HEX HEAD CAP	150774	3
2	WASHER, 3/8 SAE FLAT	150923	4
3	WASHER, 3/8 SPLIT LOCK	150925	3
4	NUT, 3/8-16 NYLOK HEX	152505	2
5	SCREW, HEX, 3/8-16 X 3/4	153527	1
6	SCREW, 3/8-16 X 1-1/2 HEX HEAD	153528	1
7	PULLEY, IDLER, BV3001	153797	1
8	BRACKET, IDLER TOWER	165699	1
9	ARM, TRANS BELT TENSIONER	156700	1
10	ARM, TRANS BELT IDLER	165701	1
11	ASSY, PULLEY, TRANS BELT, B	168736	1

FIGURE 8 - PARTS LIST: ASSY, SWITCH, 30HP, 460V P/N 168734



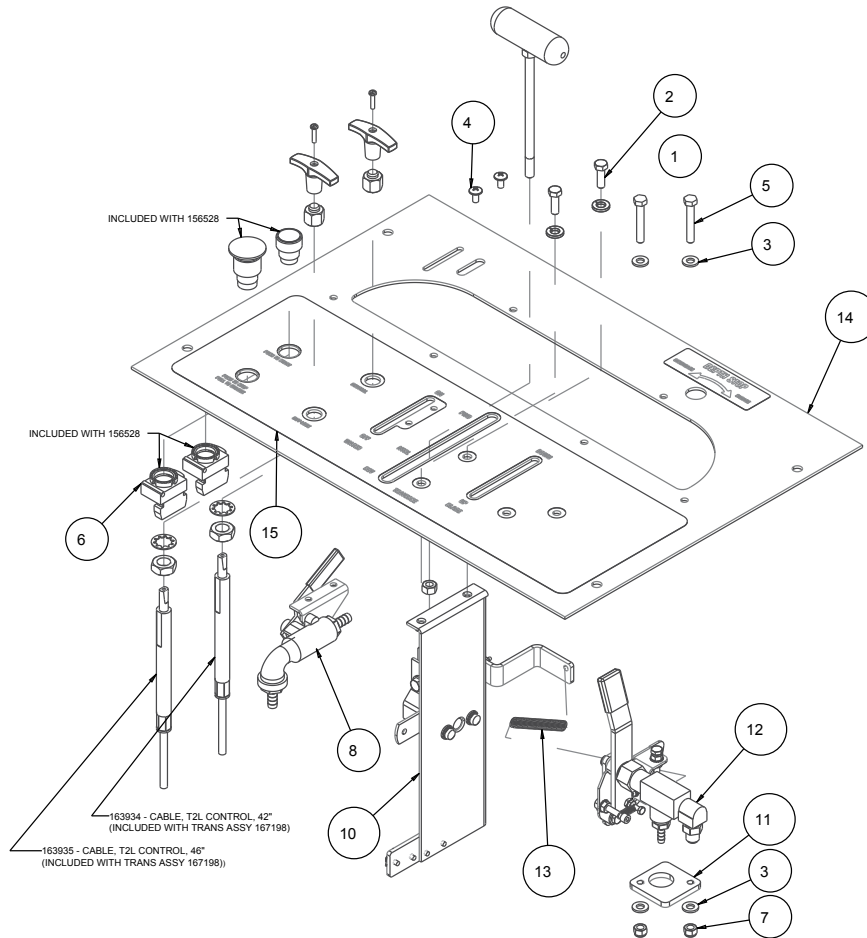
ITEM NO.	DESCRIPTION	PART #	QTY.
1	CONNECTOR, CORD,LTF11	159582	3
2	CONNECTOR, CORD, PG29	160689	2
3	TERMINAL, 8GA X #10 RING	166276	2
4	TRANSFORMER, 480V-120/240V, 75KVA	168625	1
5	COIL, 100:5	168631	1
6	FUSE, MIDGET, 1A	168649	1
7	FUSE, MIDGET, .3A	168651	2
8	LABEL, 460V	168652	1
9	LABEL, THREE PHASE	168655	1
10	STARTER, 30 HP 460V 3 PH	168733	1

FIGURE 9 - PARTS LIST: ASSY, MOTOR P/N 168704



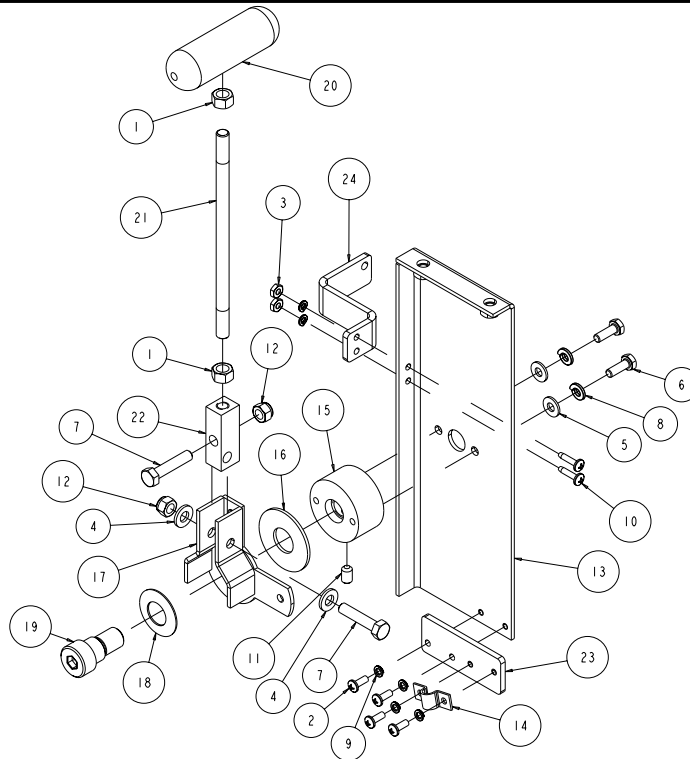
ITEM NO.	DESCRIPTION	PART #	QTY.
1	WASHER, 1/2 SAE FLAT	150924	4
2	WASHER, 1/2 SPLIT LOCK	153524	4
3	SCREW, SET, SOC, CUPT, 3/8-16X1/2	153710	4
4	BOLT, 1/2-13 X 2.0 HEX HEAD TAP	162598	4
5	MTR, 30HP 230/460 3PH	167489	1
6	CASTING, MTR MT, 4000B- COMP	168730	1
7	PULLEY, 7/3VX 4.7 X 1-7/8 BORE	168731	1
8	KEY, SQR, 3/8 X 4.0	168732	1
9	CONNECTOR, CORD, 1-1/2" NPT	169608	1

FIGURE 10 - PARTS LIST: ASSY, CONTROL PANEL, P/N 168705



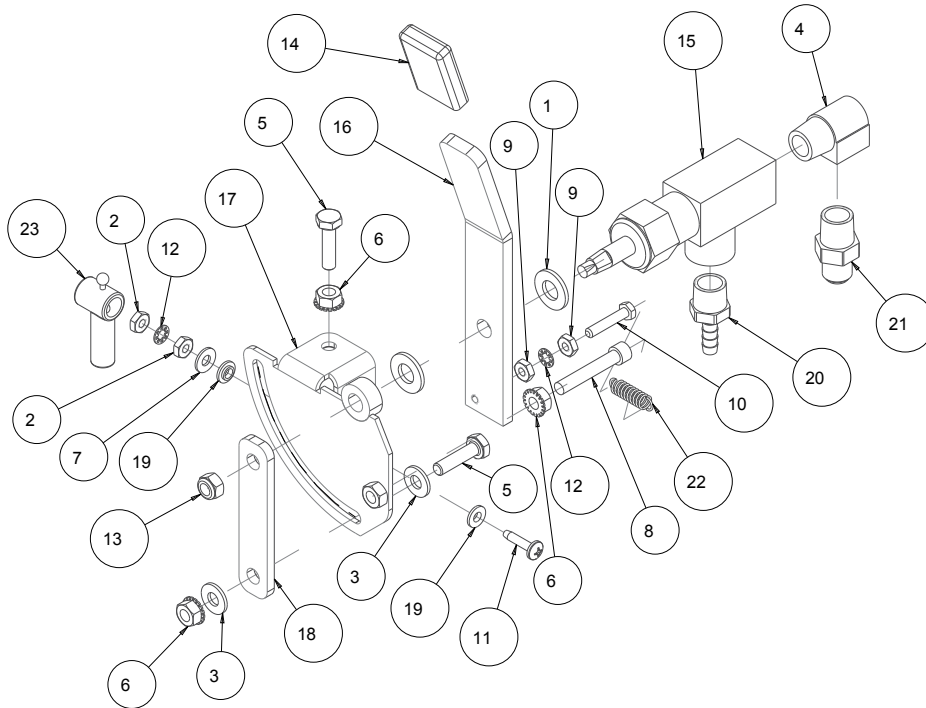
ITEM NO.	DESCRIPTION	QTY.	PART #T
1	WASHER, 3/8 SPLIT LOCK	150925	2
2	SCREW, HEX HD, 5/16-18 X 1	151743	2
3	WASHER, FLAT 5/16 SAE	151754	4
4	SCREW, 1/4-20 X 1/2 TRUSS HEAD	153880	2
5	SCREW, 5/16-18 X 2 HEX HEAD	155494	2
6	ASSY, PUSH BUTTON MK-5000 3PH	156528	1
7	NUT, 5/16-18 NYLOK HEX	158289	2
8	ASSY, WATER VALVE	164161	1
9	LABEL, SET, CONTROL PANEL	167218	1
10	ASSY, CONTROLHEAD, FNR	167226	1
11	PLATE, UP/DOWN CONTROL MOUNT	167232	1
12	ASSY, UP/DOWN CONTROL	167233	1
13	SPRING, EXT, 7/160D X .048WD X 3.0L	167270	1
14	PANEL, CONTROL	168742	1
15	LABEL, CONTROL PANEL, 4000B	168746	1

FIGURE 11 - PARTS LIST: ASSY, CONTROLHEAD, FNT SUB P/N 167226



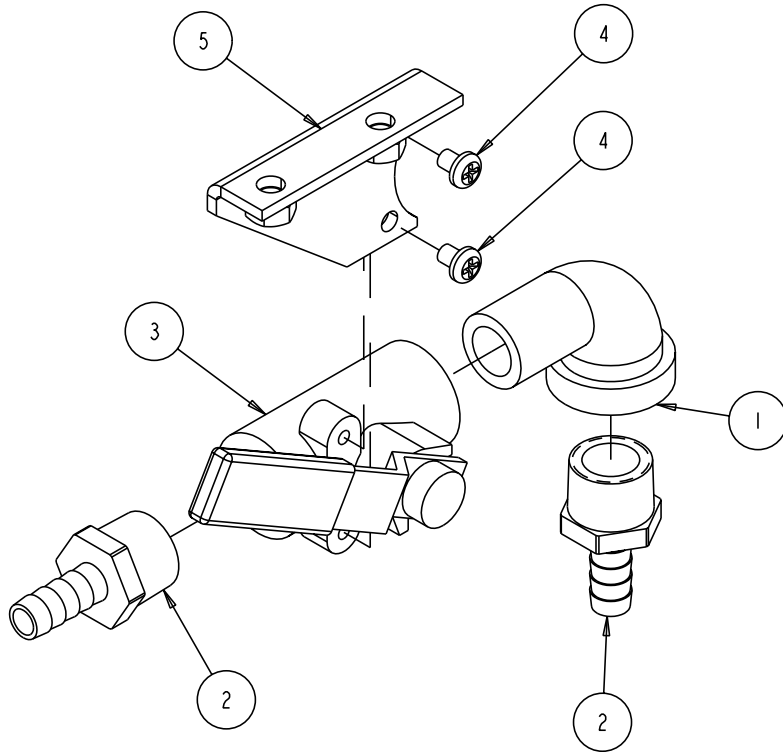
ITEM NO.	DESCRIPTION	PART #	QTY.
1	NUT, 3/8-16 HEX	2	101188
2	SCREW, 10-24 X 1/2 PAN HEAD PHILLIPS MACHINE	4	151744
3	NUT, 10-24 HEX	2	151749
4	WASHER, 5/16 SAE FLAT	2	151754
5	WASHER, 1/4 SAE FLAT	2	151915
6	SCREW, 1/4-20 X 3/4 HEX HEAD MACHINE	2	152370
7	SCREW, 5/16-18 X 1-1/2 HEX HEAD MACHINE	2	152467
8	WASHER, 1/4 SPLIT LOCK	2	152591
9	WASHER, #10 SPLIT LOCK	6	153684
10	SCREW, PAN HD PHIL MS 10-24X3/4	2	156641
11	SCREW, 5/16 - 18 X 3/8 SOCKET HEAD SET	1	157084
12	NUT, 5/16-18 NYLON HEX	2	158289
13	BRACKET, FNR CONTROL	1	162634
14	CLAMP, 30 SERIES CONDUIT	1	162860
15	JOURNAL, FNR CONTROL	1	162889
16	WASHER, 2.0 X .812 X .088 NYLON	1	162890
17	BRACKET, FNR PIVOT	1	162891
18	SPRING, 1.50 X .755 X .045, DISK	1	162892
19	SCREW, 3/4 X 1/2 SOCKET HEAD SHOULDER	1	162893
20	HANDLE, FNR GRIP	1	167227
21	BAR, FNR HANDLE	1	167228
22	BLOCK, FNR HANDLE	1	167229
23	PLATE, FNR CABLE	1	167230
24	BRACKET, FNR SPRING	1	167231

FIGURE 12 - PARTS LIST: ASSY, UP/DOWN CONTROL P/N 167233



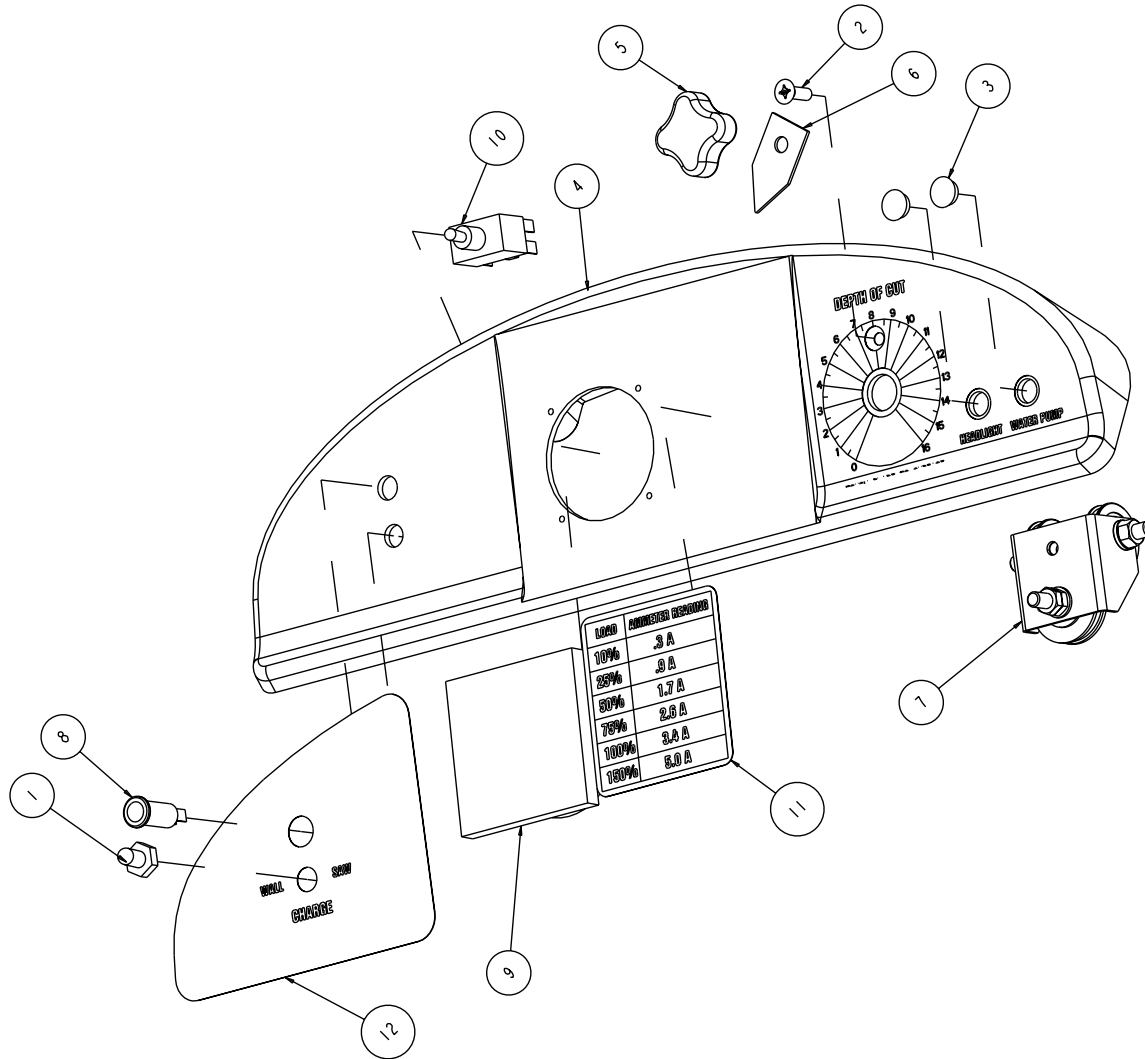
ITEM NO.	DESCRIPTION	PART #	QTY.
1	WASHER, 3/8 SAE FLAT	150923	2
2	NUT, 10-24 HEX	151749	2
3	WASHER, 1/4 SAE FLAT	151915	2
4	ELBOW, STREET, 3/8 NPT X 90, BRASS	152074	1
5	SCREW, HEX HD TAP, 1/4-20 X 1	152676	2
6	NUT, HEX TW, 1/4-20	153941	3
7	WASHER, #10 SAE FLAT	154369	1
8	SCREW, SOC HD CAP, 1/4- 20 X 1	154683	1
9	NUT, HEX 10-32	156269	2
10	SCREW, 10-32 X 1 HEX HEAD CAP	156270	1
11	SCREW, PAN HD PHIL MS 10-24X3/4	156641	1
12	WASHER, LOCK, IT, #10	158336	2
13	NUT, HEX, NYLK, 1/4-28	163936	1
14	CAP, PUSH-ON, VINYL, 1 X 1/4	167216	1
15	VALVE, 3/8 ANGLE NEEDLE	167234	1
16	HANDLE, UP/DOWN CONTROL	167235	1
17	PLATE, UP/DOWN ADJ	167236	1
18	ARM, DEPTH CONTROL ADJ	167237	1
19	WASHER, 5/16 FLANGED PLASTIC	167238	2
20	FITTING, 3/8 MNPT X 1/4 BARB, BRASS	167239	1
21	FITTING, 3/8 NPT X 3/8 JIC	167240	1
22	SPRING, EXTENSION .30OD X 3/4L X .037WIRE	167241	1
23	INSULATOR, EYELET TERMINAL, RED	170718	1

FIGURE 13 - PARTS LIST: ASSY, WATER VALVE P/N 164161



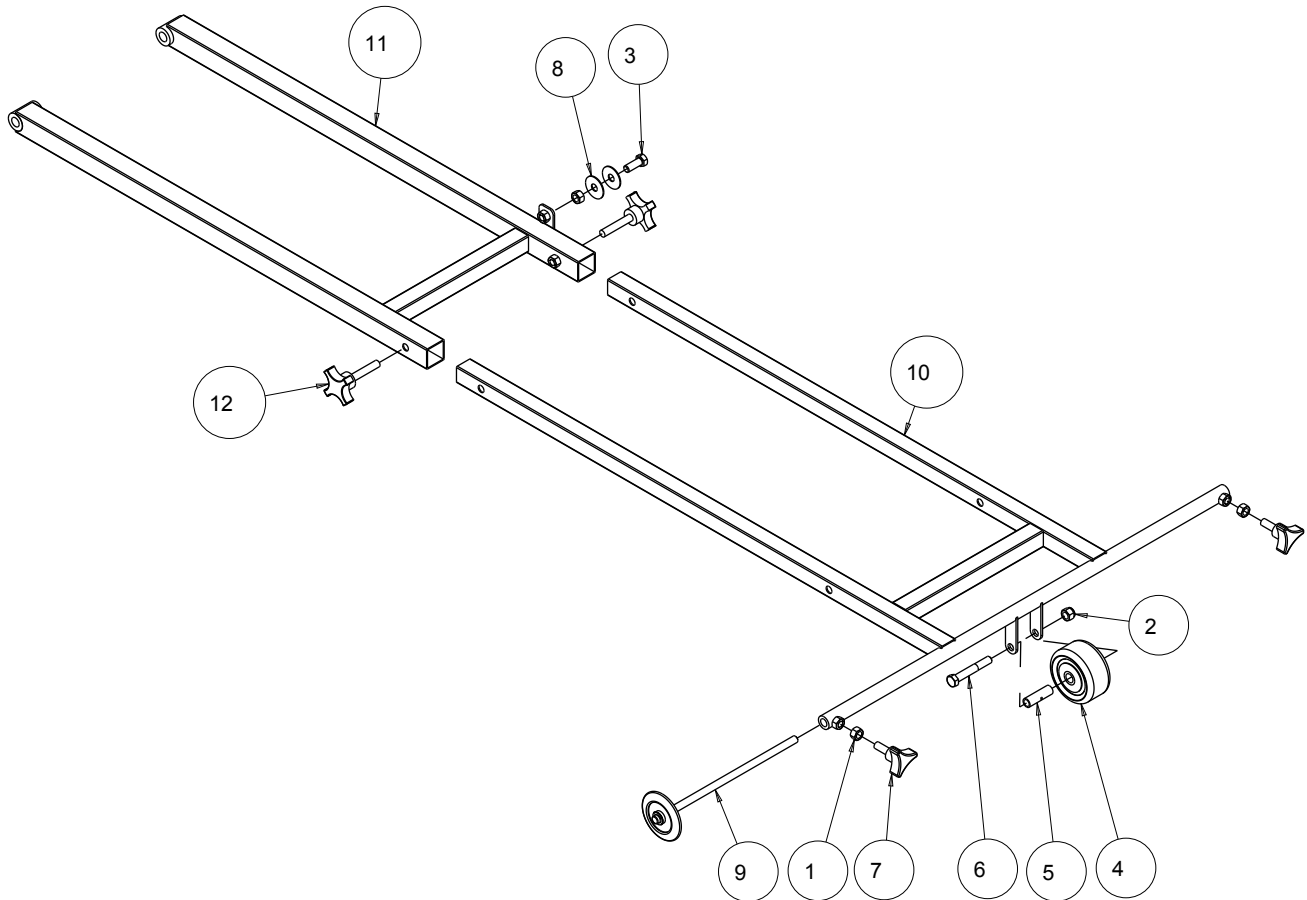
ITEM NO.	DESCRIPTION	PART #	QTY.
1	ELBOW, 1/2 MNPT 90 STREET, GALV	150848	1
2	FITTING, 1/2 MNPT X 3/8 BARB	153653	2
3	VALVE, BALL 1/2"	153796	1
4	SCREW, PAN HD PHIL 10-24 X 5/16	159494	2
5	BRACKET, WATER VALVE	162650	1

FIGURE 14 - PARTS LIST: ASSY, INSTRUMENT PANEL P/N 168703

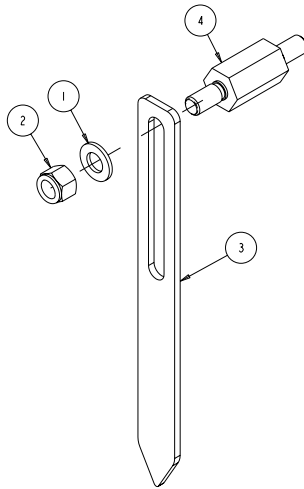


ITEM NO.	DESCRIPTION	PART #	QTY.
1	COVER, SWITCH	154301	1
2	SCREW, 1/4-20 X 3/4 FLAT HEAD PHILLIPS MACHINE	154657	1
3	PLUG, 1/2 FLUSH HEAD BUTTON	156779	2
4	PANEL, INSTRUMENT (COMP)	160909-B	1
5	KNOB, DEPTH INDICATOR (COMP)	162629	1
6	POINTER, DEPTH INDICATOR	162630	1
7	ASSY, DEPTH INDICATOR	162881	1
8	LIGHT, PANEL, 1/2" DIA. AMBER	167225	1
9	AMMETER, 0-5A	167486	1
10	SWITH, TOGGLE 125V 20A	168624	1
11	LABEL, AMMETER, 4000B	168744	1
12	LABEL, INST. LEFT, 4000B	168745	1

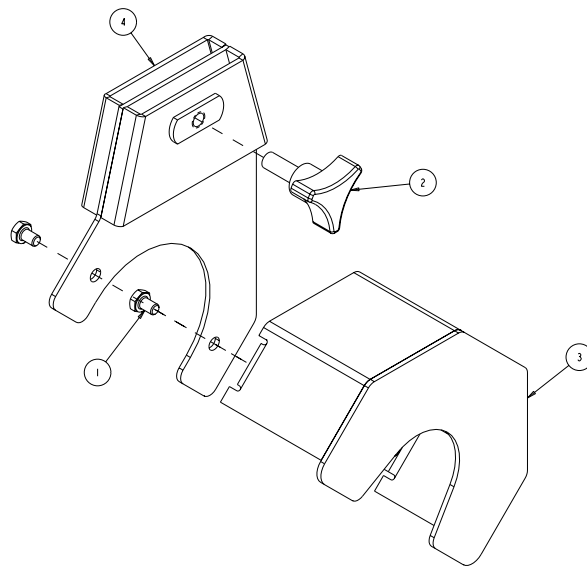
FIGURE 15 - PARTS LIST: ASSY, POINTER, FRONT P/N 160931



ITEM NO.	DESCRIPTION	PART #	QTY.
1	NUT, 3/8-16 HEX	101188	2
2	NUT, 3/8-16 NYLOK HEX	152505	1
3	WHEEL, POINTER, 3"	155066	1
4	BUSHING, 3/8 ID X 1-5/8L	155153	1
5	SCREW, 3/8-16 X 2-1/2 HEX HEAD CAP	156030	1
6	KNOB, 3 PRONG 3/8-16 X 1	156175	2
7	POINTER ARM, FRONT	160938	1
8	ASSY, POINTER WHEEL	165238	1

FIGURE 16 - PARTS LIST: ASSY, REAR POINTER P/N 163824

ITEM NO.	DESCRIPTION	PART #	QTY.
1	WASHER, 1/2 SAE FLAT	150924	1
2	NUT, 1/2 - 13 NYLOK HEX	155162	1
3	ARM, REAR POINTER	160951	1
4	STANDOFF, REAR POINTER	163825	1

FIGURE 17 - PARTS LIST: ASSY, SHAFT GUARD P/N 166056

ITEM	DESCRIPTION	PART #	QTY.
1	SCREW, HEX HD 1/4 - 20 X 3/8	153526	2
2	KNOB, 3 PRONG 3/8 - 16 X 1	156175	1
3	GUARD, SHAFT	161109	1
4	BACK PLATE, SHAFT GUARD	166057	1

FIGURE 18 - PARTS LIST: ASSY, 20" BLADE GUARD P/N 168279-20-WH

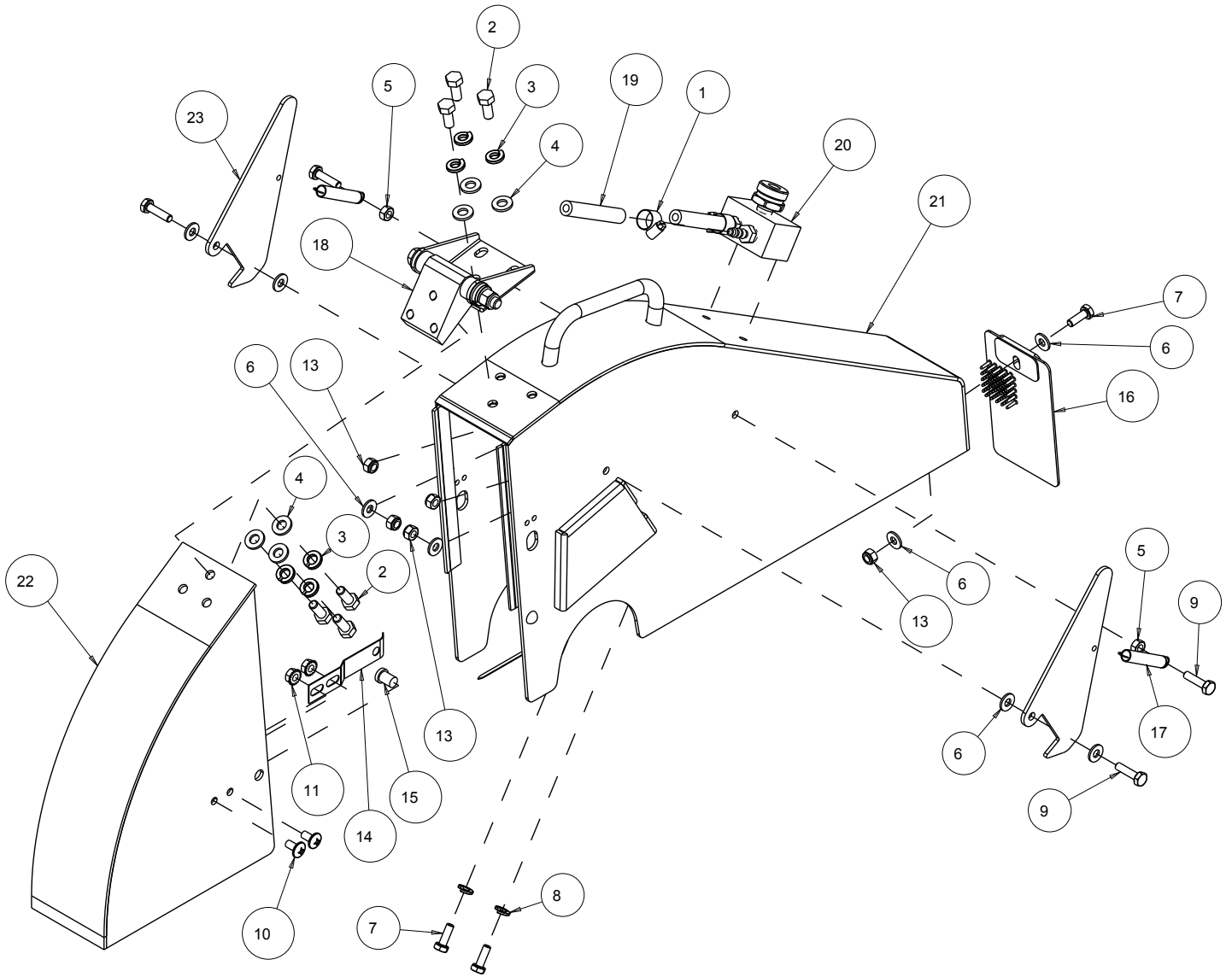


FIGURE 18 - PARTS LIST: ASSY, 20" BLADE GUARD P/N 168279-20-WH

ITEM NO.	DESCRIPTION	PART #	QTY.
1	CLAMP, 5/8 HOSE	151198	2
2	SCREW, 5/16-18 X 3/4 HEX HEAD MACHINE	151369	6
3	WASHER, LOCK, SPLIT, 5/16	151747	6
4	WASHER, 5/16 SAE FLAT	151754	6
5	NUT, 1/4-20 HEX	151893	2
6	WASHER, 1/4 SAE FLAT	151915	8
7	SCREW, 1/4-20 X 3/4 HEX HEAD MACHINE	152370	3
8	WASHER, 1/4 SPLIT LOCK	152591	2
9	SCREW, HEX HD CAP, 1/4-20 X 1	152676	4
10	SCREW, 1/4-20 X 1/2 TRUSS HEAD	153880	2
11	NUT, HEX W/WSHR, 1/4-20	153941	2
12	TIE, NYLON CABLE, 1/8 X 4, BLACK	158528	4
13	NUT, 1/4-20 NYLOK	159857	5
14	LOCK, BLADE GUARD	159998	1
15	BUTTON, RELEASE	159999	1
16	GUARD, SPLASH	160310	1
17	SPRING, EXTENSION	160875	2
18	ASSY, HINGE	163979	1
19	HOSE, VINYL, 1/4 X 1/2 (24"L)	167620	2
20	ASSY, WATER MANIFOLD, 2T	167624	1
21	GUARD, 20" FRONT BLADE	168277-20-WH	1
22	GUARD, 20" REAR BLADE	168278-20-WH	1
23	LATCH, 20" BLADE GUARD	168528	2

FIGURE 19 - PARTS LIST: ASSY, 26" BLADE GUARD P/N 168279-26-WH

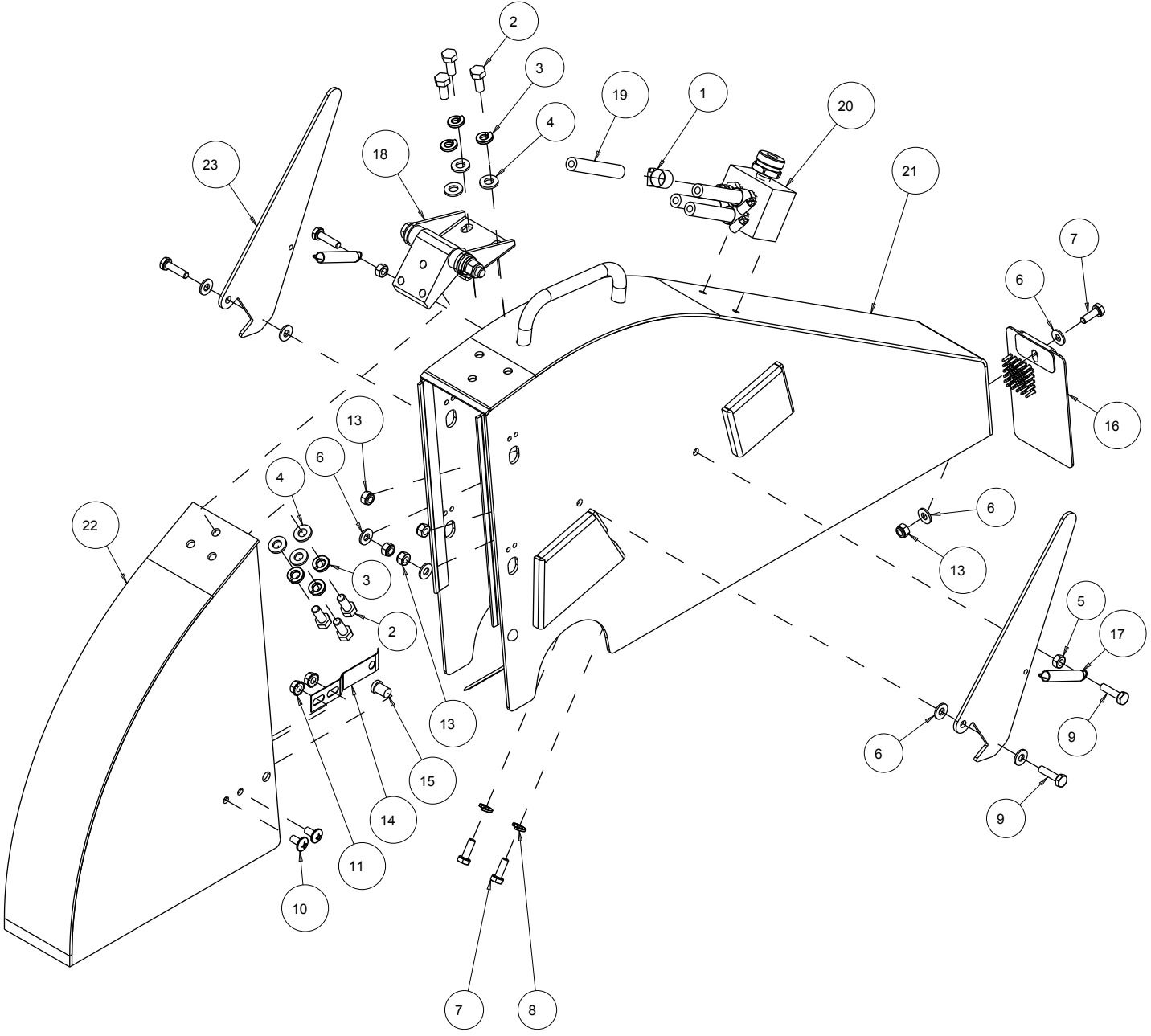


FIGURE 19 - PARTS LIST: ASSY, 26" BLADE GUARD P/N 168279-26-WH

ITEM NO.	DESCRIPTION	PART #	QTY.
1	CLAMP, 5/8 HOSE	151198	2
2	SCREW, 5/16-18 X 3/4 HEX HEAD MACHINE	151369	6
3	WASHER, LOCK, SPLIT, 5/16	151747	6
4	WASHER, 5/16 SAE FLAT	151754	6
5	NUT, 1/4-20 HEX	151893	2
6	WASHER, 1/4 SAE FLAT	151915	8
7	SCREW, 1/4-20 X 3/4 HEX HEAD MACHINE	152370	3
8	WASHER, 1/4 SPLIT LOCK	152591	2
9	SCREW, HEX HD CAP, 1/4-20 X 1	152676	4
10	SCREW, 1/4-20 X 1/2 TRUSS HEAD	153880	2
11	NUT, HEX W/WSHR, 1/4-20	153941	2
12	TIE, NYLON CABLE, 1/8 X 4, BLACK	158528	4
13	NUT, 1/4-20 NYLOK	159857	5
14	LOCK, BLADE GUARD	159998	1
15	BUTTON, RELEASE	159999	1
16	GUARD, SPLASH	160310	1
17	SPRING, EXTENSION	160875	2
18	ASSY, HINGE	163979	1
19	HOSE, VINYL, 1/4 X 1/2 (24"L)	167620	4
20	ASSY, WATER MANIFOLD, 4T	167625	1
21	GUARD, 26" FRONT BLADE	168277-26-WH	1
22	GUARD, 26" REAR BLADE	168278-26-WH	1
23	LATCH, 26" BLADE GUARD	168280	2

FIGURE 20 - PARTS LIST: ASSY, 30" BLADE GUARD P/N 168279-30-WH

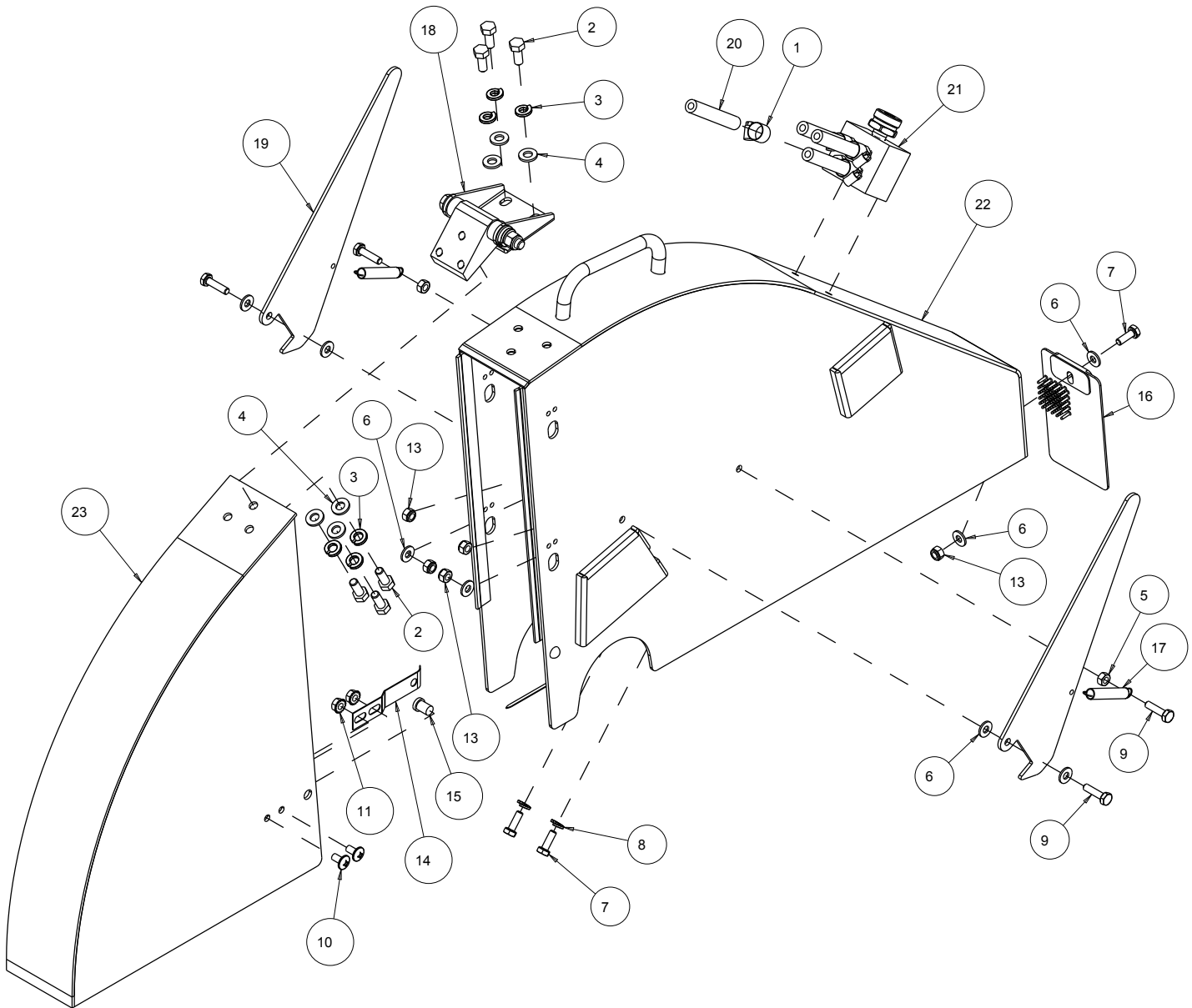


FIGURE 20 - PARTS LIST: ASSY, 30" BLADE GUARD P/N 168279-30-WH

ITEM NO.	DESCRIPTION	PART #	QTY.
1	CLAMP, 5/8 HOSE	151198	2
2	SCREW, 5/16-18 X 3/4 HEX HEAD MACHINE	151369	6
3	WASHER, LOCK, SPLIT, 5/16	151747	6
4	WASHER, 5/16 SAE FLAT	151754	6
5	NUT, 1/4-20 HEX	151893	2
6	WASHER, 1/4 SAE FLAT	151915	8
7	SCREW, 1/4-20 X 3/4 HEX HEAD MACHINE	152370	3
8	WASHER, 1/4 SPLIT LOCK	152591	2
9	SCREW, HEX HD CAP, 1/4-20 X 1	152676	4
10	SCREW, 1/4-20 X 1/2 TRUSS HEAD	153880	2
11	NUT, HEX W/WSHR, 1/4-20	153941	2
12	TIE, NYLON CABLE, 1/8 X 4, BLACK	158528	4
13	NUT, 1/4-20 NYLOK	159857	5
14	LOCK, BLADE GUARD	159998	1
15	BUTTON, RELEASE	159999	1
16	GUARD, SPLASH	160310	1
17	SPRING, EXTENSION	160875	2
18	ASSY, HINGE	163979	1
19	LATCH, 30" BLADE GUARD	165874	2
20	HOSE, VINYL, 1/4 X 1/2 (24"L)	167620	4
21	ASSY, WATER MANIFOLD, 4T	167625	1
22	GUARD, 30" FRONT BLADE	168277-30-WH	1
23	GUARD, 30" REAR BLADE	168278-30-WH	1

FIGURE 21 - PARTS LIST: ASSY, 36" BLADE GUARD P/N 168279-36-WH

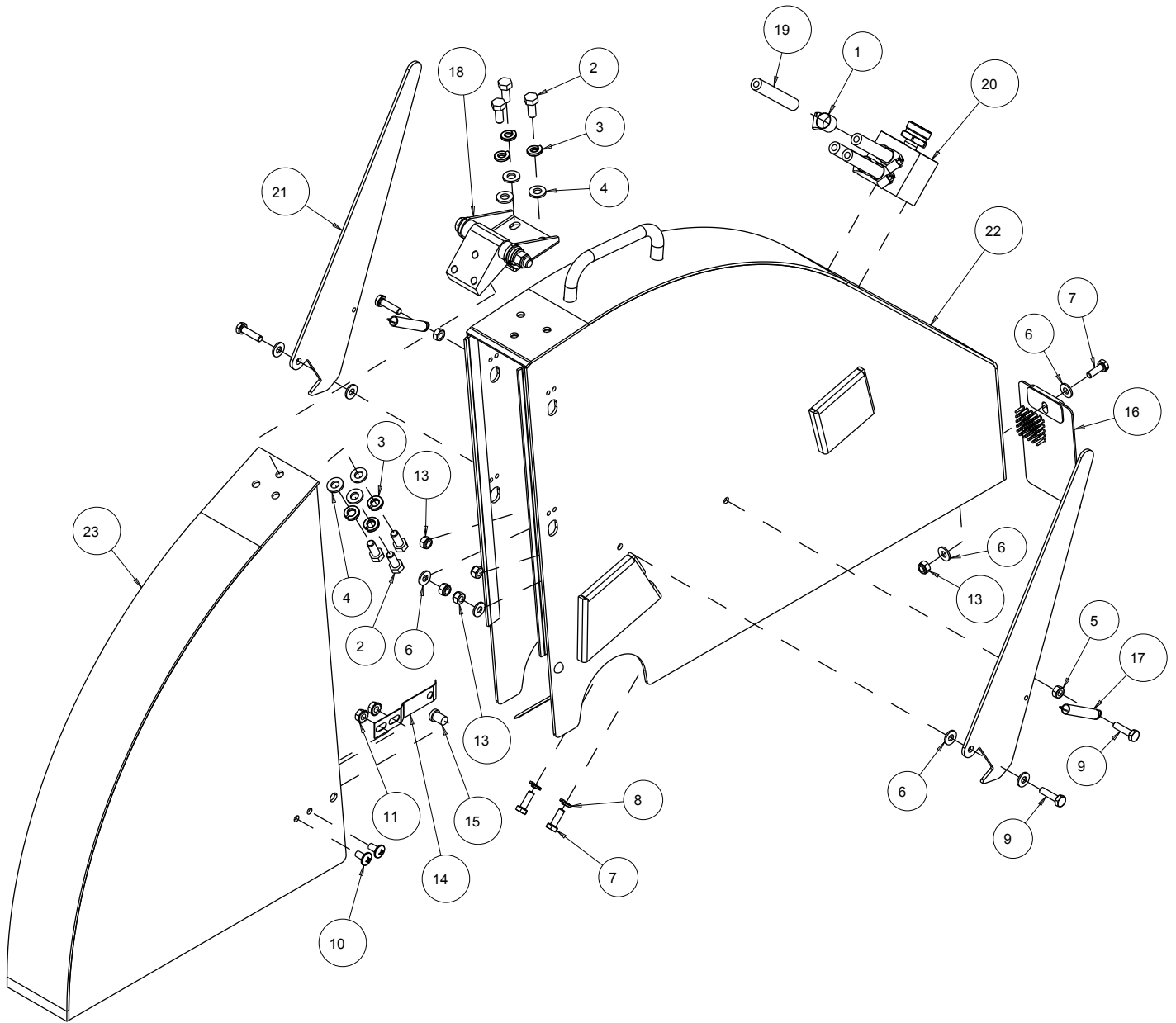
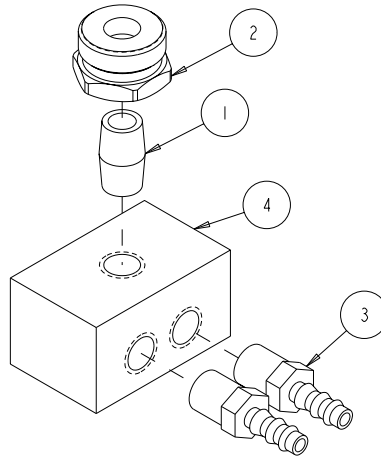


FIGURE 21- PARTS LIST: ASSY, 36" BLADE GUARD P/N 168279-36-WH

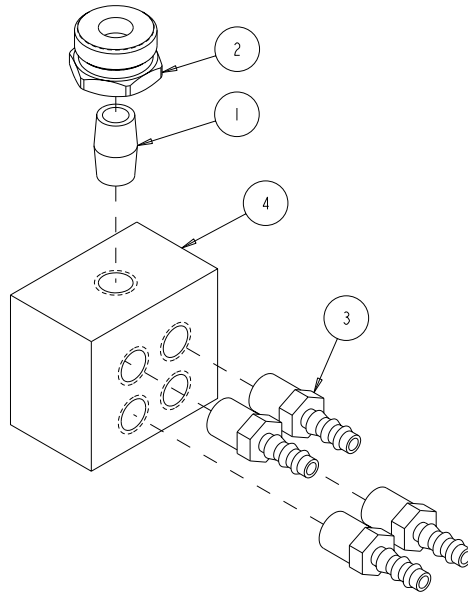
ITEM NO.	DESCRIPTION	PART #	QTY.
1	CLAMP, 5/8 HOSE	151198	2
2	SCREW, 5/16-18 X 3/4 HEX HEAD MACHINE	151369	6
3	WASHER, LOCK, SPLIT, 5/16	151747	6
4	WASHER, 5/16 SAE FLAT	151754	6
5	NUT, 1/4-20 HEX	151893	2
6	WASHER, 1/4 SAE FLAT	151915	8
7	SCREW, 1/4-20 X 3/4 HEX HEAD MACHINE	152370	3
8	WASHER, 1/4 SPLIT LOCK	152591	2
9	SCREW, HEX HD CAP, 1/4-20 X 1	152676	4
10	SCREW, 1/4-20 X 1/2 TRUSS HEAD	153880	2
11	NUT, HEX W/WSHR, 1/4-20	153941	2
12	TIE, NYLON CABLE, 1/8 X 4, BLACK	158528	4
13	NUT, 1/4-20 NYLOK	159857	5
14	LOCK, BLADE GUARD	159998	1
15	BUTTON, RELEASE	159999	1
16	GUARD, SPLASH	160310	1
17	SPRING, EXTENSION	160875	2
18	ASSY, HINGE	163979	1
19	HOSE, VINYL, 1/4 X 1/2 (24"L)	167620	4
20	ASSY, WATER MANIFOLD, 4T	167625	1
21	LATCH, 36" BLADE GUARD	167658	2
22	GUARD, 36" FRONT BLADE	168277-36-WH	1
23	GUARD, 36" REAR BLADE	168278-36-WH	1

FIGURE 22 - PARTS LIST: ASSY, WATER MANIFOLD, 2T P/N 167624



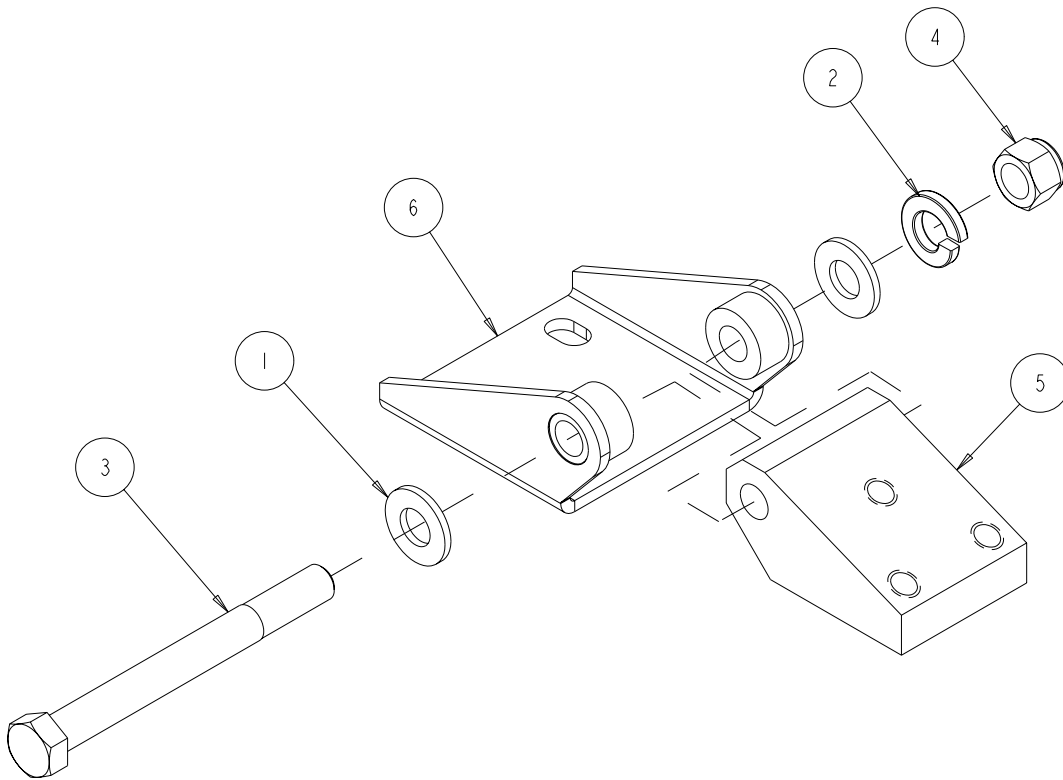
ITEM NO.	DESCRIPTION	PART #	QTY.
1	NIPPLE, 1/4 NPT X CLOSE, BRASS	159905	1
2	FITTING, 3/4 X 11.5 MNH X 1/4 FNPT	163992	1
3	FITTING, PUSH ON HOSE 1/4 X 1/4 MALE	165183	2
4	MANIFOLD, WATER, 2 TUBE	167622	1

FIGURE 23 - PARTS LIST: ASSY, WATER MANIFOLD, 4T P/N 167625



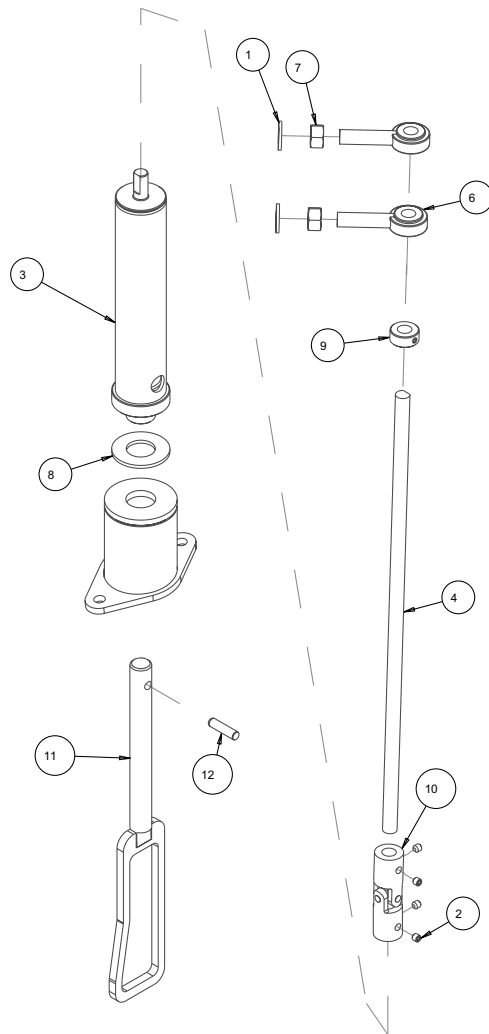
ITEM NO.	DESCRIPTION	PART #	QTY.
1	NIPPLE, 1/4 NPT X CLOSE, BRASS	159905	1
2	FITTING, 3/4 X 11.5 MNH X 1/4 FNPT	163992	1
3	FITTING, PUSH ON HOSE 1/4 X 1/4 MALE	165183	4
4	MANIFOLD, WATER, 4 TUBE	167623	1

FIGURE 35 - PARTS LIST: ASSY, HINGE P/N 163979



ITEM NO.	DESCRIPTION	PART #	QTY.
1	WASHER, 3/8 SAE FLAT	150923	2
2	WASHER, 3/8 SAE LOCK	150925	1
3	SCREW, 38 - 16 X 3-3/4 HEX HD CAP	152504	1
4	NUT, 3/8 - 16 X 3 NYLOK HEX	152505	1
5	PLATE, FRONT HINGE	163977	1
6	PLATE, REAR HINGE	163978	1

FIGURE 16 - PARTS LIST: MK-4000KB ASSEMBLY DEPTH STOP P/N 165710



ITEM	DESCRIPTION	PART #	QTY.
1	WASHER, 1/2 SAE FLAT	150924	2
2	SCREW, SET, CUP PT 5/16 - 18 X 1/4	152607	4
3	TUBE, DEPTH STOP	161138	1
4	ARM, DEPTH STOP LINKAGE	161156	1
5	CUP, DEPTH STOP	162582	1
6	ROD END, 1/2" BALL JOINT	162583	2
7	NUT, 1/2 - 20 HEX	162586	2
8	BEARING, 1 X 2 X 1/8 BRONZE THRUST	162623	1
9	COLLAR, SHAFT, 1/2	162633	1
10	U-JOINT, 1.0 OD X 0.5 ID (COMP)	163988	1
11	SCREW, DEPTH STOP	165708	1
12	PIN, 5/16 X 1-1/4 GROOVE	171037	1

MK-4000B Saw
PARTS MANUAL



MK Diamond Products, Inc.

MK Diamond Products, Inc.
1315 Storm Parkway
Torrance, CA 90501

Toll-Free: (800) 421-5830
Phone: (310) 539-5221
Fax: (310) 539-5158
www.mkdiamond.com