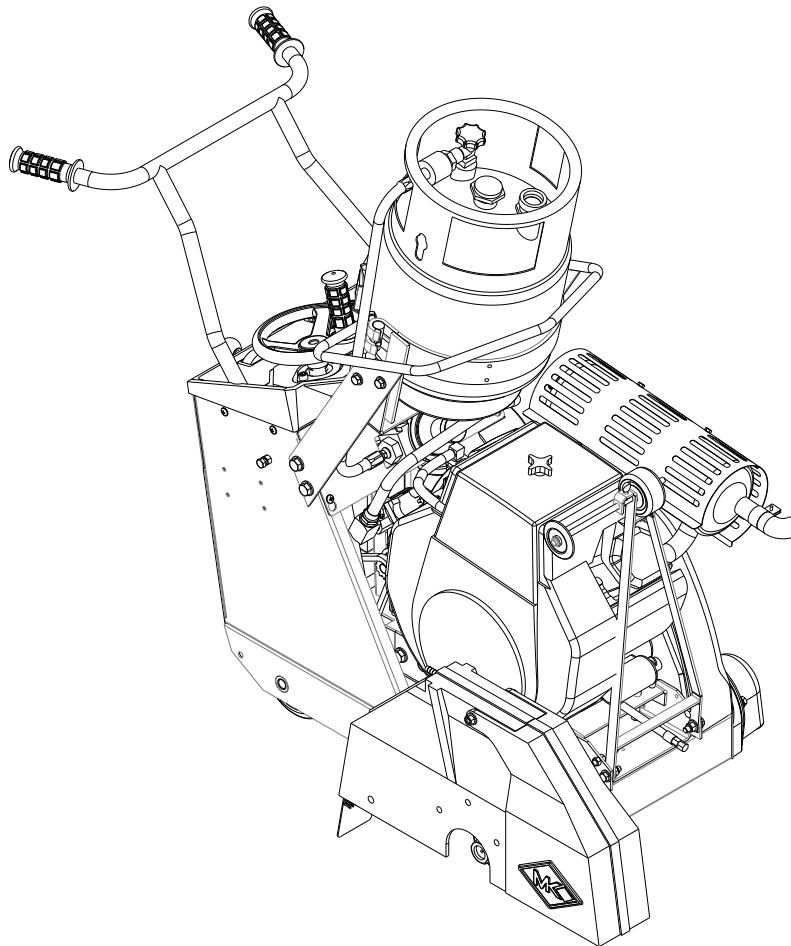


# MK-2025SSP LPG CONCRETE SAW PARTS LIST & EXPLODED VIEWS



Revision 101	06.2015
Manual Part# 168953-PM	

**Caution:** Read all safety and operating instructions before using this equipment. This parts list **MUST** accompany the equipment at all times.

We at MK Diamond want to congratulate you on selecting the MK-2025SSP. We are certain that you will be pleased with your purchase. MK Diamond takes pride in producing the finest products in the industry.

Operated correctly, your MK-2025SSP should provide you with years of quality service. In order to help you, we have included this manual. This owners manual contains information necessary to operate and maintain your MK-2025SSP safely and correctly. Please take a few minutes to familiarize yourself with the MK-2025SSP by reading and reviewing this manual.

If you should have questions concerning your MK-2025SSP, please feel free to call our friendly customer service department at: 800 421-5830

Regards,

MK Diamond

**NOTE THIS INFORMATION FOR FUTURE USE:**

<b>MODEL NUMBER:</b>	
<b>SERIAL NUMBER:</b>	
<b>PURCHASE PLACE:</b>	
<b>PURCHASE DATE:</b>	

**NOTE:** For your (1) one year warranty to be effective, complete the warranty card (including the Serial Number) and mail it in as soon as possible.

# TABLE OF CONTENTS

<b>CONTENTS</b>	<b>PAGE #</b>
<b>FIGURE 1 - MK-2025SSP PROPANE SAW SUBARU P/N 168953</b>	4-5
<b>FIGURE 2 - MK-2025SSP PROPANE SAW SUBARU P/N 168953</b>	6-7
<b>FIGURE 3 - ASSY, ENGINE, EH72LPG P/N 170057</b>	8-9
<b>FIGURE 4 - ASSY, TRANSMISSION P/N 169711</b>	10-11
<b>FIGURE 5 - ASSY, POINTER, CONC SAW P/N 166465</b>	12
<b>FIGURE 6 - ASSY, BLADE GUARD 20" P/N 158818</b>	13
<b>FIGURE 7 - ASSY, FRAME, 20-S LESS ENGINE P/N 170058</b>	14-15
<b>FIGURE 8 - ASSY, FRAME, 20-S LESS ENGINE P/N 170058</b>	16-17
<b>FIGURE 9 - ASSY, FRAME, 20-S LESS ENGINE P/N 170058</b>	18-19
<b>FIGURE 10 - ASSY, BLADE SHAFT, 20HP P/N 156654</b>	20
<b>FIGURE 11 - ASSY, TRUCK P/N 169710</b>	21
<b>FIGURE 12 - ASSY, WATER VALVE P/N 153888</b>	22

FIGURE 1 - PARTS LIST: MK-2025SSP LPG CONCRETE SAW P/N 168953

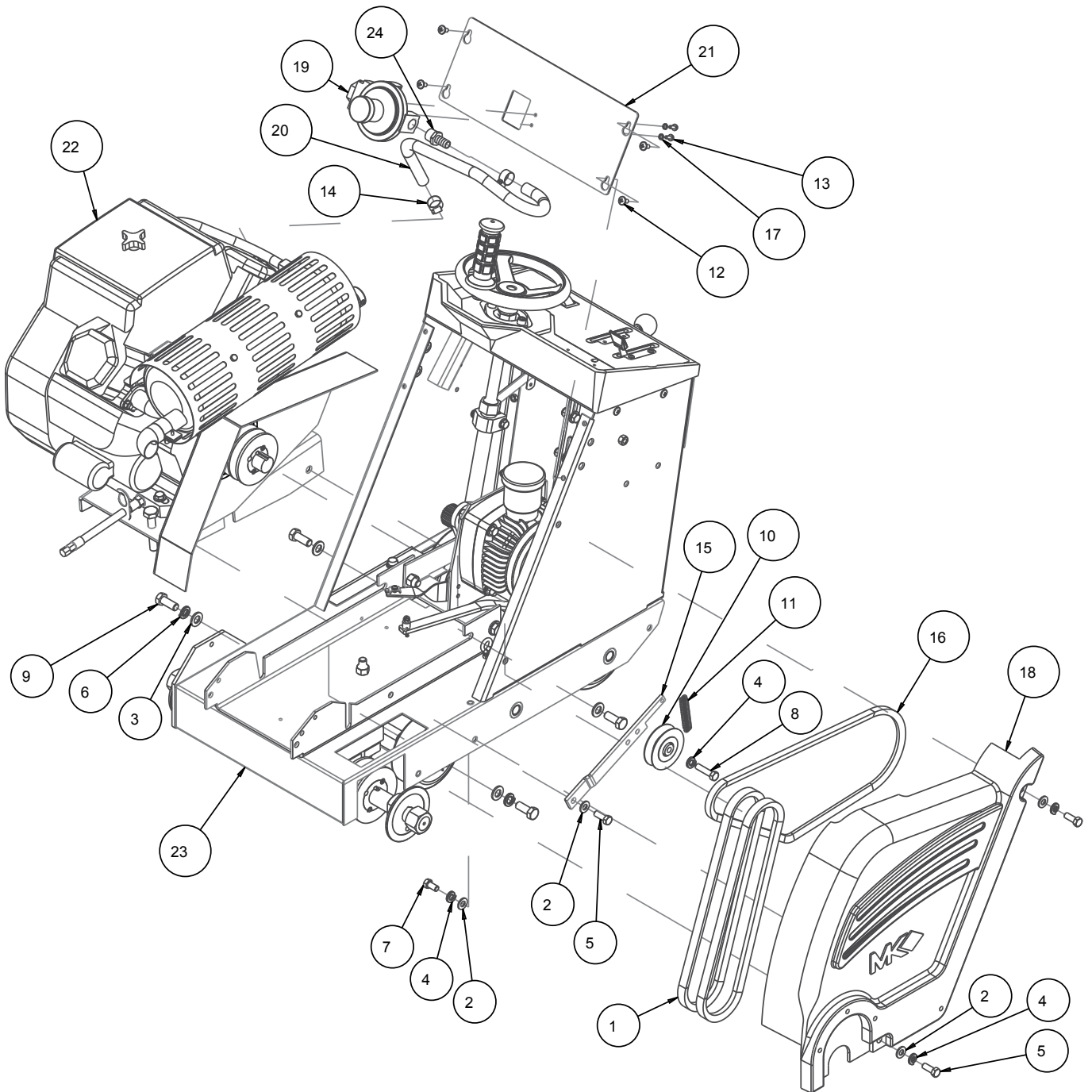


FIGURE 1 - PARTS LIST: MK-2025SSP LPG CONCRETE SAW P/N 168953

ITEM NO.	DESCRIPTION	PART #	QTY. REQ.
1	BELT, BX34	150764	2
2	WASHER, FLAT, SAE, 3/8	150923	4
3	WASHER, LOCK, 1/2 SAE FLAT	150924	4
4	WASHER, LOCK, SPLIT, 3/8	150925	4
5	SCREW, HEX HD CAP, 3/8 - 16 X 1	152507	3
6	WASHER, 1/2 SPLIT LOCK	153524	2
7	SCREW, HEX, 3/8 - 16 X 3/4	153527	1
8	SCREW, 3/8 - 16 X 1 - 1/2 HEX HEAD	153528	1
9	SCREW, 1/2 - 13 X 1 - 1/4 HEX HEAD CAP	153532	4
10	PULLEY, 1A30 X 1/2 BORE IDLER	153797	1
11	SPRING, 9/16 X 2.5 EXTENSION	153807	1
12	SCREW, 1/4 - 20 X 1/2 TRUSS HEAD	153880	4
13	SCREW, HEX HD FL 10 - 24 5/16	154172	2
14	CLAMP, HOSE, 7/8	154173	2
15	BRACKET, IDLER PULLEY	154244	1
16	BELT, AX - 43	156110	1
17	WASHER, LOCK, IT, #10	158336	2
18	CASTING, BELT GRD, SP-C	159888	1
19	REGULATOR, LPG, PRIMARY, COMP	169738	1
20	HOSE, FUEL, LOW PERM, 1/2" ID (22")	169775	1
21	PANEL, FRONT TOWER, LPG	170056	1
22	ASSY, ENGINE, EH72LPG	170057	1
23	ASSY, FRAME, 20-S LESS ENGINE	170058	1
24	FITTING, 1/2 MNPT X 1/2 BARB	170396	1

FIGURE 2 - PARTS LIST: MK-2025SSP LPG CONCRETE SAW P/N 168953

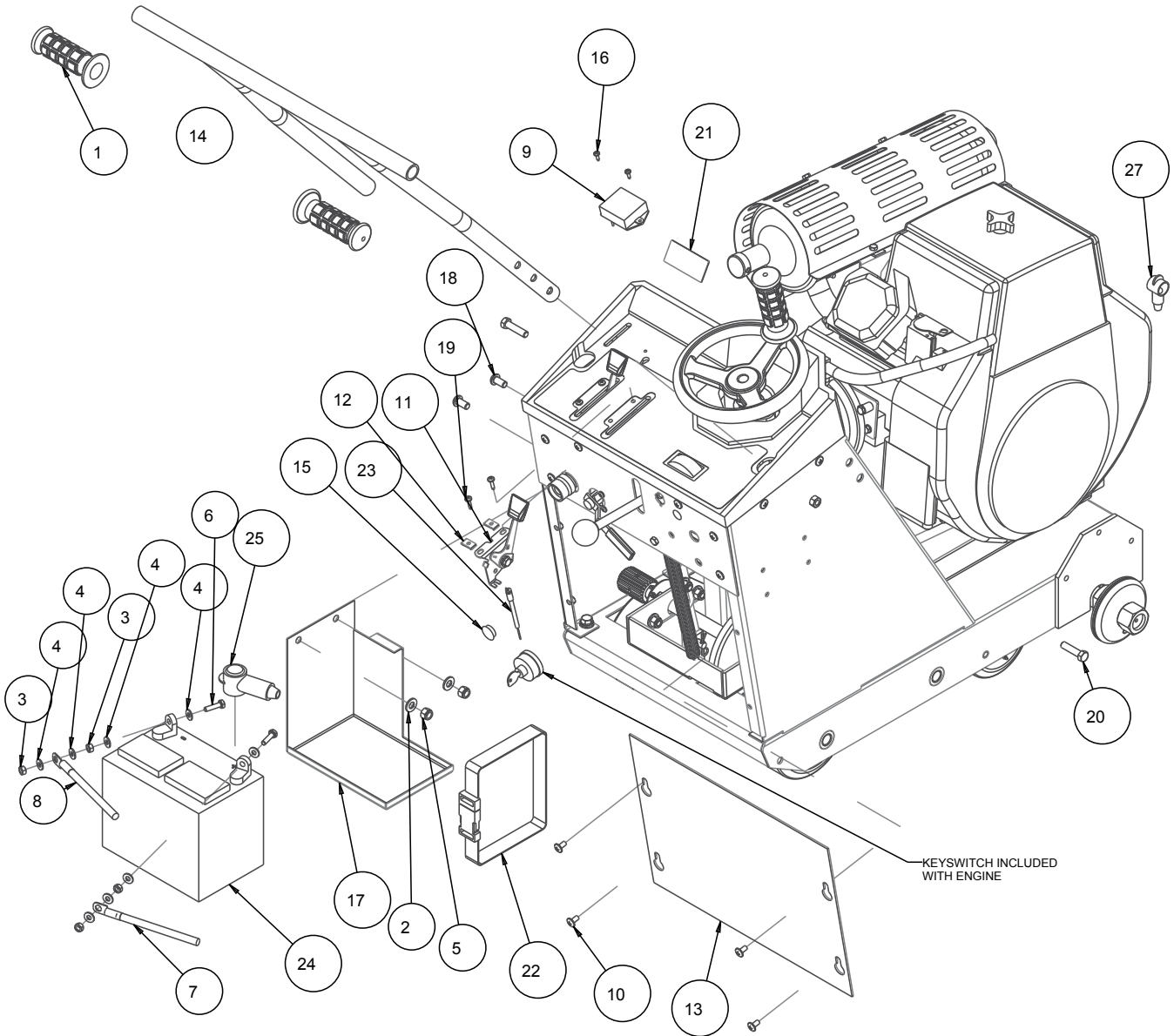
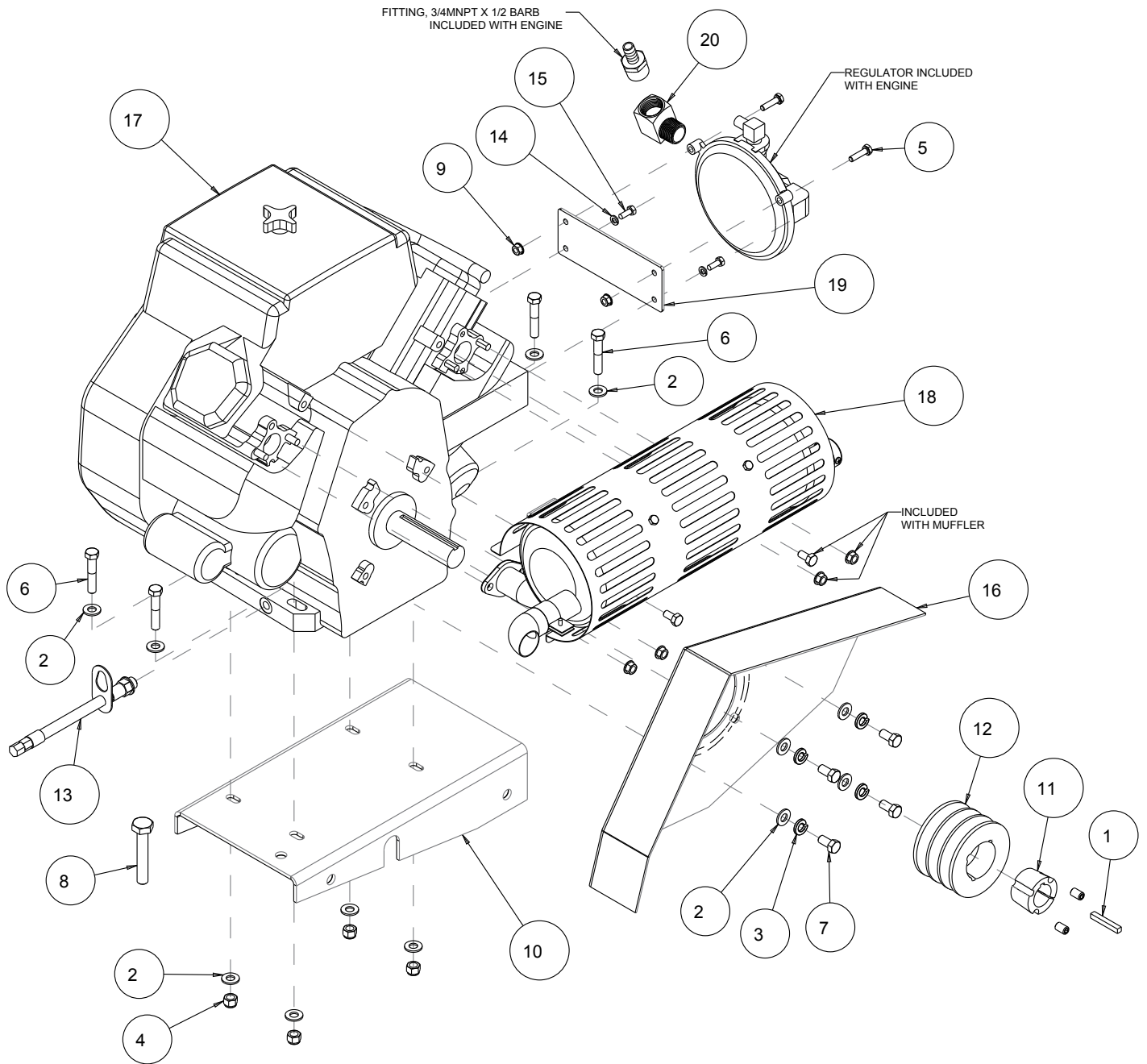


FIGURE 2 - PARTS LIST: MK-2025SSP LPG CONCRETE SAW P/N 168953

ITEM NO.	DESCRIPTION	PART #	QTY. REQ.
1	GRIP, HANDLE, 1.0 LD	150842	2
2	WASHER, FLAT, SAE, 3/8	150923	2
3	NUT, HEX, 1/4 - 20	151893	4
4	WASHER, LOCK, SPLIT, 1/4	151915	8
5	NUT, HEX, NYLK, 3/8 - 16	152505	2
6	SCREW, HEX HD CAP, 1/4 - 20 X 1	152676	2
7	CABLE, 4GA X 48 RED BATTERY	153848	1
8	CABLE, 4GA X 24 BLACK BATTERY	153849	1
9	TACHOMEVER/HOURMETER	153877	1
10	SCREW, 1/4 - 20 X 1/2 TRUSS HEAD	153880	4
11	ASSY, THROTTLE CONTROL	155406	1
12	NUT, 10 - 24 CLIP	155407	2
13	PANEL, TOWER LOWER	156505	1
14	WELDMENT, HANDLEBAR	156516	1
15	PLUG, HOLE PLASTIC 3/4"	156615	1
16	SCREW, PAN HD SELF TAP 8 - 32 X 1/2	156632	2
17	BOX, BATTERY	156634	1
18	SCREW, BTN HD 3/8 - 16 X 3/4 SOCK	156635	2
19	SCREW, PAN HD PHIL MS 10 - 24 X 3/4	156641	2
20	SCREW, HEX HEAD 3/8 - 16 X 1 - 1/2 LG.	156656	2
21	TAG, SERIAL NUMBER, BLANK	157500-RW	1
22	STRAP, NYLON, 1"	158094	1
23	CABLE, THROTTLE, 20HP HONDA (COMP)	158815	1
24	BATTERY, 12V, 35AH	162589	1
25	COVER, 1" BATTERY TERMINAL, RED	163940	1
26	SLEEVE, SPLIT LOOM, 5.8" ID (36")	167662	1
27	COVER, 8 - 4 AWG TERMINAL, RED	168355	1
28	WIRE HARNESS, EXTENSION, 39"	170736	1

FIGURE 3 - PARTS LIST: MK-2025SSP LPG ASSY. ENGINE, EH72LPG P/N 170057





**FIGURE 3 - PARTS LIST: MK-2025SSP LPG ASSY. ENGINE, EH72LPG P/N 170057**

ITEM NO.	DESCRIPTION	PART #	QTY. REQ.
1	KEY, 1/4 SQR X 1 - 3/4	150796	1
2	WASHER, FLAT, SAE, 3/8	150923	12
3	WASHER, LOCK, SPLIT, 3/8	150925	4
4	NUT, HEX, NYLK, 3/8 - 16	152505	4
5	SCREW, HEX HD, TAP, 1/4 - 20 X 1	152676	2
6	SCREW, HEX HD, CAP, 3/8 - 16 X 2	153485	4
7	SCREW, HEX, 3/8 - 16 X 3/4	153527	4
8	SCRW, HEX HD, TAP, 1/2 - 13 X 3	153854	1
9	NUT, HEX, TW, 1/4 - 20	153941	2
10	MOUNT, ENGINE	154237	1
11	BUSHING, TPR-LOCK 1210 X 1 - 1/8"	154430	1
12	PULLEY, 3A30B34 X 1210TB REV	155009	1
13	HOSE, OIL DRAIN, M14	157577-03	1
14	WASHER, LOCK, SPLIT, M6	158159	2
15	SCREW, HEX HD, CAP, M6 - 1 X 16MM	164219	2
16	PLATE, BELT GUARD, INNER	165608	1
17	ENGINE, SUBARU EH72LPG	168906	1
18	MUFFLER, ENGINE, 22/25HP SUBARU	168908	1
19	PLATE, LPG REGULATOR MOUNT	170053	1
20	ELBOW, STREET, 3/4 BRASS	170055	1

FIGURE 4 - PARTS LIST: MK-2025SSP LPG TRANSMISSION P/N 169711

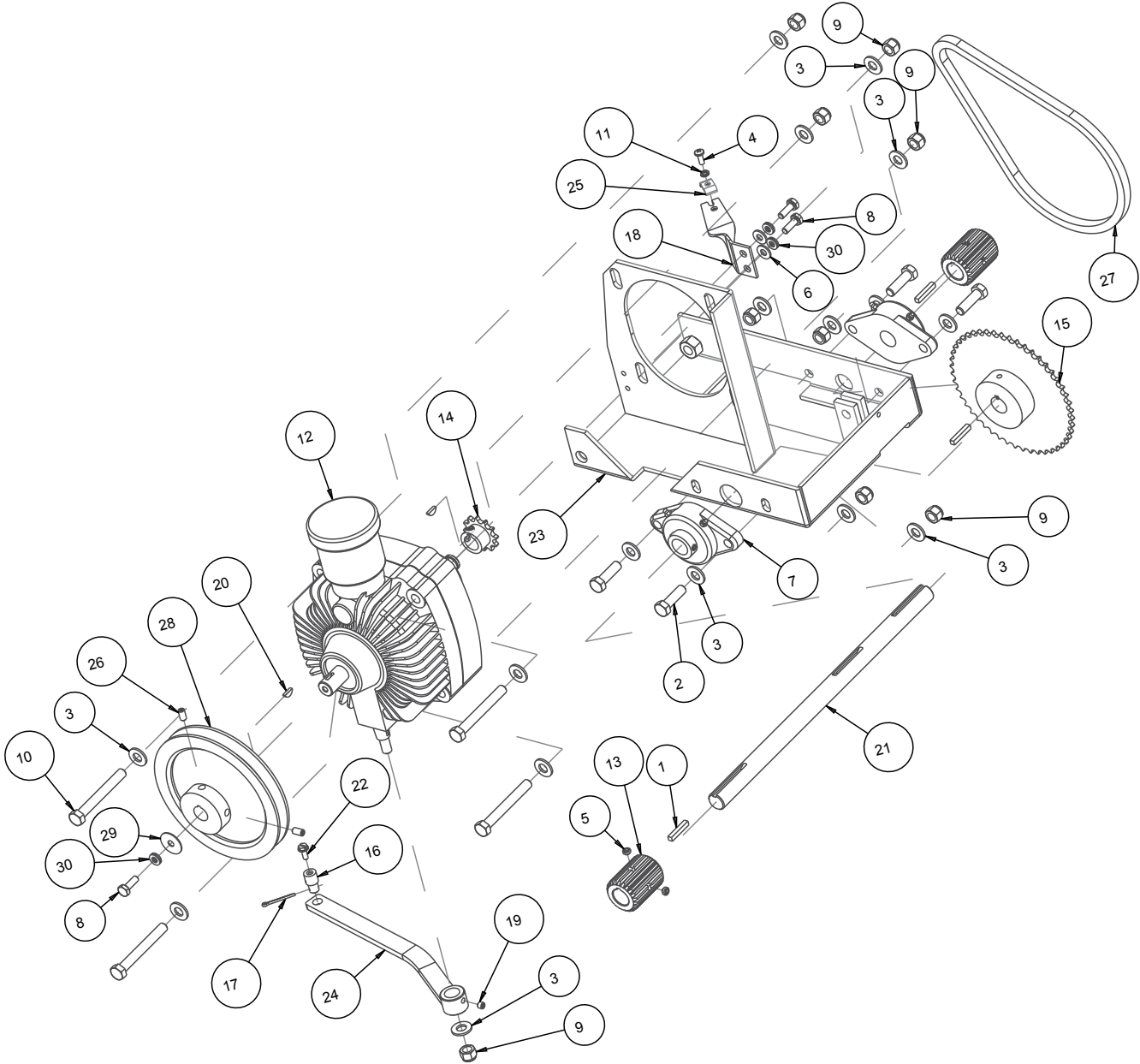
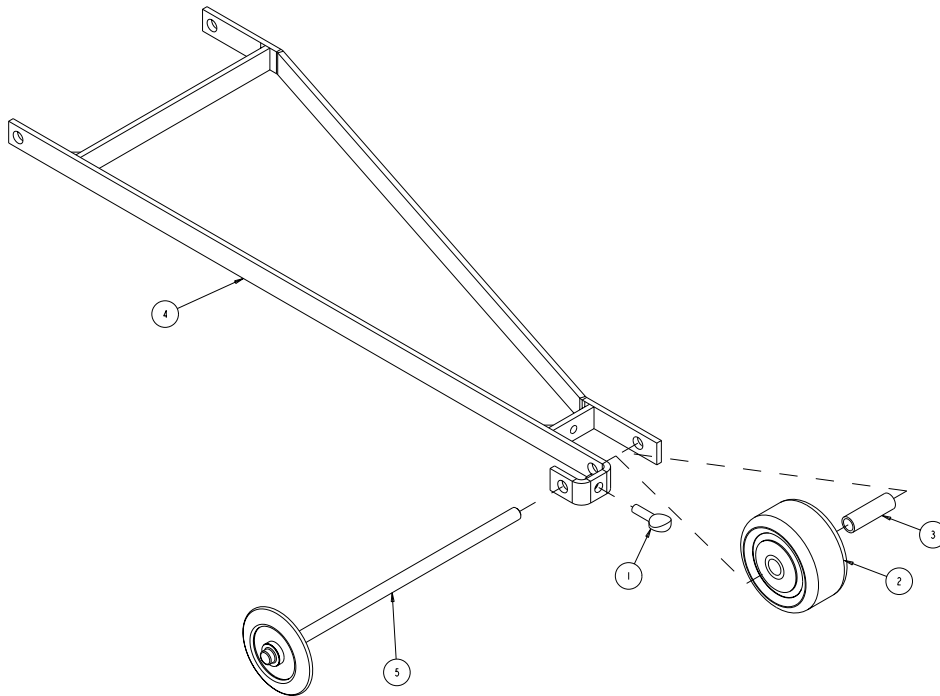


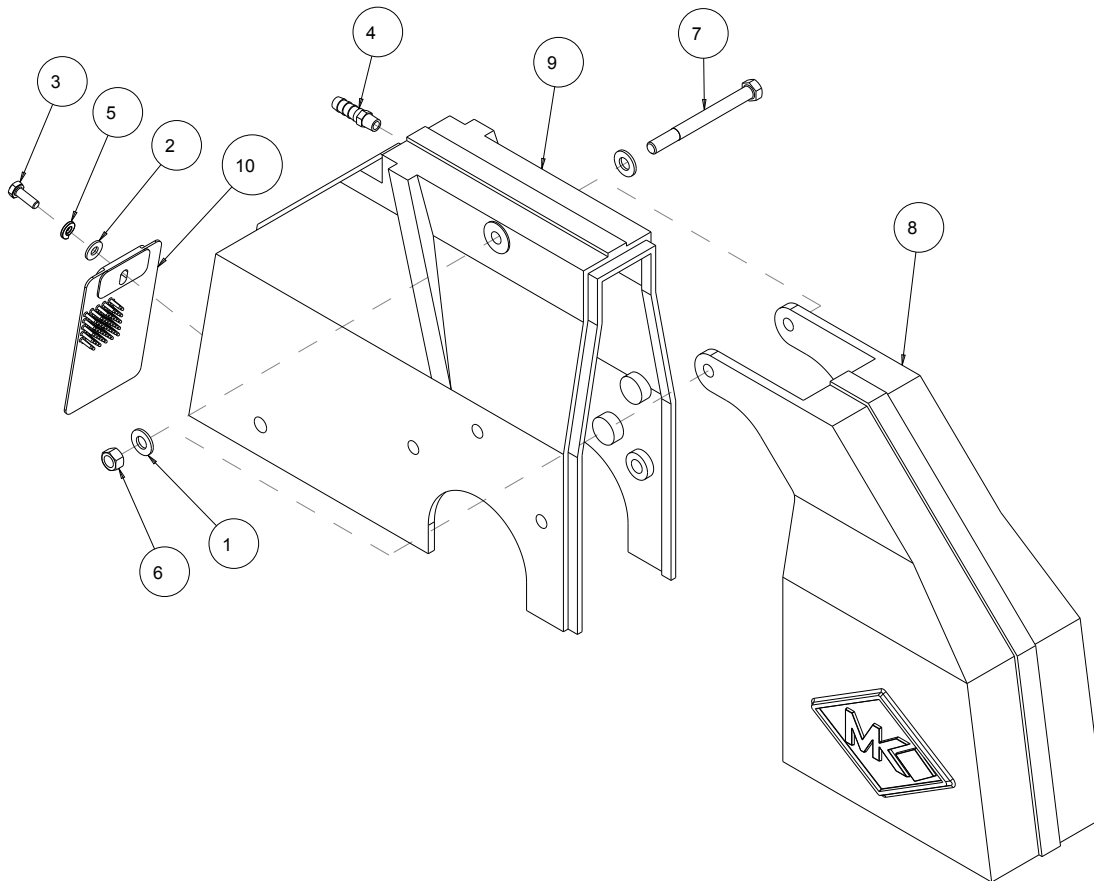
FIGURE 4 - PARTS LIST: MK-2025SSP LPG TRANSMISSION P/N 169711

ITEM NO.	DESCRIPTION	PART #	QTY.
1	KEY, 3/16 SQ X 1 - 1/8	150344	3
2	SCREW, 3/8 - 16 X 1 - 1/4 HEX HEAD CAP	150774	4
3	WASHER, FLAT, SAE, 3/8	150923	17
4	SCREW, PAN HD, 10 - 32 X 1/2	151052	1
5	SCREW, SET, CUP PT, 5/16 - 18 X 3/16	151167	4
6	WASHER, 1/4 SAE FLAT	151915	2
7	BEARING, Ø 3/4 FLANGE	152025	2
8	SCREW, HEX HD, 1/4 - 20 X 3/4	152370	2
9	NUT, 3/8 - 16 NYLOK HEX	152505	9
10	SCREW, 3/8 - 16 X 3 HEX HEAD CAP	153113	4
11	WASHER, #10 SPLIT LOCK	153684	1
12	PUMP, TRANSMISSION	153783	1
13	SPLINE, 1 - 1/2 X 2	153786	2
14	SPROCKET, #35-B12 X 17 MM BORE	153811	1
15	SPROCKET, #35-B12 X 17 MM BORE	153812	1
16	PIN, WIRE STOP	153842	1
17	PIN, COTTER 1/8 X 1 - 1/2	153860	1
18	BRACKET, TRANS CONTROL	153862	1
19	SCREW, SET CNE PT 1/4 - 20 X 1/4	153864	1
20	KEY, WOODRUFF, 1/8 X 1/2	153865	2
21	SHAFT, FRICTION DRIVE	153891	1
22	SCREW, HEX HD FL 10 - 24X 5/16	154172	1
23	MOUNT, TRANS	154230	1
24	LEVER, TRANS CONTROL	154238	1
25	CLAMP, CABLE	154383	1
26	SCREW, 1/4 - 20 X 1/2 SOCKET HEAD SET	155804	2
27	CHAIN, ROLLER	156309	1
28	PULLEY, A6.2 X 17 MM BORE, OFFSET	164565	1
29	WASHER, FENDER, 1/4 X 1	169049	1
30	WASHER, CHROMATE, 1/4 PAIR	169693	3

**FIGURE 5 - PARTS LIST: MK-2025SSP LPG POINTER P/N 166465**

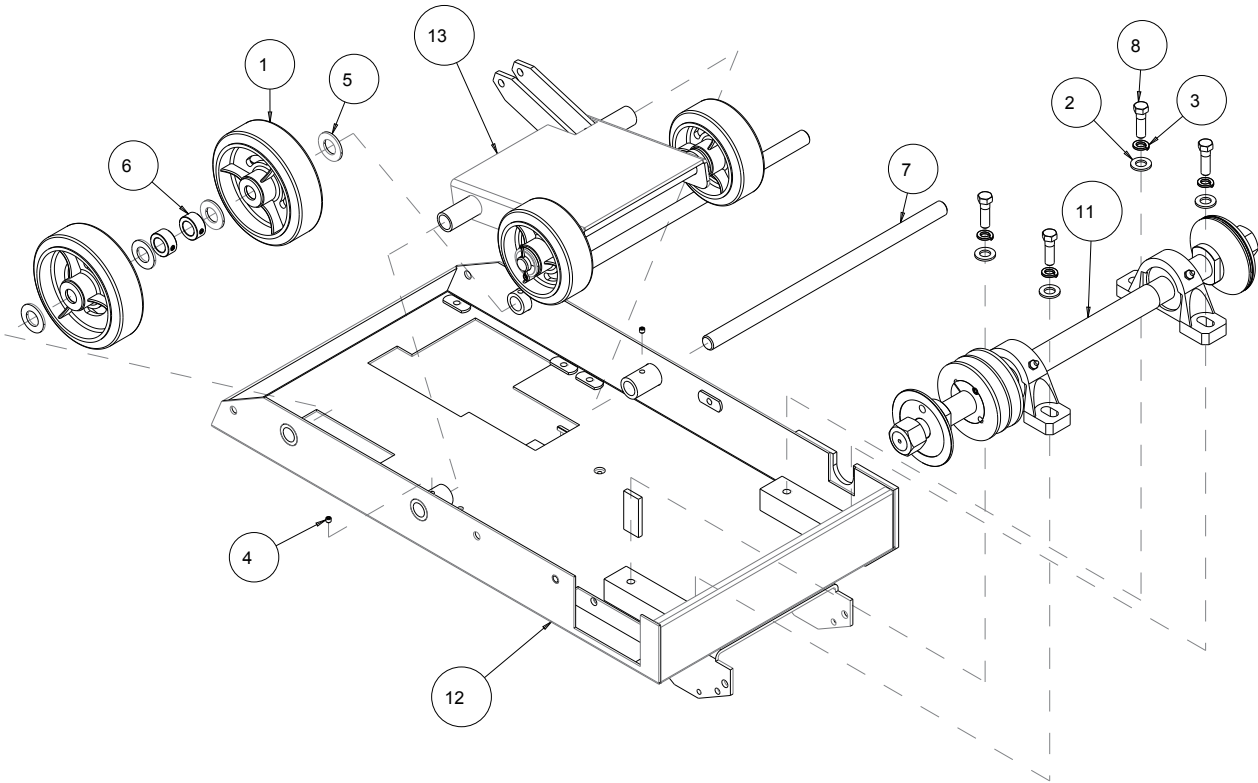


ITEM NO.	DESCRIPTION	PART #	QTY. REQ.
1	SCREW, THUMB 1/4 - 20 X 3.4	150991	1
2	WHEEL, POINTER, 3"	155066	1
3	BUSING, 3/8ID X 1- 5/8L	155153	1
4	POINTER ARM, CONC SAW	156544	1
5	ASSY, POINTER WHEEL	165238	1

**FIGURE 6 - PARTS LIST: MK-2025SSP LPG 20" BLADE GUARD P/N 158818**

ITEM NO.	DESCRIPTION	PART #	QTY. REQ.
1	WASHER, FLAT, SAE, 3/8	150923	2
2	WASHER, FLAT, SAE, 1/4	151915	1
3	SCREW, HEX HD, 1/4 - 20 X 3/4	152370	1
4	FITTING, 1/8 MNPT X 3.8 BARB	152501	1
5	WASHER, LOCK, SPLIT, 1/4	152591	1
6	NUT, 3/8 - 16 HEX CENTERLOCK	153522	1
7	SCREW, HEX HD, 3.8 - 16 X 4	153531	1
8	CASTING, BLD GRD, 20" FR - C	154062	1
9	CASTING, BLD GRD, 20IN RR - C	156781	1
10	GUARD, SPLASH	160310	1

FIGURE 7 - PARTS LIST: MK-2025SSP LPG CONCRETE SAW P/N 170058



**FIGURE 7 - PARTS LIST: MK-2025SSP LPG CONCRETE SAW P/N 170058**

ITEM NO.	DESCRIPTION	PART #	QTY. REQ.
1	WHEEL, REAR CONCRETE SAAW	138529	2
2	WASHER, 1/2 SAE FLAT	150924	4
3	WASHER, 7/16 SPLIT LOCK	151051	4
4	SCREW, 5/16 - 18 X 1/2 SOCKET HEAD SET	152607	2
5	WASHER, FLAT, SAE, 3/4	153523	4
6	COLLAR, SET, 3/4"	153814	2
7	AXLE, REAR, Ø 3/4	153873	2
8	SCREW, 7/16 - 14 X 1-1/2 SOCKET HEAD SET	155155	4
9	ASSY, THROTTLE CONTROL	155406	1
10	ASSY, PIN CLEVIS 3/8 X 1 -1/4	156611	1
11	ASSY, BLADE SHAFT, 20HP	156654	1
12	FRAME, WELDMENT	157092	1
13	ASSY, TRUCK	169710	1

FIGURE 8 - PARTS LIST: MK-2025SSP LPG CONCRETE SAW P/N 170058

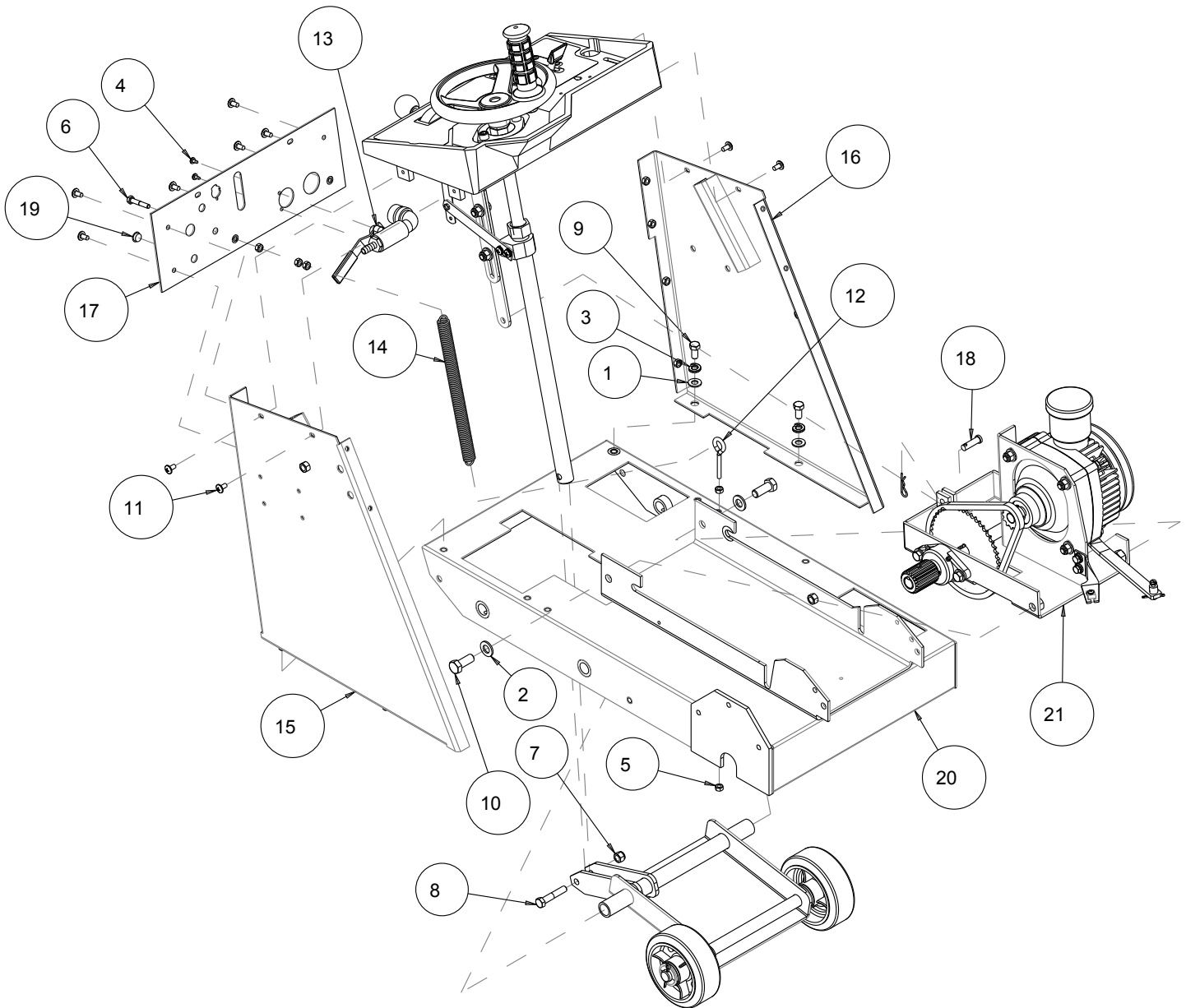




FIGURE 8 - PARTS LIST: MK-2025SSP LPG CONCRETE SAW P/N 170058

ITEM NO.	DESCRIPTION	PART #	QTY. REQ.
1	WASHER, FLAT, SAE, 3/8	150923	13
2	WASHER, 1/2 SAE FLAT	150924	2
3	WASHER, LOCK, SPLIT, 3/8	150925	4
4	SCREW, PAN HD SELF TP10-24 X 3/8	151262	2
5	NUT, HEX, 1/4 - 20	151893	6
6	SCREW, HEX HEAD 1/4 - 20 X 1 - 1/2"	151914	1
7	NUT, HEX, NYLK, 3/8 - 16	152505	6
8	SCREW, HEX HD, CAP, 3/8 - 16 X 2	153485	2
9	SCREW, HEX, 3/8 - 16 X 3/4	153527	4
10	SCREW, 1/2 - 13 C 1 - 1/4 HEX HEAD CAP	153532	2
11	SCREW, 1/4 - 20 X 1/2 TRUSS HEAD	153880	10
12	EYEBOLT, 1/4 - 20 X 2	153887	1
13	ASSY, WATER VALVE	153888	1
14	SPRING, EXTENSION	153957	1
15	PANEL, SIDE COV R HND	156500	1
16	PANEL, SIDE COV L HND	156501	1
17	PANEL, TOWER UPPER BACK	156504	1
18	ASSY, PIN CLEVIS 3/8 X 1 - 1/4	156611	1
19	PLUG, 1/2 FLUSH HEAD BUTTON	156779	1
20	FRAME, WLEDMENT	157092	1
21	ASSY, TRANSMISSION	169711	1

FIGURE 9 - PARTS LIST: MK-2025SSP LPG CONCRETE SAW P/N 170058

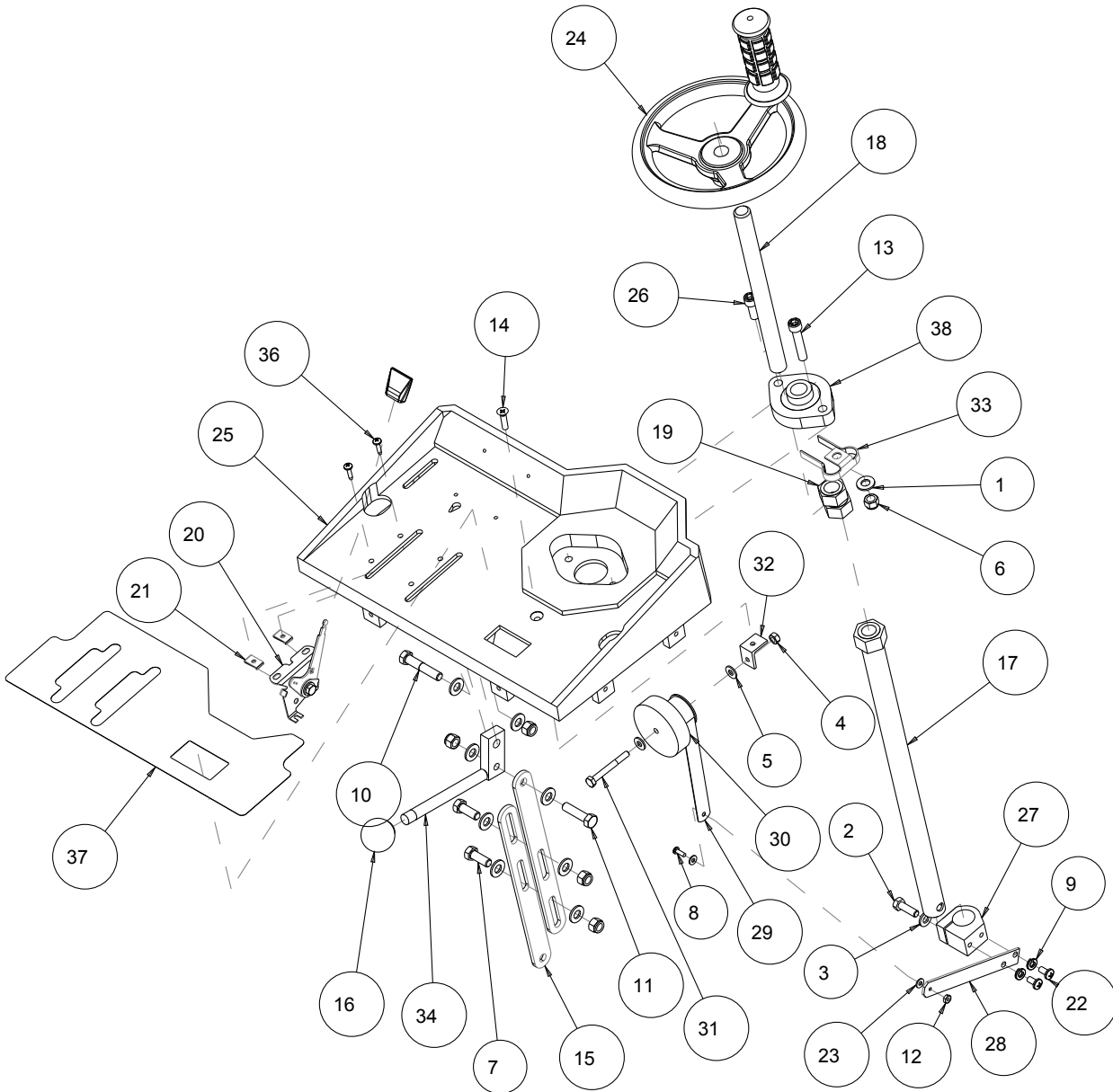
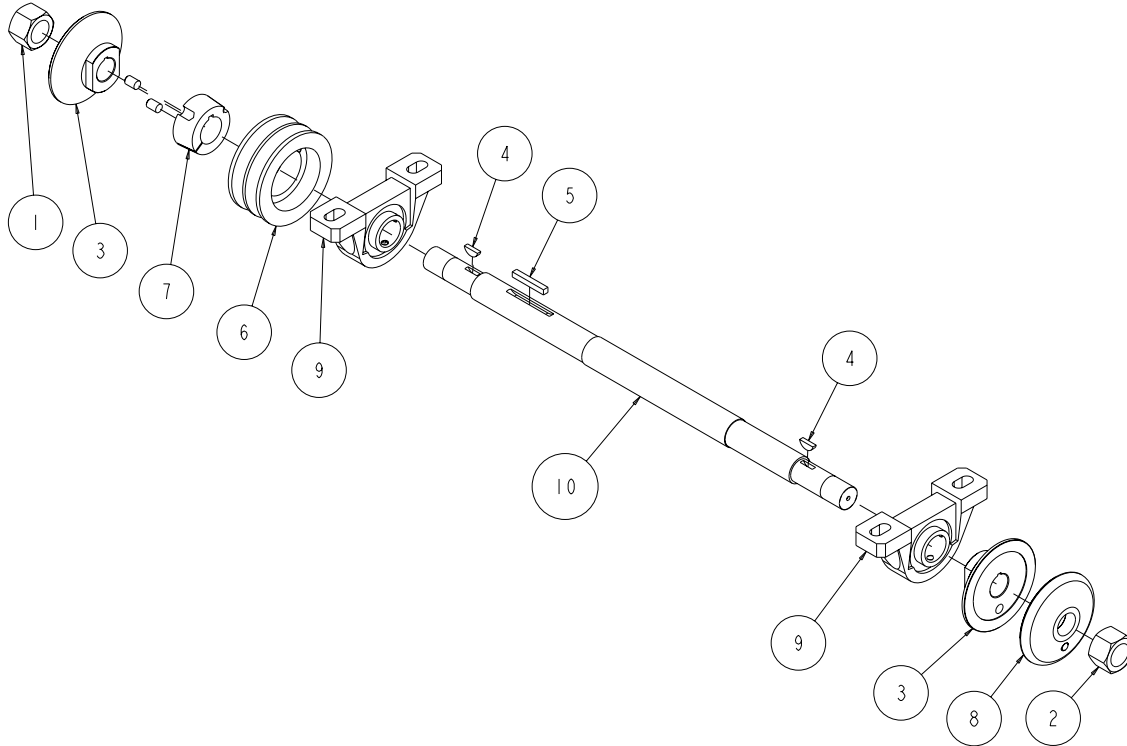


FIGURE 9 - PARTS LIST: MK-2025SSP LPG CONCRETE SAW P/N 170058

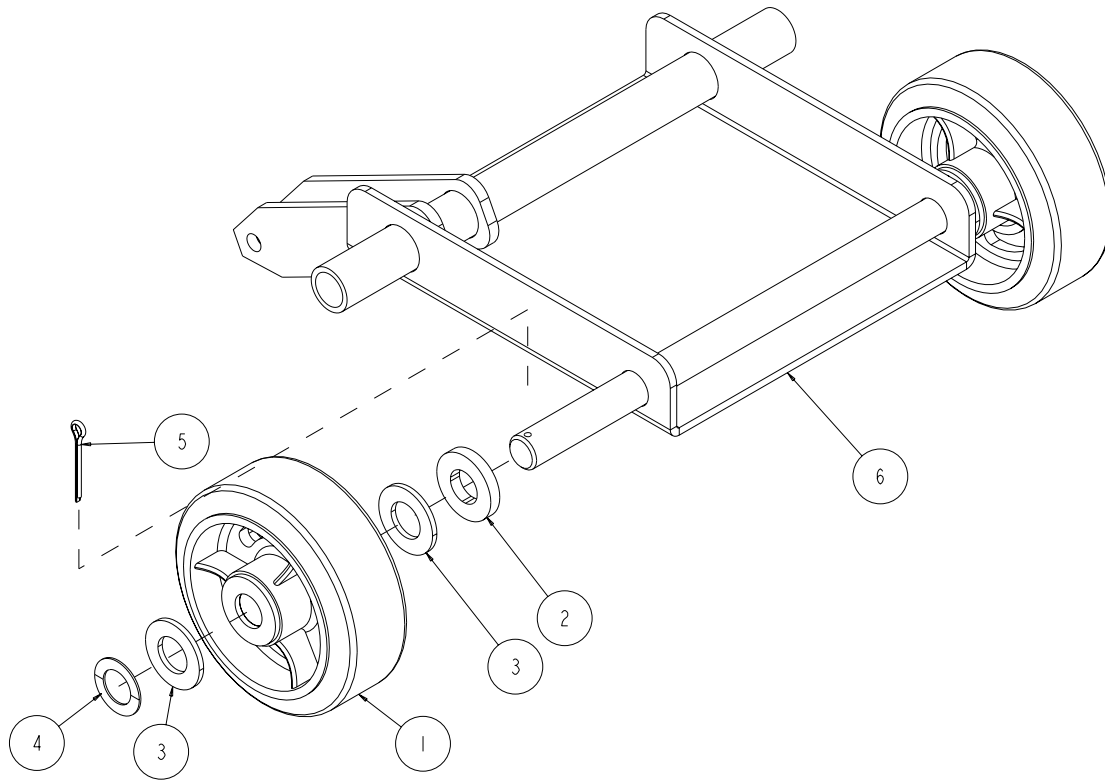
ITEM NO.	DESCRIPTION	PART #	QTY. REQ.
1	WASHER, FLAT, SAE, 3/8	150923	9
2	SCREW, HEX HD, 5/16 - 18 X 1	151743	1
3	WASHER, FLAT, SAE, 5/16	151754	1
4	NUT, HEX, 1/4 - 20	151893	1
5	WASHER, FLAT, SAE, 1/4	151915	2
6	NUT, HEX, NYLK, 3/8 - 16	152505	5
7	SCREW, HEX HD CAP, 3/8 - 16 X 1	152507	2
8	SCREW, RND HD, #8 - 32 X 1/2	152517	1
9	WASHER, LOCK, SPLIT, 1/4	152591	2
10	SCREW, HEX HD, CAP, 3/8 - 16 X 2	153485	1
11	SCREW, 3/8 - 16 X 1 - 1/2 HEX HEAD	153528	1
12	NUT, HEX, 8 - 32	153549	1
13	SCREW, SOC, HD, CAP, 3/8 - 16 X 2	153643	1
14	SCREW, FLAT HD. SOC. 1/4 - 20 X 1"	153894	1
15	ARM, DRIVE ADJUSTMENT	154242	2
16	KNOB, 1/2 - 20 FEM BALL	154486	1
17	LINKAGE, DPTH FEED 1600/9000	155049	1
18	STUD, 3/4 - 10 X 10"	155062	1
19	NUT, 3/4 - 10 X 10"	155063	2
20	ASSY, THROTTLE CONTROL	155406	1
21	NUT, 10 - 24 CLIP	155407	2
22	SCREW, PAN HD, CAP, 1/4 - 20 x 1/2	155452	2
23	WASHER, FLAT, SAE, #8	155454	2
24	ASSY, CRANK WHEEL, 3/4 - 10	155457	1
25	PANEL, CONTROL (COMP)	156305	1
26	SCREW, SOCKET HEAD CAP 3/8 - 16 X 1	156602	1
27	CLAMP, DEPTH INDICATOR	156603	1
28	ARM, DEPTH INDICATOR	156604	1
29	SPRING, DEPTH GAUGE	156605	1
30	SPOOL, 2.75 DIA DEPTH INDICATOR	156606	1
31	SCREW, HEX HD, CAP, 1/4 - 20 X 2 - 1/4	156607	1
32	BRACKET, DEPTH INDICATOR	156608	1
33	SPRING, DETENT	156609	1
34	HANDLE, ENGAGE	156610	1
35	ASSY, PIN CLEVIS 3/8 X 1 - 1/4	156611	1
36	SCREW, PAN HD PHIL MS 10 - 24 X 3/4	156641	2
37	LABEL, CONTROL PANEL	165136	1
38	BEARING, FLANGE, 3/4ID, FD204	165971	1

**FIGURE 10 - PARTS LIST: MK-2025SSP LPG ASSY. BLADE SHAFT P/N 156654**



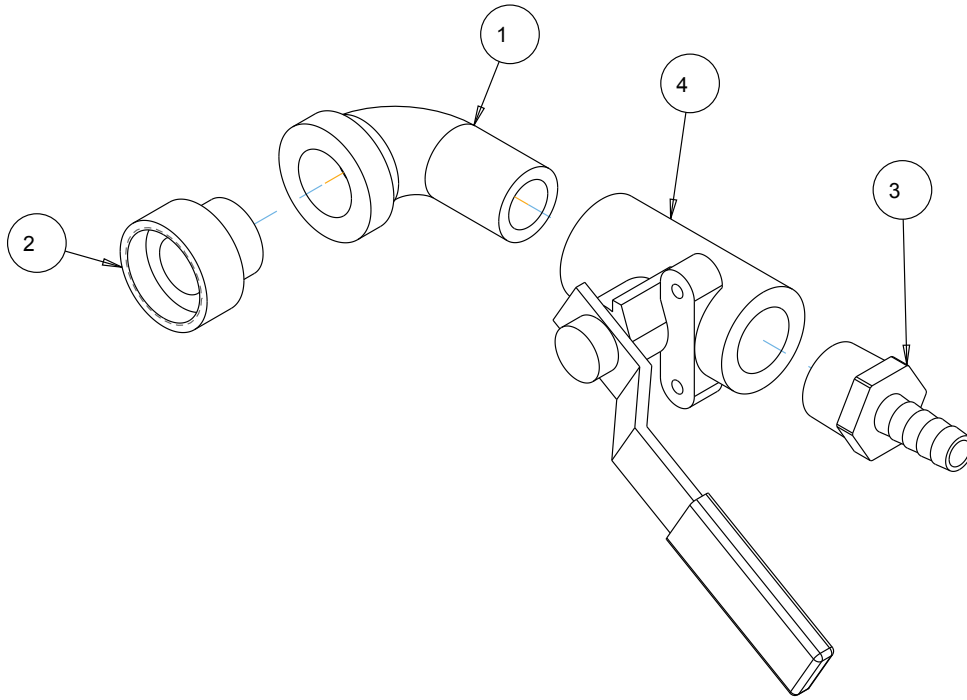
ITEM NO.	DESCRIPTION	PART #	QTY. REQ.
1	NUT, 1 - 14 RIGHT HAD	138693	1
2	NUT, 1 - 14 LEFT HAND	138701	1
3	FLANGE, INNER	150731	2
4	KEY, 3/16 X 3/4 WOODRUFF	150794	2
5	KEY, SQUARE, 1/4 X 1 - 3/4	150796	1
6	PULLEY, 2A34B38 X 1610TB	155010	1
7	BUSHING, TPR-LOCK 1610 X 1 - 3/16"	155011	1
8	ASSY, OUTER FLANGE, 4"	155451	1
9	BEARING, 1 - 3/6 ID PILLOW BLOCK	155622	2
10	SHAFT, 1 3/16 BLADE	156599	1

FIGURE 11 - PARTS LIST: MK-2025SSP LPG ASSY. TRUCK P/N 169710



ITEM NO.	DESCRIPTION	PART #	QTY. REQ.
1	WHEEL, FRONT 5" X 2" W	138537	2
2	SPACE, GUIDE BAR COVER, COMMON	152393	2
3	WASHER, FLAT, SAE, 3/4	153523	4
4	SHIM, .045 THK .750 ID 1.250 OD	153699	2
5	PIN, COTTER 1/8 X 1 - 1/2	153861	2
6	TRUCK, FRONT	154231	1

**FIGURE 12 - PARTS LIST: MK-2025SSP LPG ASSY. WATER VALVE P/N 153888**



ITEM NO.	DESCRIPTION	PART #	QTY. REQ.
1	ELBOW, 1/2 MNPT 90 STREET, GLAV	150844	1
2	FITTING, 1/2 MNPT X 3/4 FNH	151322	1
3	FITTING, 1/2 MNPT X 3/8 BARB	153653	1
4	VALVE, BALL 1/2"	153796	1

## NOTES

**MK-2025SSP LPG CONCRETE SAW**  
**PARTS MANUAL**



**MK Diamond Products, Inc.**

MK Diamond Products, Inc.  
1315 Storm Parkway  
Torrance, CA 90501

Toll-Free: (800) 421-5830  
Phone: (310) 539-5221  
Fax: (310) 539-5158  
[www.mkdiamond.com](http://www.mkdiamond.com)