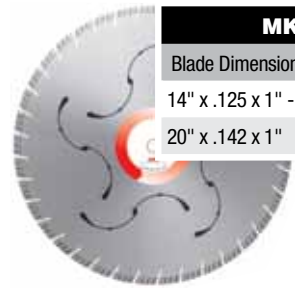





# DRY CUTTING BLADE SELECTION CHART (10" - 20")


## Dry Cutting Diamond Blades: Hard/Dense/Non-Abrasive Materials - Granite/Brick/Pavers/Cobblestone/Bluestone




MK- 925DSLX	
Blade Dimensions	MK Part #
14" x .125 x 1" - 20mm	161283
20" x .142 x 1"	160971



MK- 742DSL	
Blade Dimensions	MK Part #
14" x .125 x 1" - 20mm	162552




MK- 414PB	
Blade Dimensions	MK Part #
10" x .090 x DM - 5/8"	159816
12" x .125 x 1" - 20mm	159817
14" x .125 x 1" - 20mm	159629
16" x .125 x 1" - 20mm	165938
18" x .142 x 1"	168711
20" x .142 x 1"	167693




MK- 414D	
Blade Dimensions	MK Part #
10" x .095 x DM - 5/8"	151406
12" x .125 x 1" - 20mm	150624
14" x .125 x 1" - 20mm	151391
16" x .125 x 1" - 20mm	151165
18" x .142 x 1"	140269
20" x .142 x 1"	137349


## Dry Cutting Diamond Blades: General Purpose - Granite/Brick/Pavers/Cobblestone/Concrete/Bluestone/Block




MK- 762 DMX	
Blade Dimensions	MK Part #
12" x .125 x 1"w/ph - 20mm	161291
14" x .125 x 1"w/ph - 20mm	161293
16" x .125 x 1"w/ph - 20mm	161294
18" x .142 x 1"w/ph	161295
20" x .142 x 1"w/ph	161296




TPX- 40	
Blade Dimensions	MK Part #
10" x .090 x 7/8" - 5/8"	168490
12" x .125 x 1"w/ph - 20mm	168491
14" x .125 x 1"w/ph - 20mm	168492
16" x .125 x 1"w/ph - 20mm	168493
18" x .125 x 1"w/ph	168494
20" x .142 x 1"w/ph	168495



Vector Plus™	
Blade Dimensions	MK Part #
10" x .090 x 7/8"	168330
12" x .125 x 1"w/ph - 20mm	168331
14" x .125 x 1"w/ph - 20mm	168332
16" x .125 x 1"w/ph - 20mm	168333
18" x .142 x 1"w/ph - 20mm	168334
20" x .142 x 1"w/ph - 20mm	168335




TLX	
Blade Dimensions	MK Part #
10" x .118 x DM - 7/8" - 5/8"	171167
12" x .135 x 1"w/ph - 20mm	171168
14" x .142 x 1"w/ph - 20mm	171169




Vector™	
Blade Dimensions	MK Part #
10" x .090 x DM 7/8" - 5/8"	168305
12" x .115 x 1"w/ph - 20mm	169241
14" x .120 x 1"w/ph - 20mm	167150
16" x .130 x 1"w/ph - 20mm	168307
18" x .142 x 1"w/ph	168308
20" x .142 x 1"w/ph	168309

## Dry Cutting Combination Diamond Blades: Concrete/Asphalt over Concrete/Asphalt/Green Concrete




MK- 699D	
Blade Dimensions	MK Part #
12" x .125 x 1"w/ph - 20mm	160930
14" x .125 x 1"w/ph - 20mm	160932
16" x .125 x 1"w/ph - 20mm	162838
18" x .142 x 1"w/ph	153491
20" x .155 x 1"w/ph	168166




Vector Plus Asphalt	
Blade Dimensions	MK Part #
12" x .125 x 1"w/ph - 20mm	169302
14" x .125 x 1"w/ph - 20mm	169299
16" x .125 x 1"w/ph - 20mm	169301

## Dry Cutting Diamond Blades: Asphalt/Green Concrete/Overlay/Block - No Cured Concrete




MK- 485D	
Blade Dimensions	MK Part #
12" x .125 x 1"w/ph - 20mm	150619
14" x .125 x 1"w/ph - 20mm	150620
16" x .125 x 1"w/ph - 20mm	153377
18" x .125 x 1"w/ph	151396
20" x .125 x 1"w/ph	152996

other widths available




MK- 465D	
Blade Dimensions	MK Part #
12" x .125 x 1"w/ph - 20mm	150617
14" x .125 x 1"w/ph - 20mm	150618
16" x .125 x 1"w/ph - 20mm	154064
18" x .142 x 1"w/ph	153550

other widths available




MK- 365D	
Blade Dimensions	MK Part #
12" x .125 x 1"w/ph - 20mm	152780
14" x .125 x 1"w/ph - 20mm	152781

## Dry Cutting Multi-Application Diamond Blade: Granite/Brick/Pavers/Cobblestone/Concrete/Bluestone/Block/Asphalt/Green Concrete




TPX - 40	
Blade Dimensions	MK Part #
10" x .090 x DM - 7/8" - 5/8"	168490
12" x .125 x 1"w/ph - 20mm	168491
14" x .125 x 1"w/ph - 20mm	168492
16" x .125 x 1"w/ph - 20mm	168493
18" x .125 x 1"w/ph	168494
20" x .142 x 1"w/ph	168495

## Dry Cutting Multi-Purpose Blades: Wood/Plastic/Steel/Concrete/Masonry/Ductile Pipe



MK-404RCK	
Blade Dimensions	MK Part #
12" x .125 x 1"w/ph	162716
14" x .125 x 1"w/ph	162550
16" x .125 x 1"w/ph	168079



MK-304RCK	
Blade Dimensions	MK Part #
12" x .125 x 1"w/ph	163930
14" x .125 x 1"w/ph	163931
16" x .125 x 1"w/ph	167423